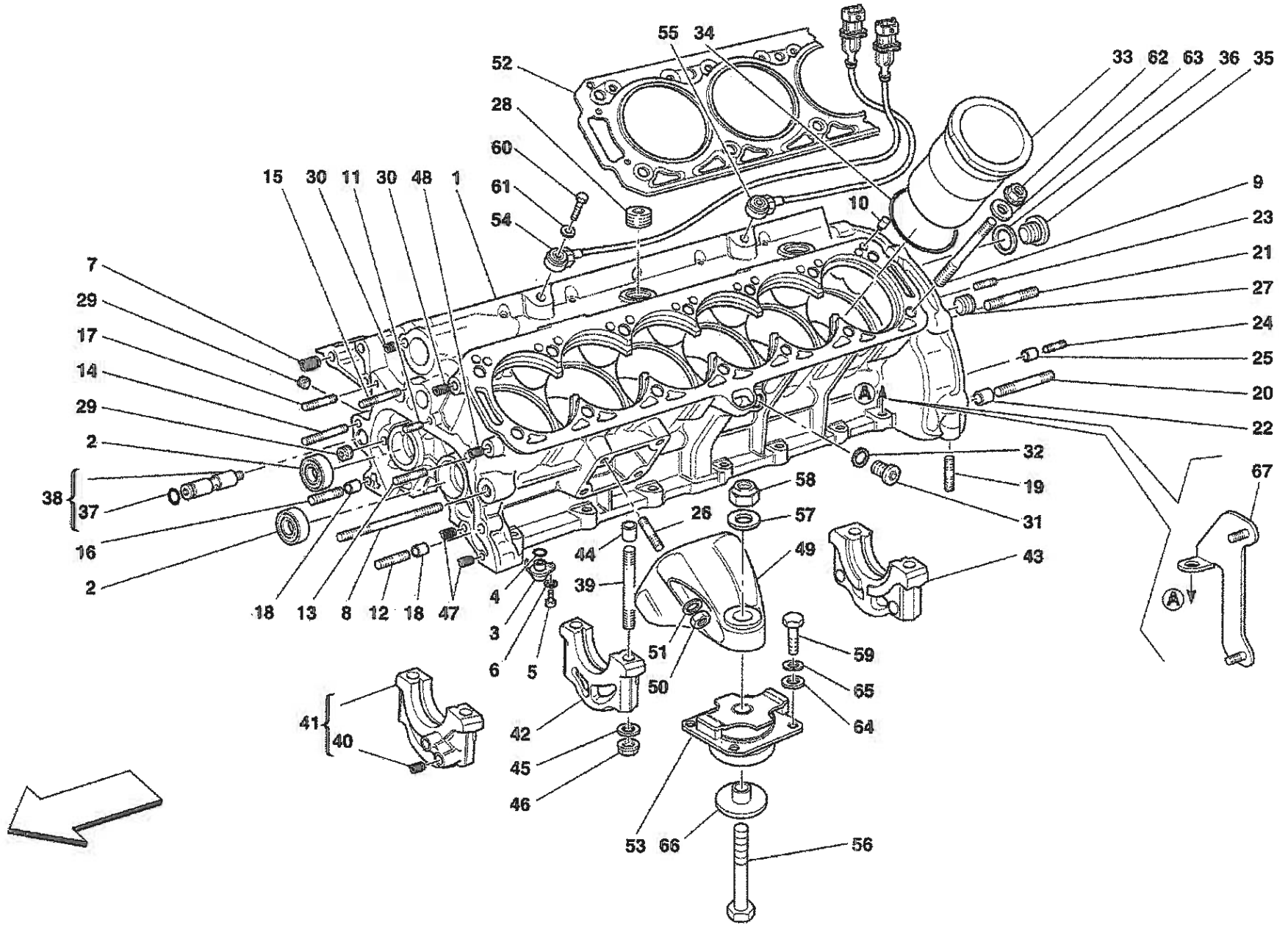


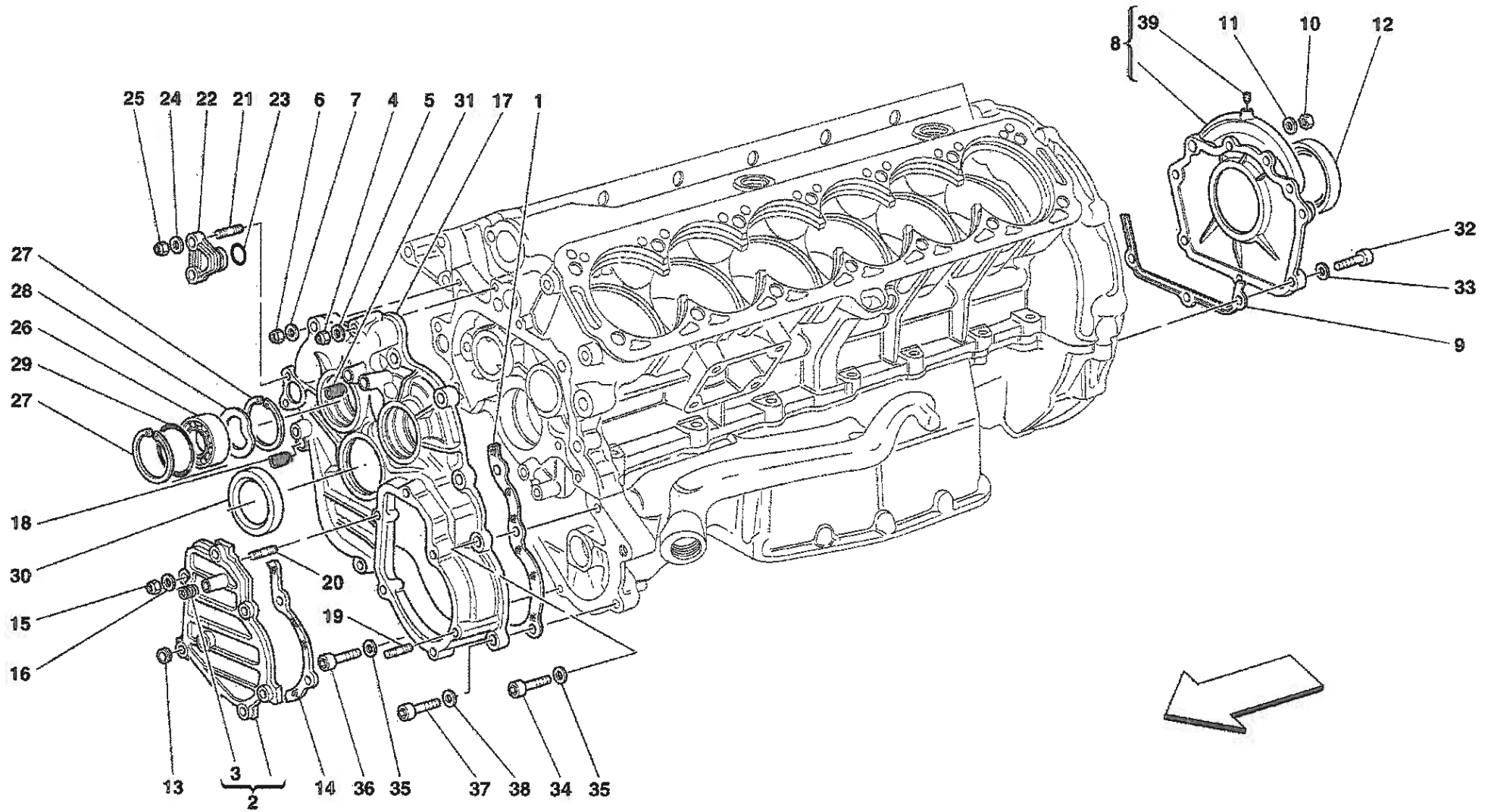
## MECHANICAL UNITS

TAV. 1	CRANKCASE	TAV. 34	INSIDE GEARBOX CONTROLS-Not for F1-
TAV. 2	CRANKCASE-COVERS	TAV. 35	INSIDE GEARBOX CONTROLS-Valid for F1-
TAV. 3	DRIVING CHAFT-CONNECTING RODS AND PISTONS	TAV. 36	OUTSIDE GEARBOX CONTROLS
TAV. 4	R. H. CYLINDER HEAD	TAV. 37	ENGINE/GEARBOX CONNECTING TUBE AND INSULATION
TAV. 5	L. H. CYLINDER HEAD	TAV. 38	DIFFERENTIAL AND AXLE SHAFT
TAV. 6	TIMING-CONTROLS	TAV. 39	BRAKE AND CLUTCH HYDRAULIC SYSTEM
TAV. 7	TIMING-VALVES	TAV. 40	ELECTRONIC ACCELERATOR PEDAL
TAV. 8	ENGINE COVERS	TAV. 41	PEDALS
TAV. 9	FUEL SUPPLY SYSTEM	TAV. 42	F1 CLUTCH HYDRAULIC CONTROL-Valid for F1-
TAV. 10	FUEL PUMP	TAV. 43	POWER UNIT AND TANK-Valid for F1-
TAV. 11	FUEL TANK-UNION AND PIPING-Not for USA and CDN-	TAV. 44	BRAKE SYSTEM-Not for GD-
TAV. 12	FUEL TANK-UNION AND PIPING-Valid for USA and CDN-	TAV. 45	BRAKE SYSTEM-Valid for GD-
TAV. 13	FUEL TANK-INSULATION AND PROTECTION	TAV. 46	CALIPER FOR FRONT BRAKE
TAV. 14	ANTIEVAPORATION DEVICE	TAV. 47	CALIPER FOR REAR BRAKE
TAV. 15	INJECTION-IGNITION DEVICE	TAV. 48	HAND-BRAKE CONTROL
TAV. 16	PNEUMATICS ACTUATOR SYSTEM	TAV. 49	HYDRAULIC STEERING BOX
TAV. 17	SECONDARY AIR PUMP	TAV. 50	OIL TANK FOR SERVOSTEERIN AND SERPENTINE
TAV. 18	AIR INTAKE MANIFOLDS	TAV. 51	STEERING CDLUMN
TAV. 19	AIR INTAKE	TAV. 52	HYDRAULIC STEERING PUMPS
TAV. 20	FRONT EXHAUST SYSTEM	TAV. 53	FRONT SUSPENSION - SHOCK ABSORBER AND BRAKE DISC
TAV. 21	REAR EXHAUST SYSTEM	TAV. 54	FRONT SUSPENSION-WISHBONES AND STABILIZER BAR
TAV. 22	BLOW-BY	TAV. 55	REAR SUSPENSION-SHOCK ABSORBER AND BRAKE DISC
TAV. 23	LUBRICATION SYSTEM-TANK	TAV. 56	REAR SUSPENSION-WISHBONES AND STABILIZER BAR
TAV. 24	LUBRICATION-OIL PUMPS	TAV. 57	WHEELS
TAV. 25	LUBRICATION-OIL SUMPS AND FILTERS	TAV. 58	TYRES PRESSURE CONTROL SYSTEM-Not for J-
TAV. 26	COOLING SYSTEM-RADIATOR AND NOURICE	TAV. 59	BATTERY
TAV. 27	WATER PUMP	TAV. 60	ALTERNATOR-STARTING MOTOR-AIR CONDITIONING COMPRESSOR
TAV. 28	CLUTCH AND CONTROLS-Not for F1-	TAV. 61	AIR CONDITIONING SYSTEM
TAV. 29	CLUTCH AND CONTROLS-Valid for F1-	TAV. 62	EVAPCRATOR UNIT AND CONTROLS
TAV. 30	GEARBOX	TAV. 63	TOOLS EQUIPMENT AND FIXINGS
TAV. 31	DIFFERENTIAL CARRIER AND CLUTCH COOLING RADIATOR	TAV. 64	DOCUMENTATION AND ACCESSORIES
TAV. 32	MAIN SHAFT GEARS AND CLUTCH OIL PUMP	TAV. 65	SPARE WHEEL AND ACCESSORIES
TAV. 33	LAY SHAFT GEARS		

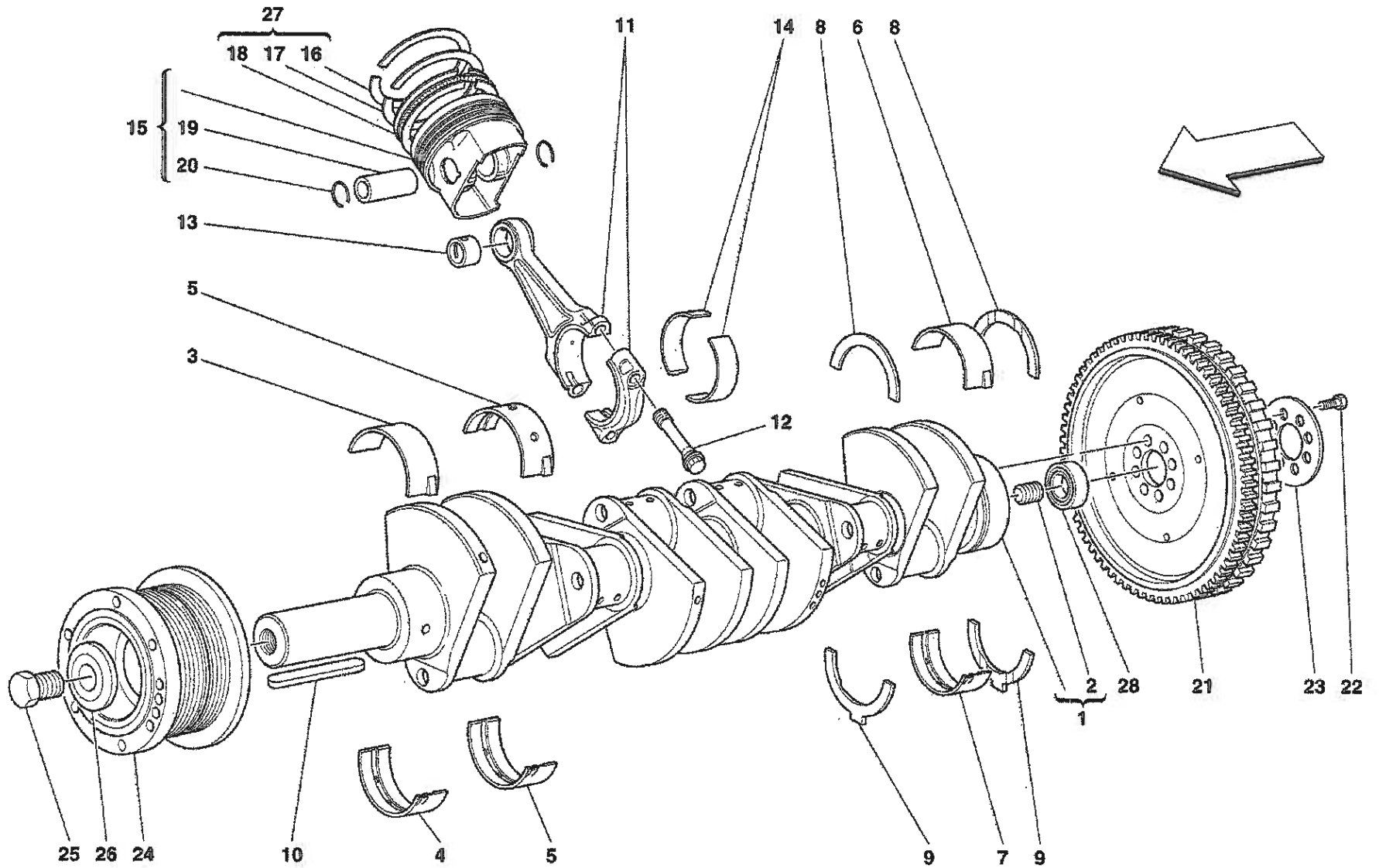
## COACHWORK

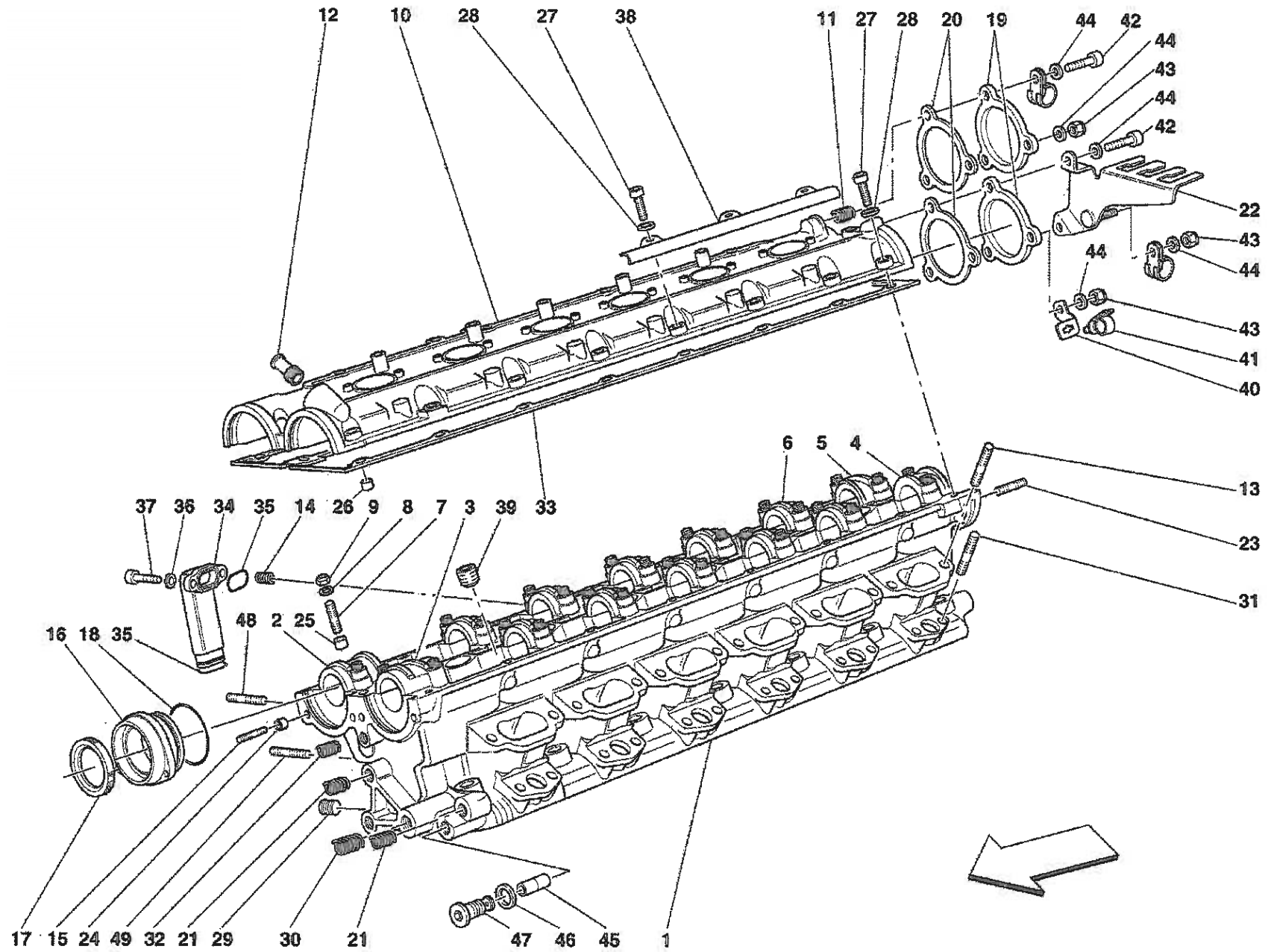
TAV. 100	BODY-OUTER TRIMS	TAV. 134	FRONT PASSENGERS COMPARTMENT CONTROL STATIONS
TAV. 101	FRAME AND STRUCTURES	TAV. 135	ACCELERATION SENSORS
TAV. 102	FRONT STRUCTURES AND COMPONENTS	TAV. 136	MOTOR COMPARTMENTS CONTROL STATIONS
TAV. 103	REAR STRUCTURES AND COMPONENTS	TAV. 137	REAR PASSENGERS COMPARTMENT CONTROL STATIONS
TAV. 104	FLAT FLOOR PAN	TAV. 138	ANTI-THEFT ELECTRICAL BOARDS AND DEVICES
TAV. 105	FRONT BUMPER	TAV. 139	STEREO EQUIPMENT-GPS
TAV. 106	REAR BUMPER	TAV. 140	WINDSCREEN WIPER, WINDSCREEN WASHER AND HORNS
TAV. 107	ENGINE COMPARTMENT FIRE-PROOF INSULATIONS-Not for GD		
TAV. 108	ENGINE COMPARTMENT FIRE-PROOF INSULATIONS-Valid for GD		
TAV. 109	PASSENGERS COMPARTMENT INSULATIONS-Not for GD-		
TAV. 110	PASSENGERS COMPARTMENT INSULATIONS-Valid for GD-		
TAV. 111	BOOT INSULATION		
TAV. 112	PASSENGERS COMPARTMENT UPHOLSTERY AND CARPETS		
TAV. 113	ROOF PANEL UPHOLSTERY AND ACCESSORIES		
TAV. 114	BOOT UPHDLSTERY		
TAV. 115	ENGINE BONNET		
TAV. 116	BOOT DOOR AND PETROL COVER		
TAV. 117	SUN ROOF ASSEMBLY AND CONTROL STATIONS		
TAV. 118	SUN ROOF MOVEMENT AND CLOSING		
TAV. 119	DOORS-FRAMEWORKS AND COVERINGS		
TAV. 120	DOORS-OPENING CONTROL AND HINGES		
TAV. 121	DOORS-POWER WINDOW AND REARVIEW MIRROR		
TAV. 122	GLASSES AND GASKETS		
TAV. 123	ELECTRICAL SEAT-SAFETY BELTS		
TAV. 124	ELECTRICAL SEAT-GUIDE AND MOVEMENT		
TAV. 125	RACING SEAT-4POINT BELTS		
TAV. 126	TUNNEL-FRAMEWORK AND ACCESSORIES		
TAV. 127	INSTRUMENTS PANEL		
TAV. 128	DASHBOARD DRAWER		
TAV. 129	AIR-BAG		
TAV. 130	INSTRUMENTS		
TAV. 131	FRONT AND REAR LIGHTS		
TAV. 132	OUTSIDE FINISHINGS		
TAV. 133	ELECTRICAL SYSTEM		

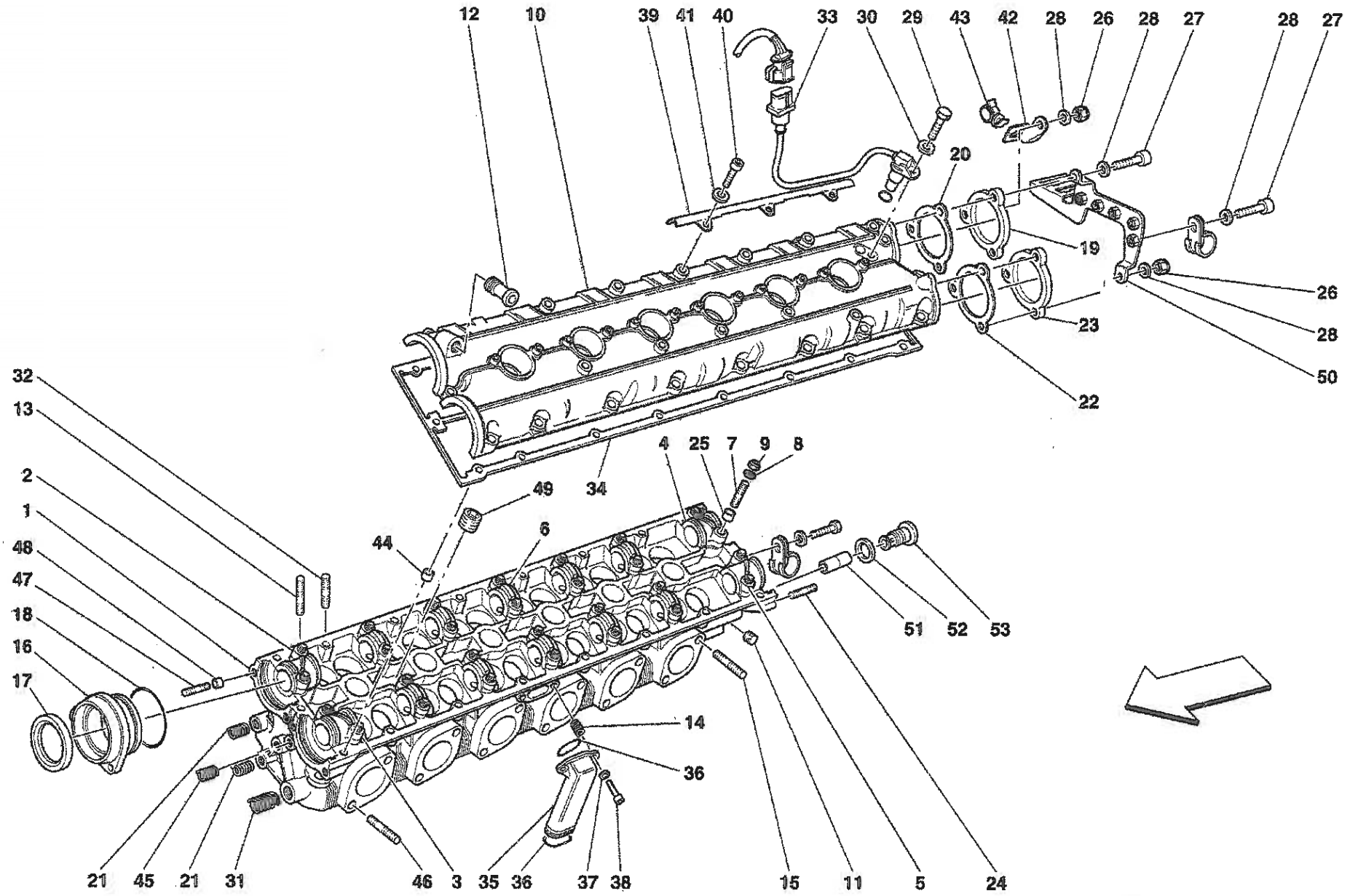


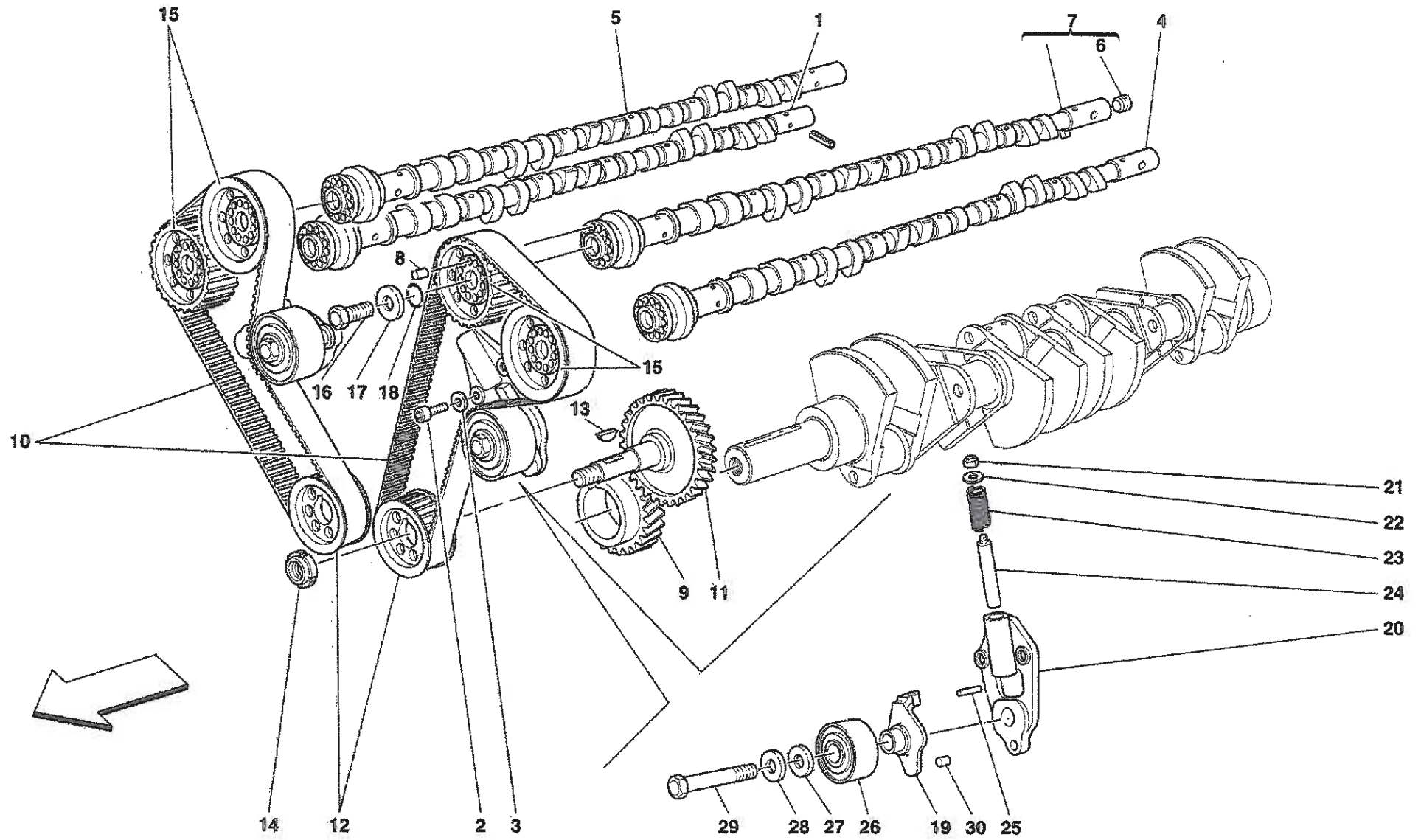


Superamerica - 3 - DRIVING SHAFT - CONNECTING RODS AND PISTONS

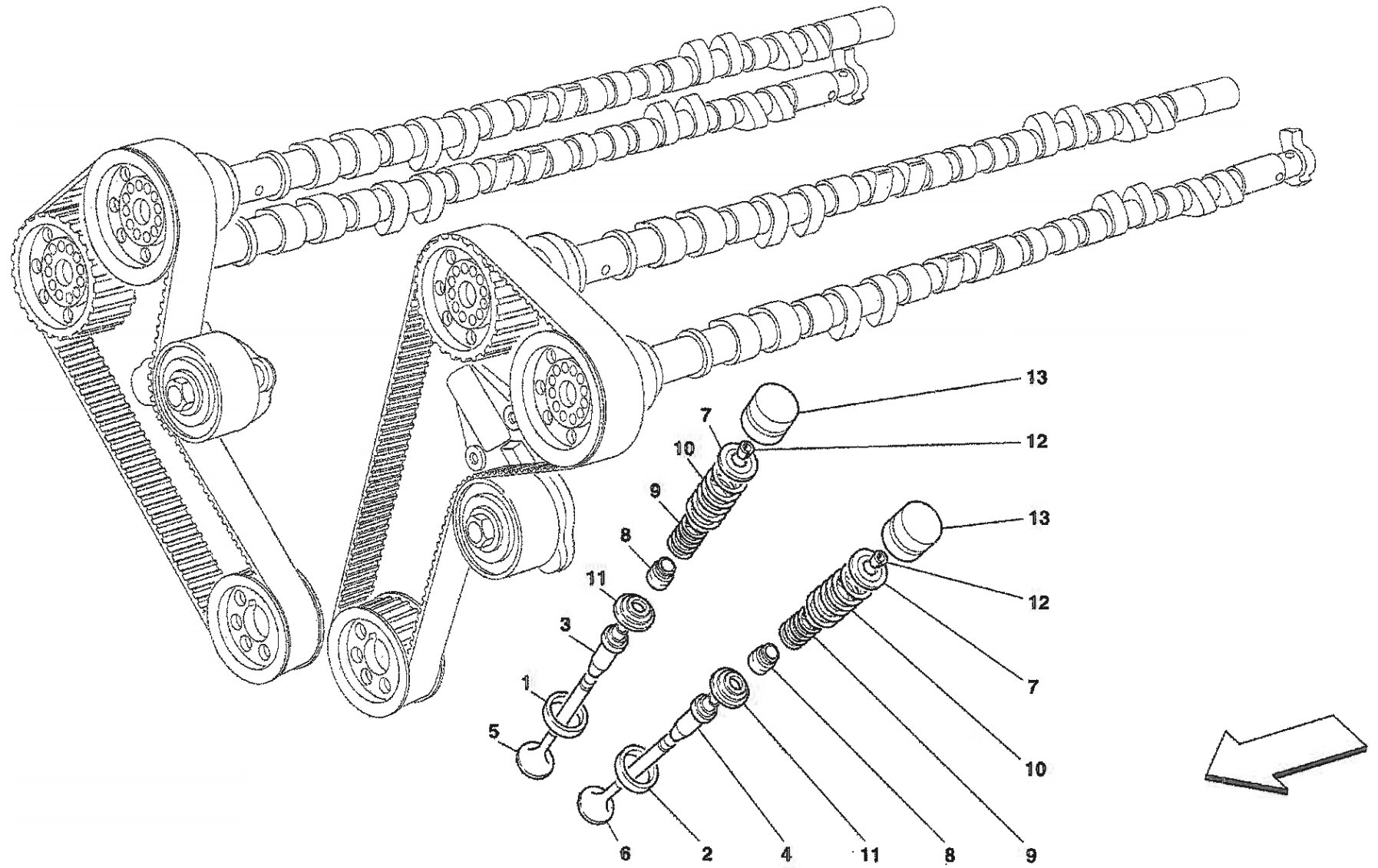


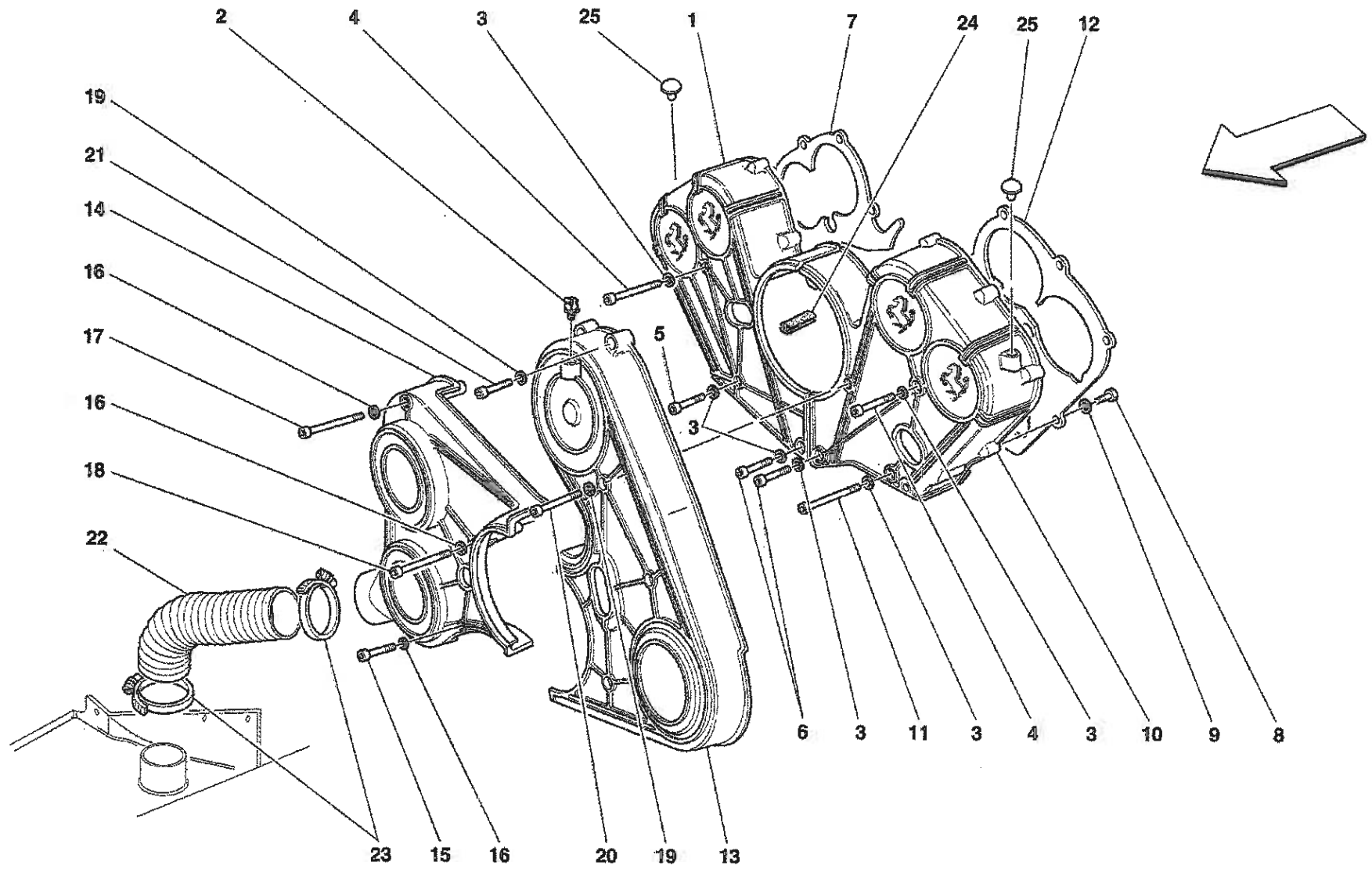


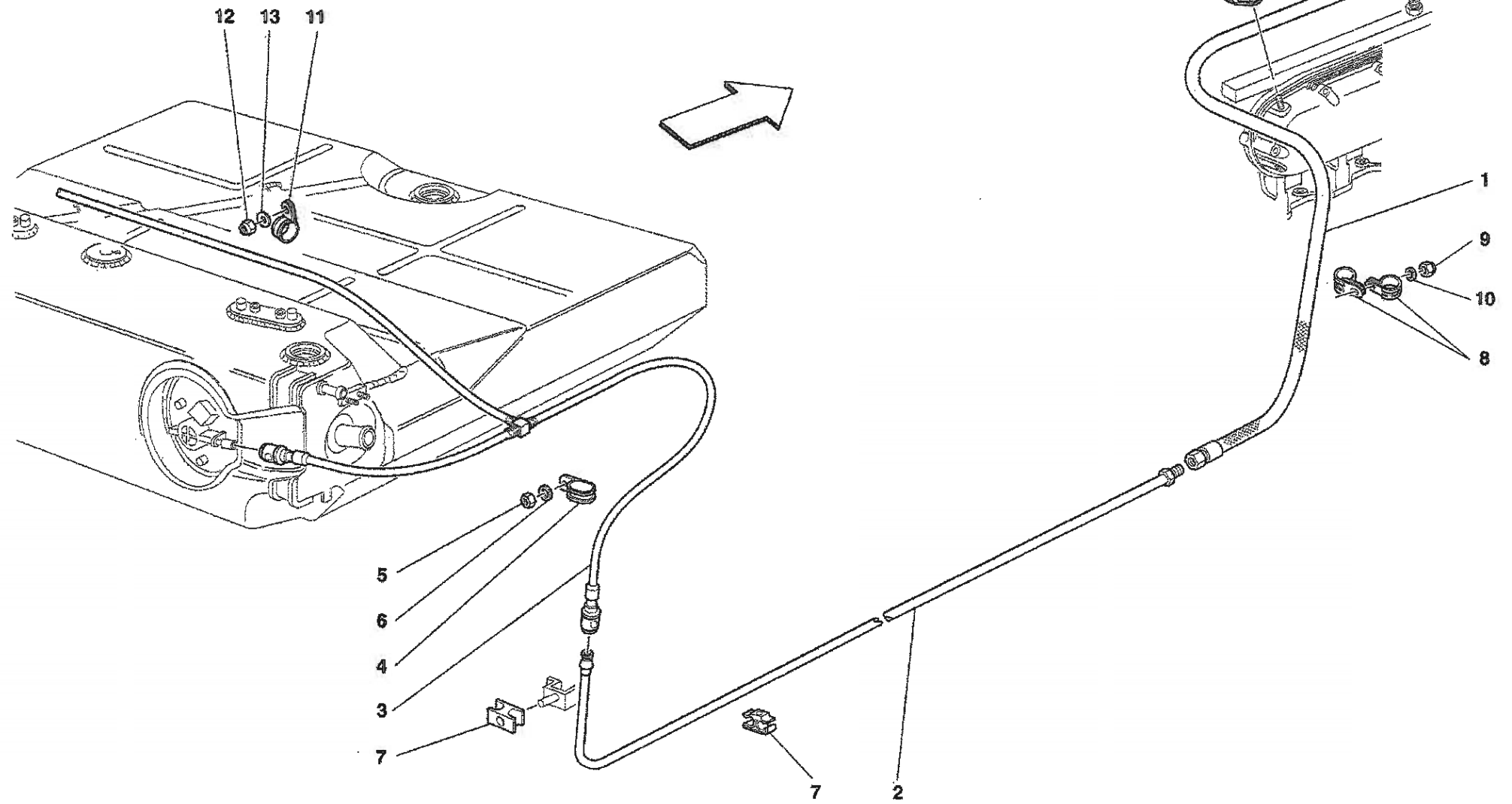


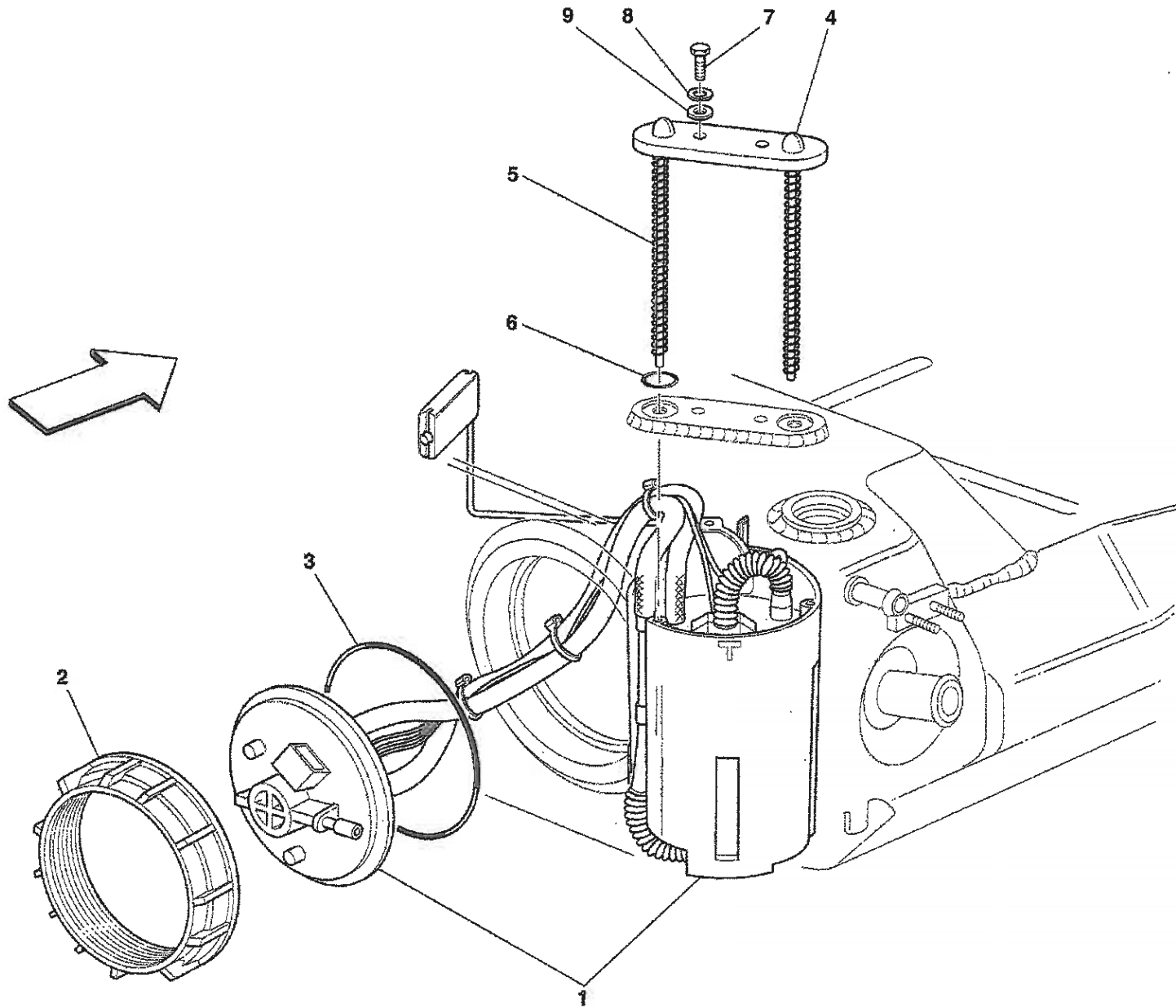


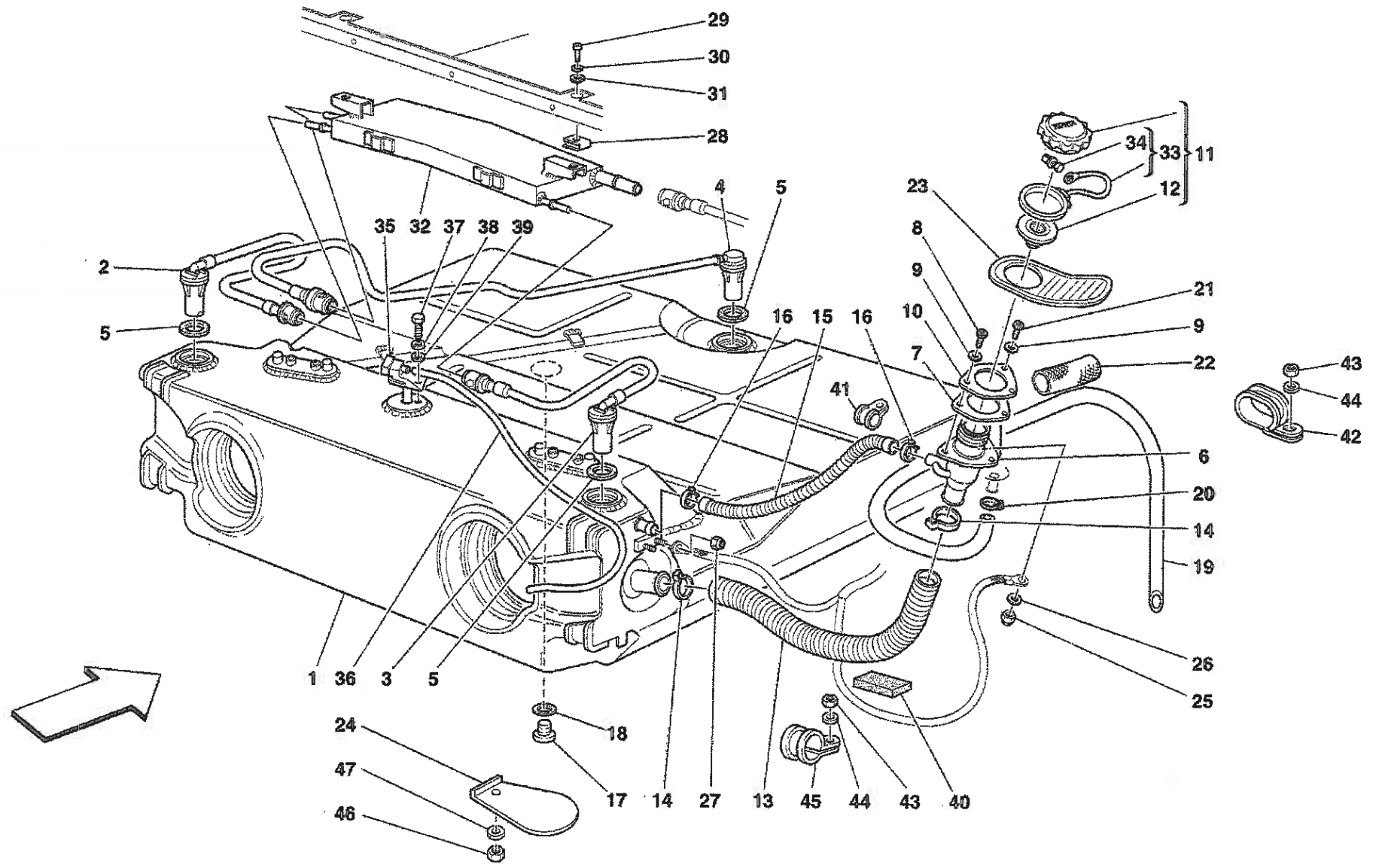


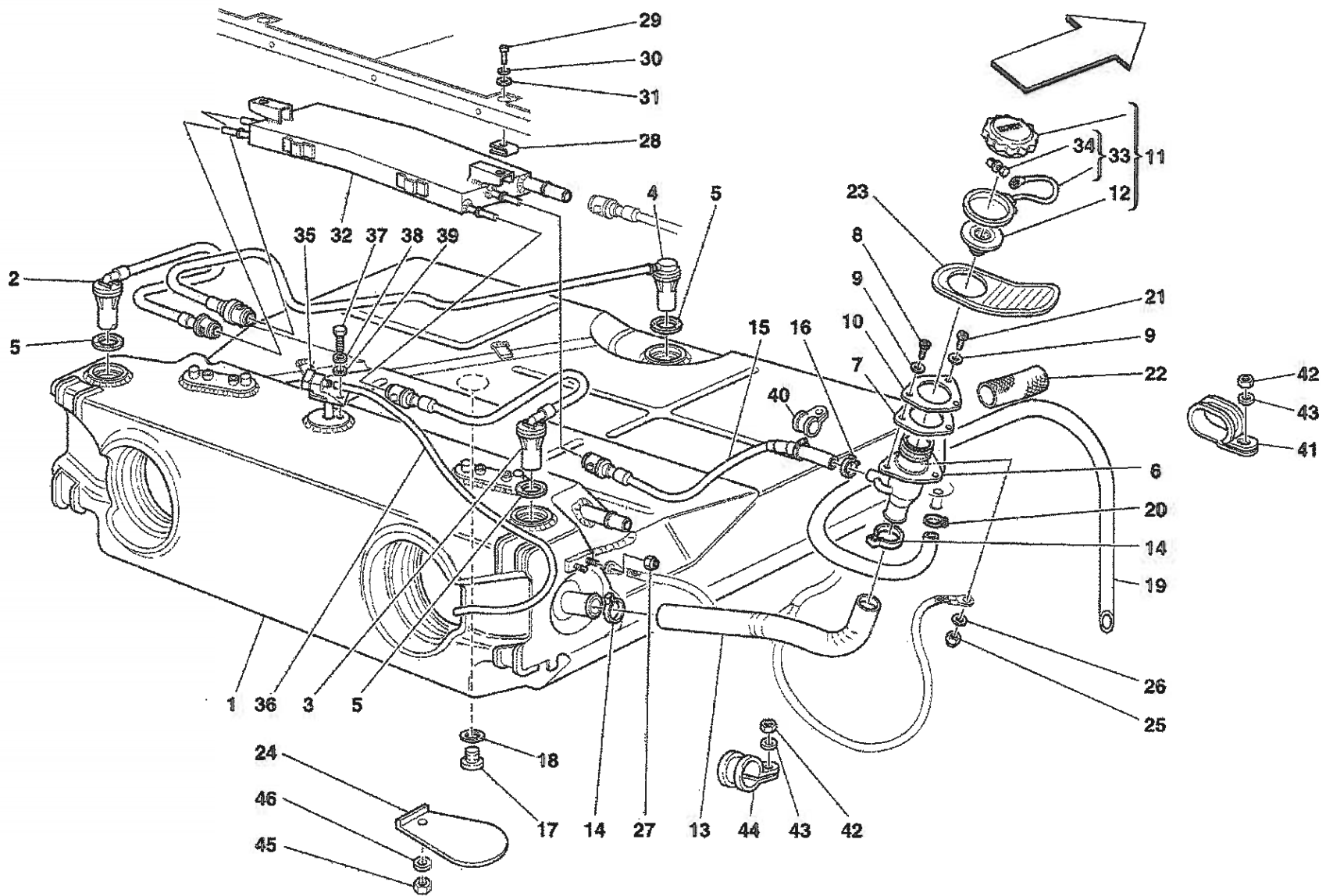


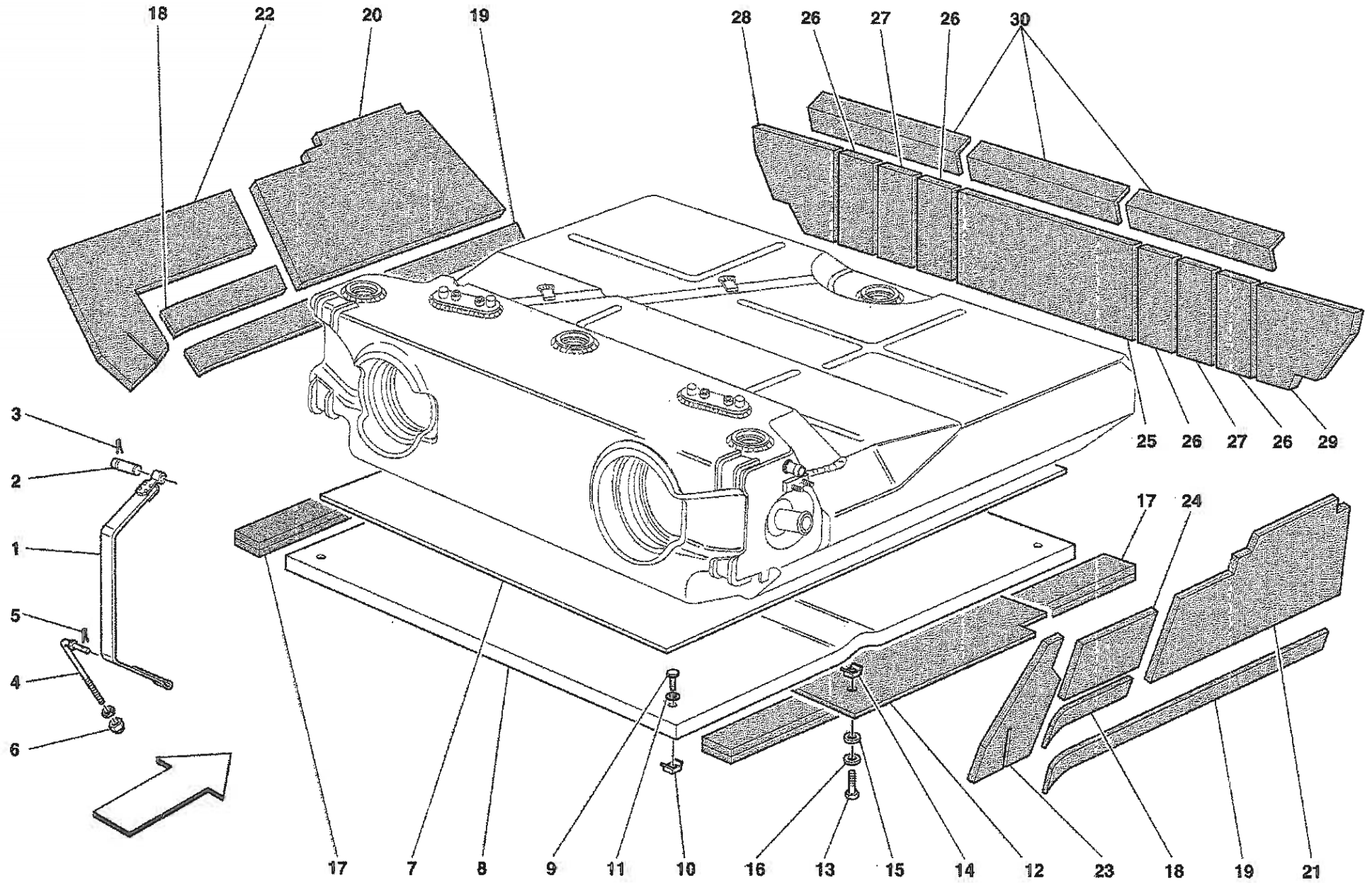


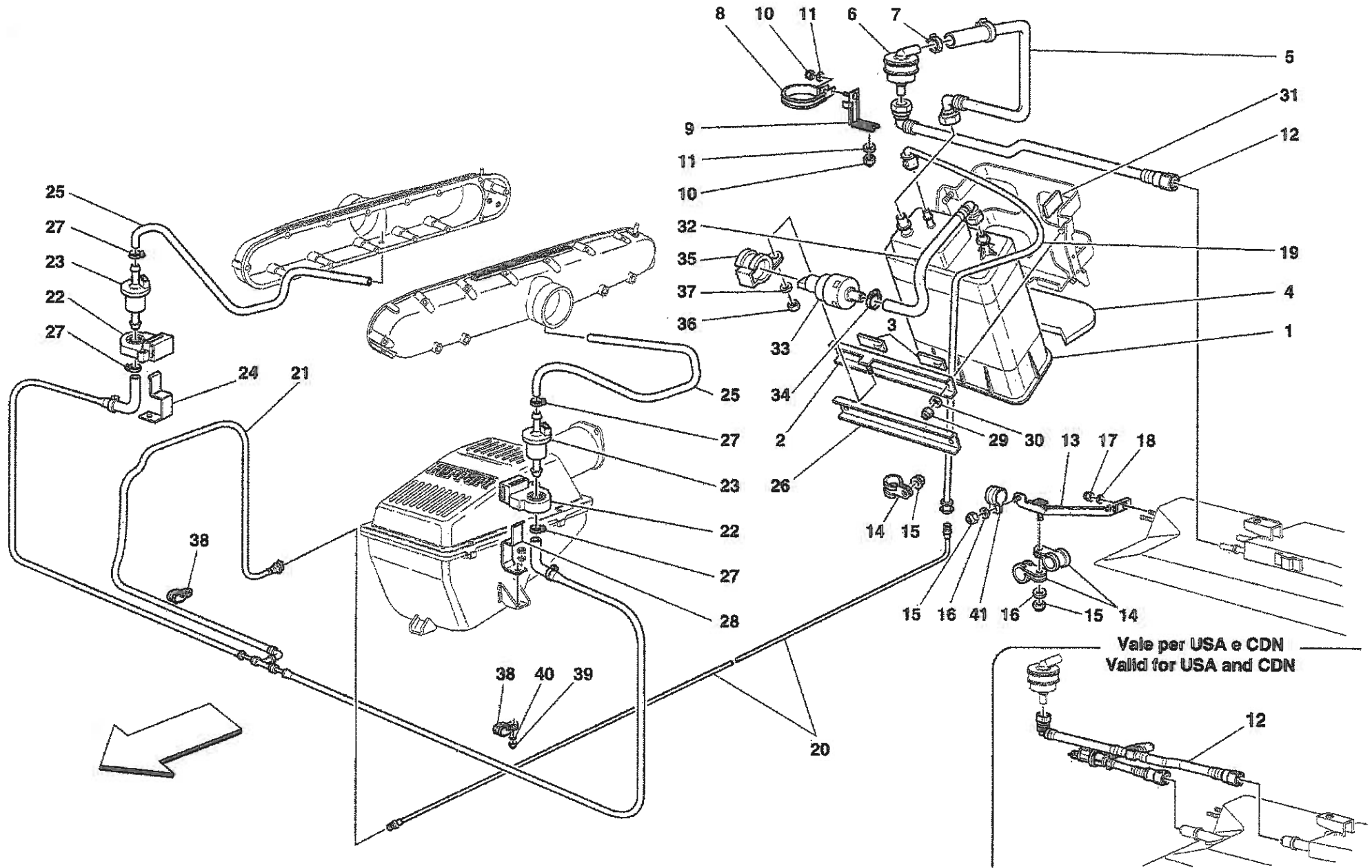




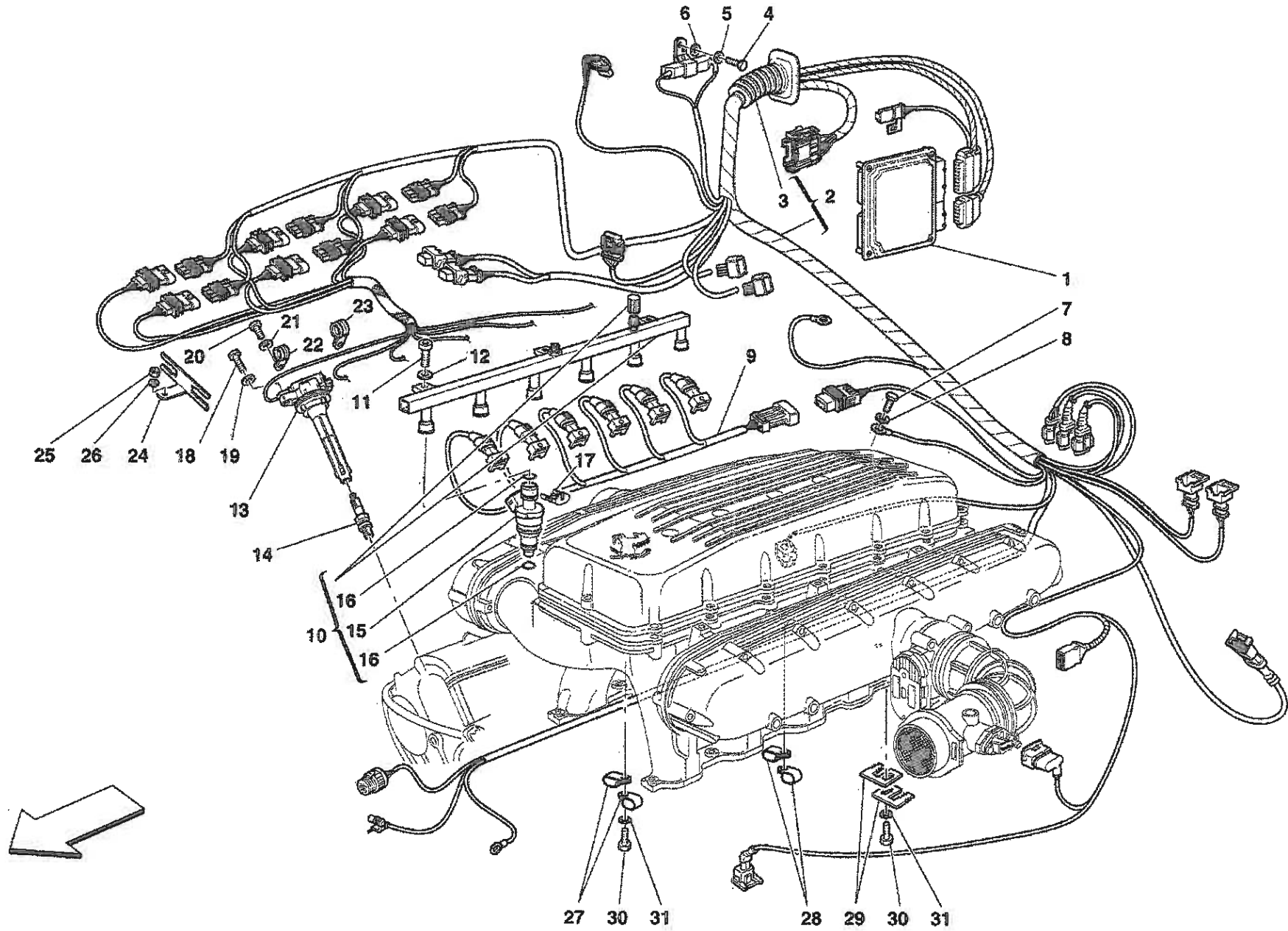


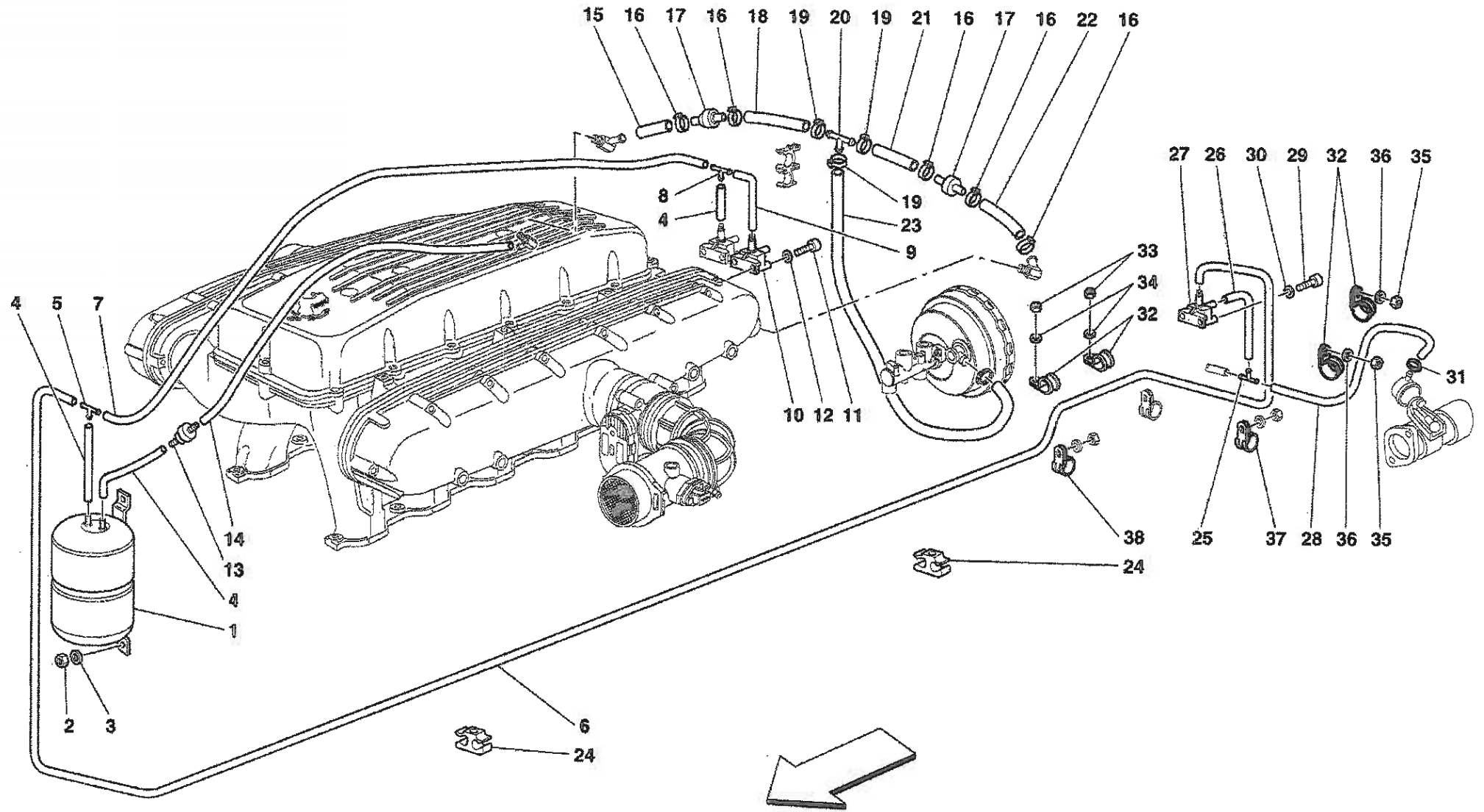


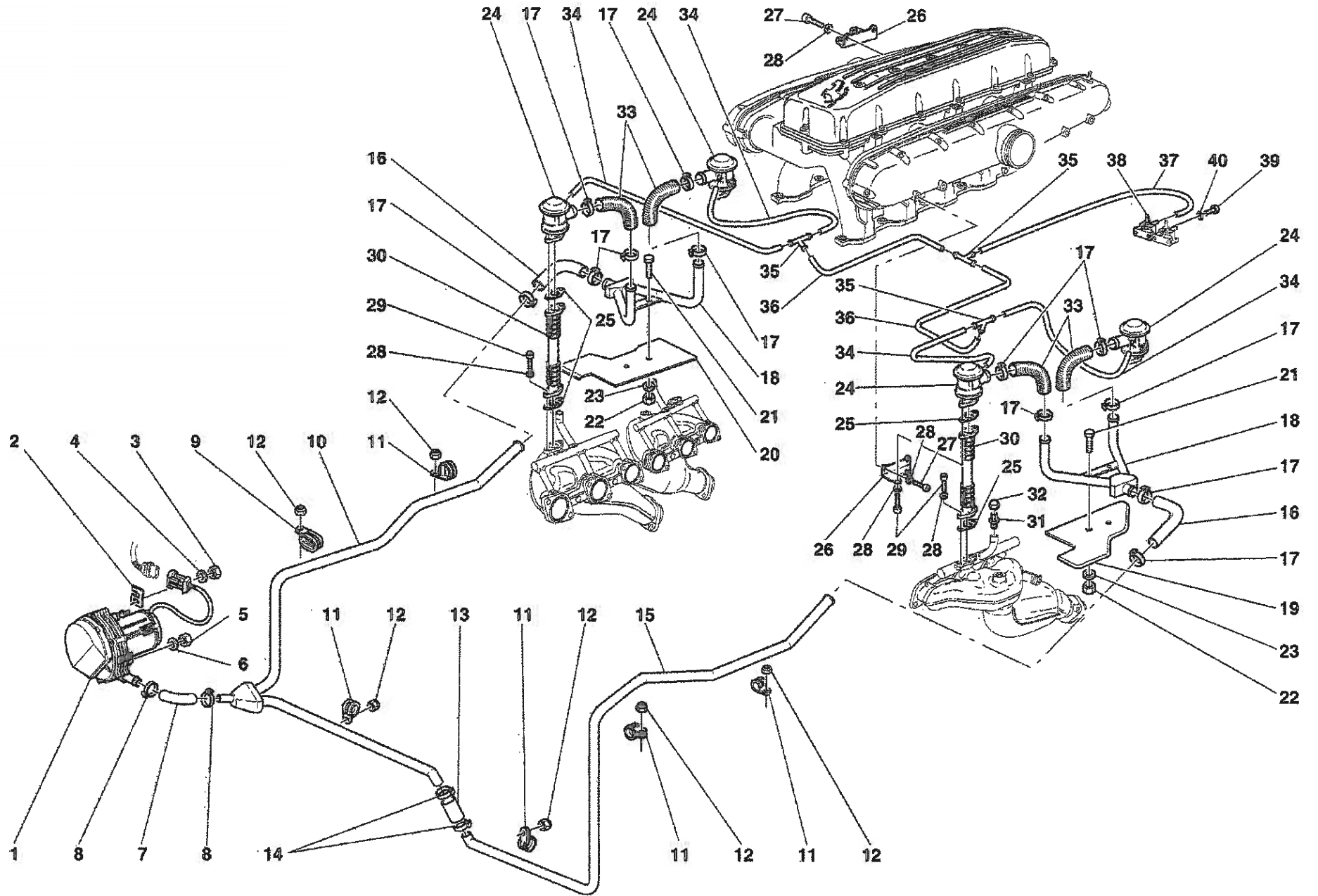


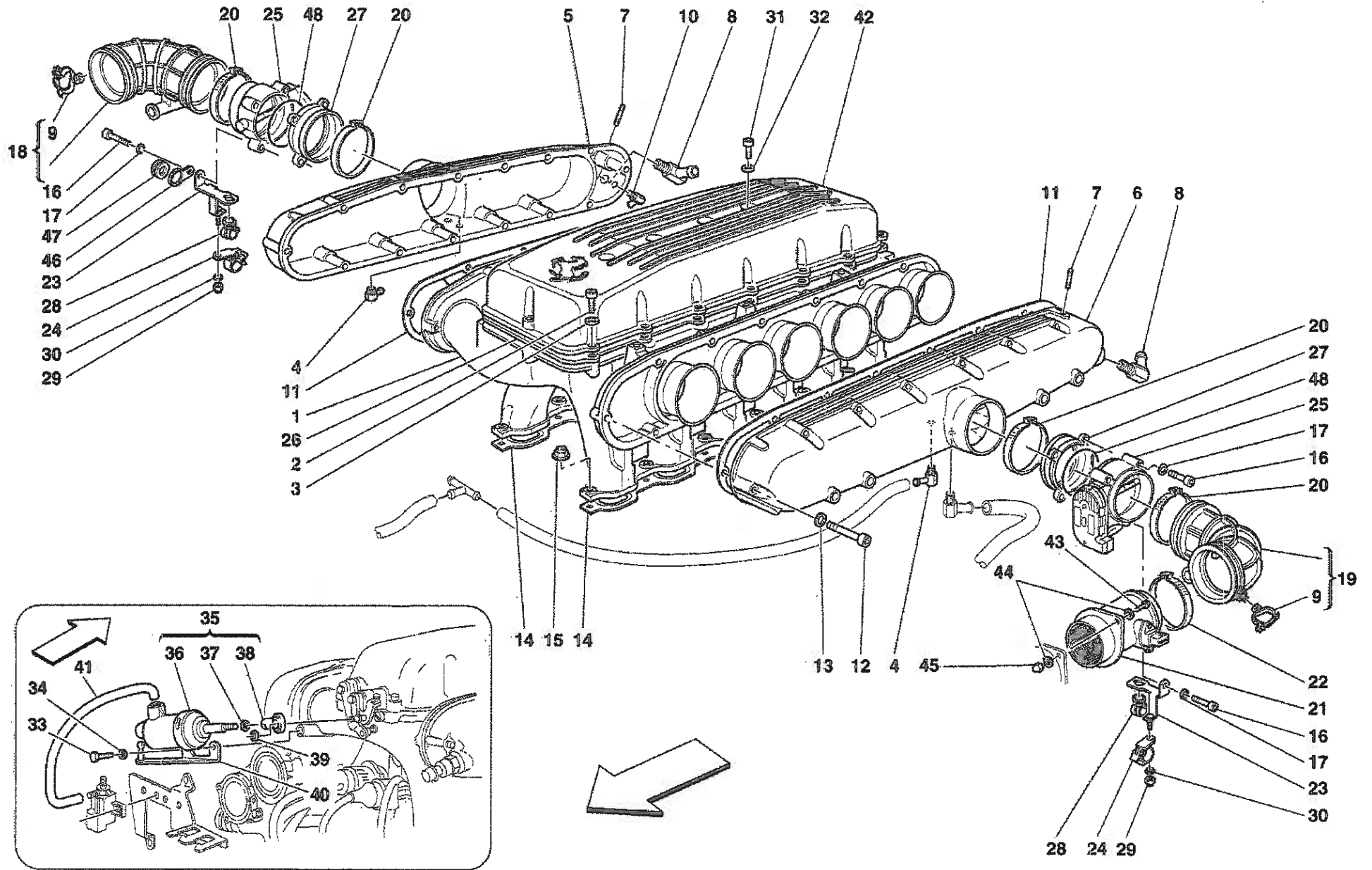


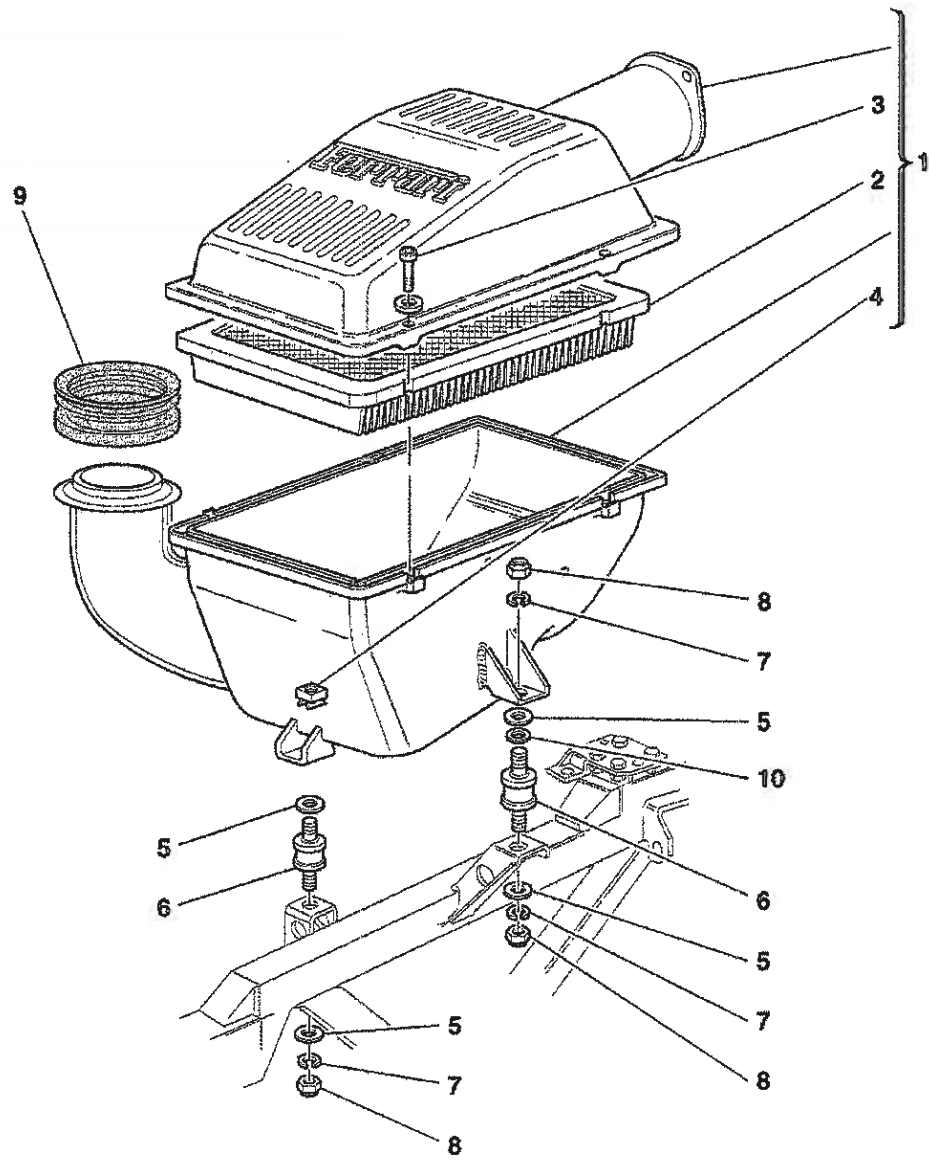
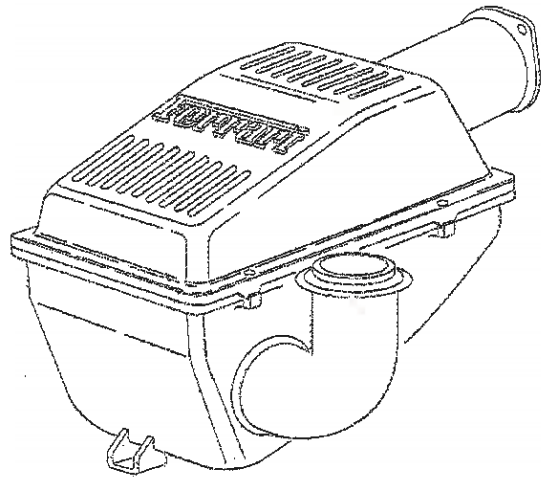




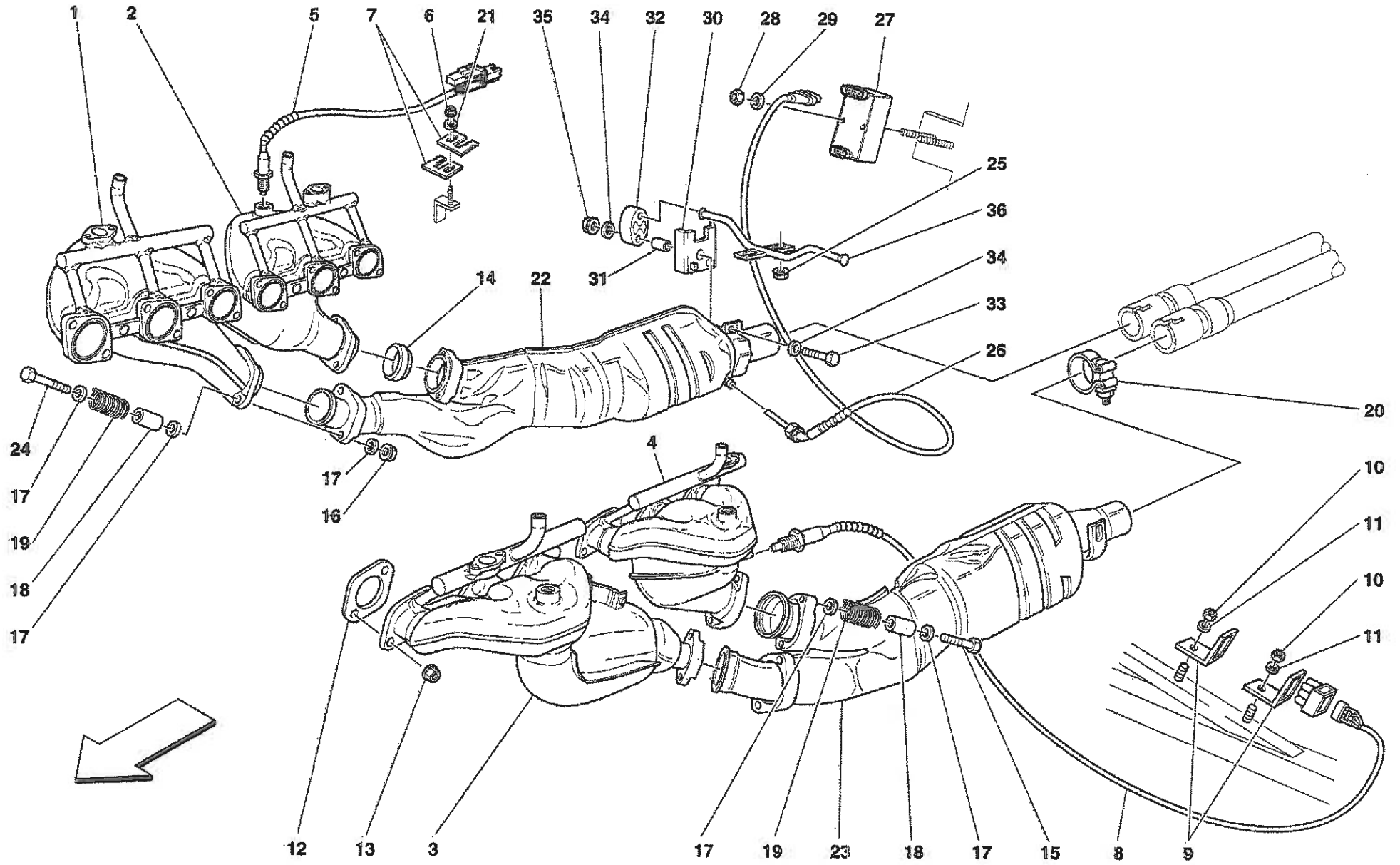


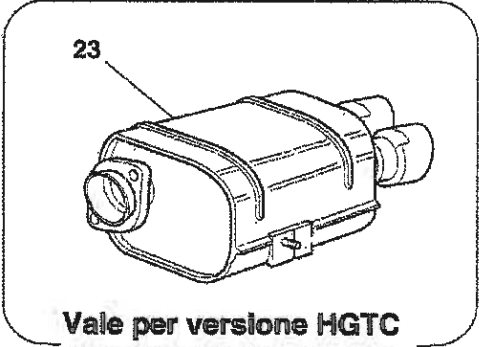
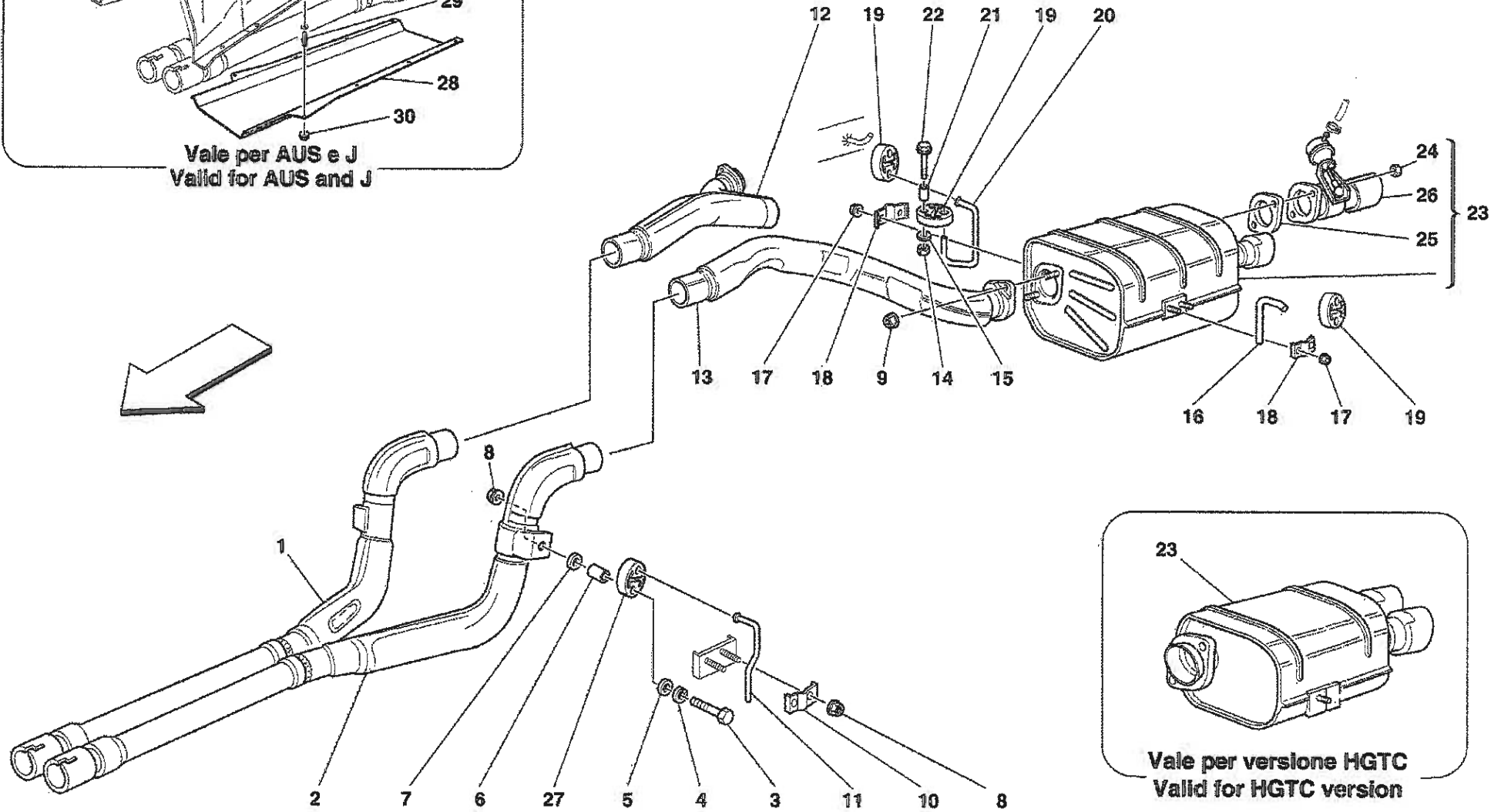
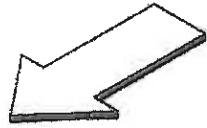
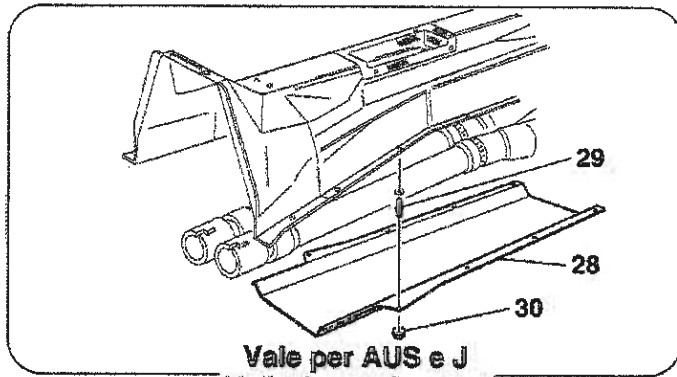


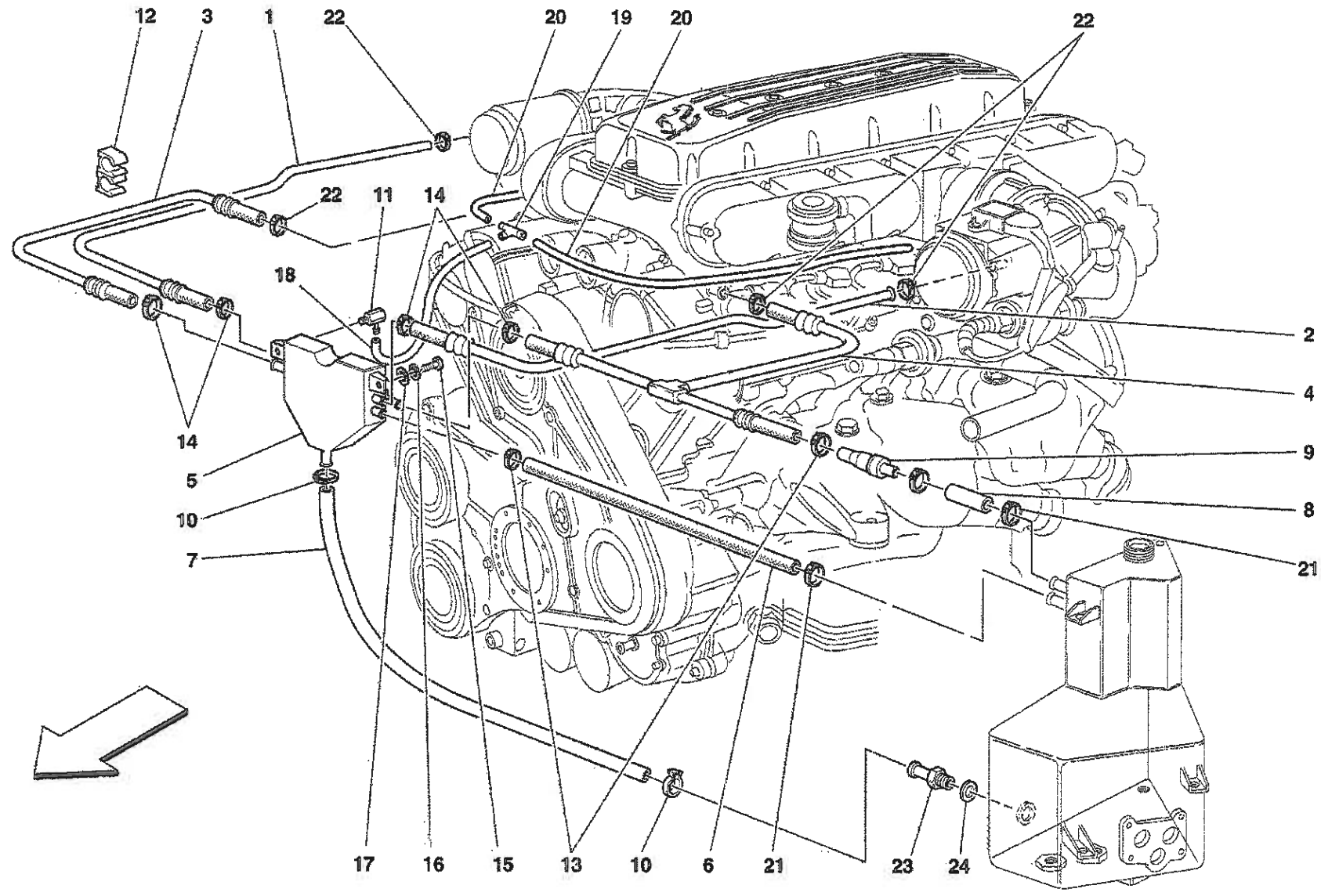




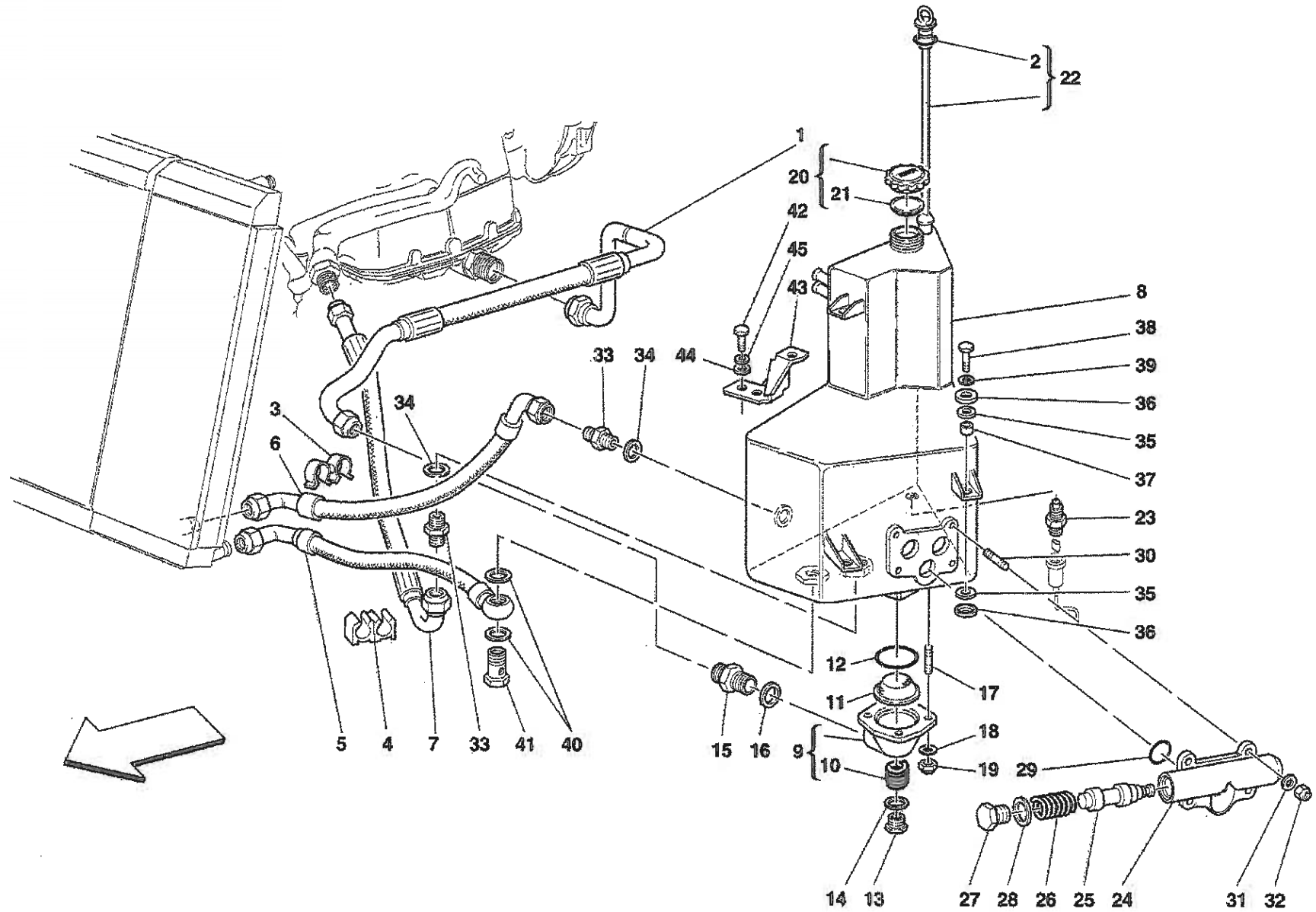
Superamerica - 20 - FRONT EXHAUST SYSTEM

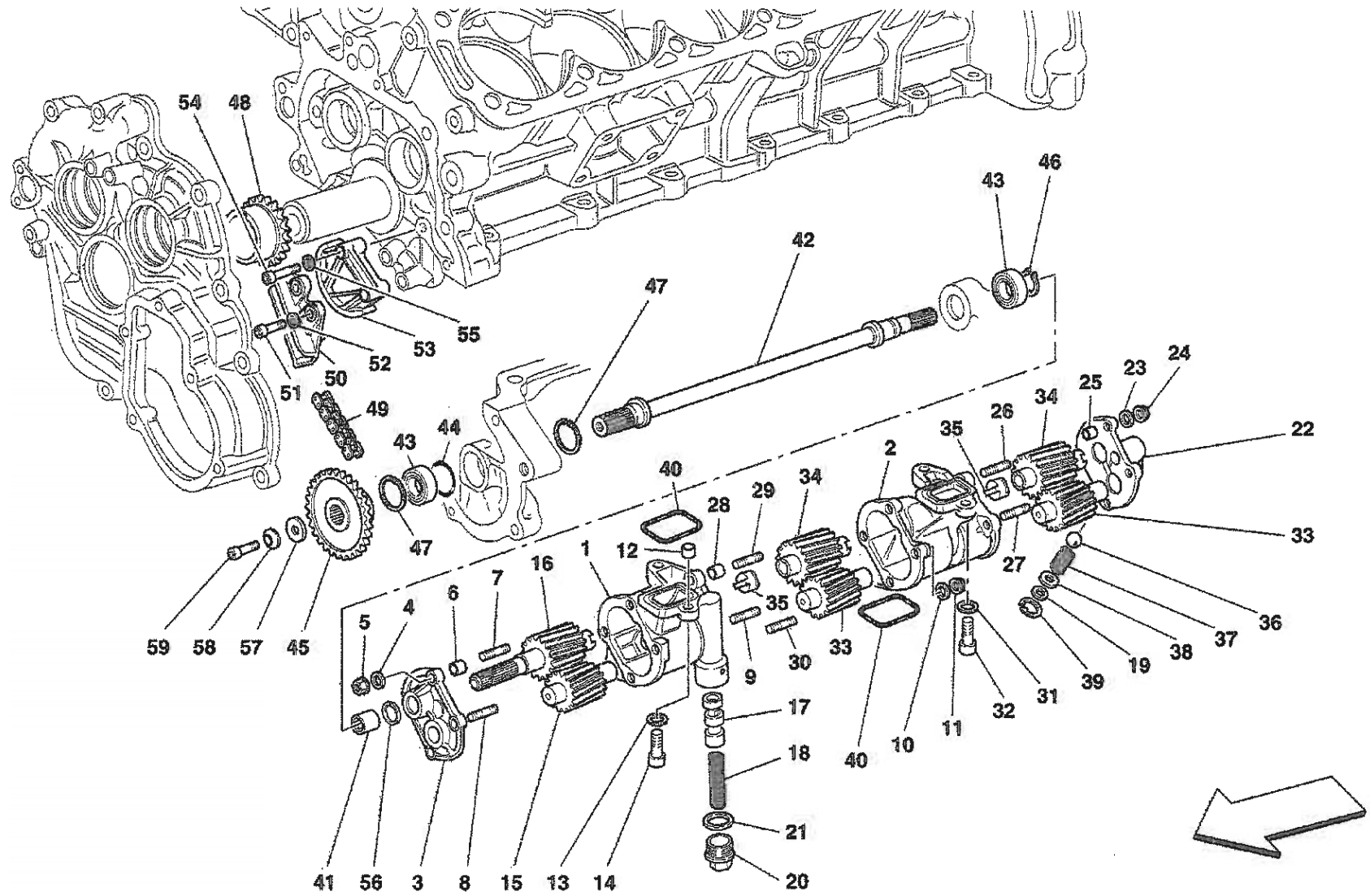


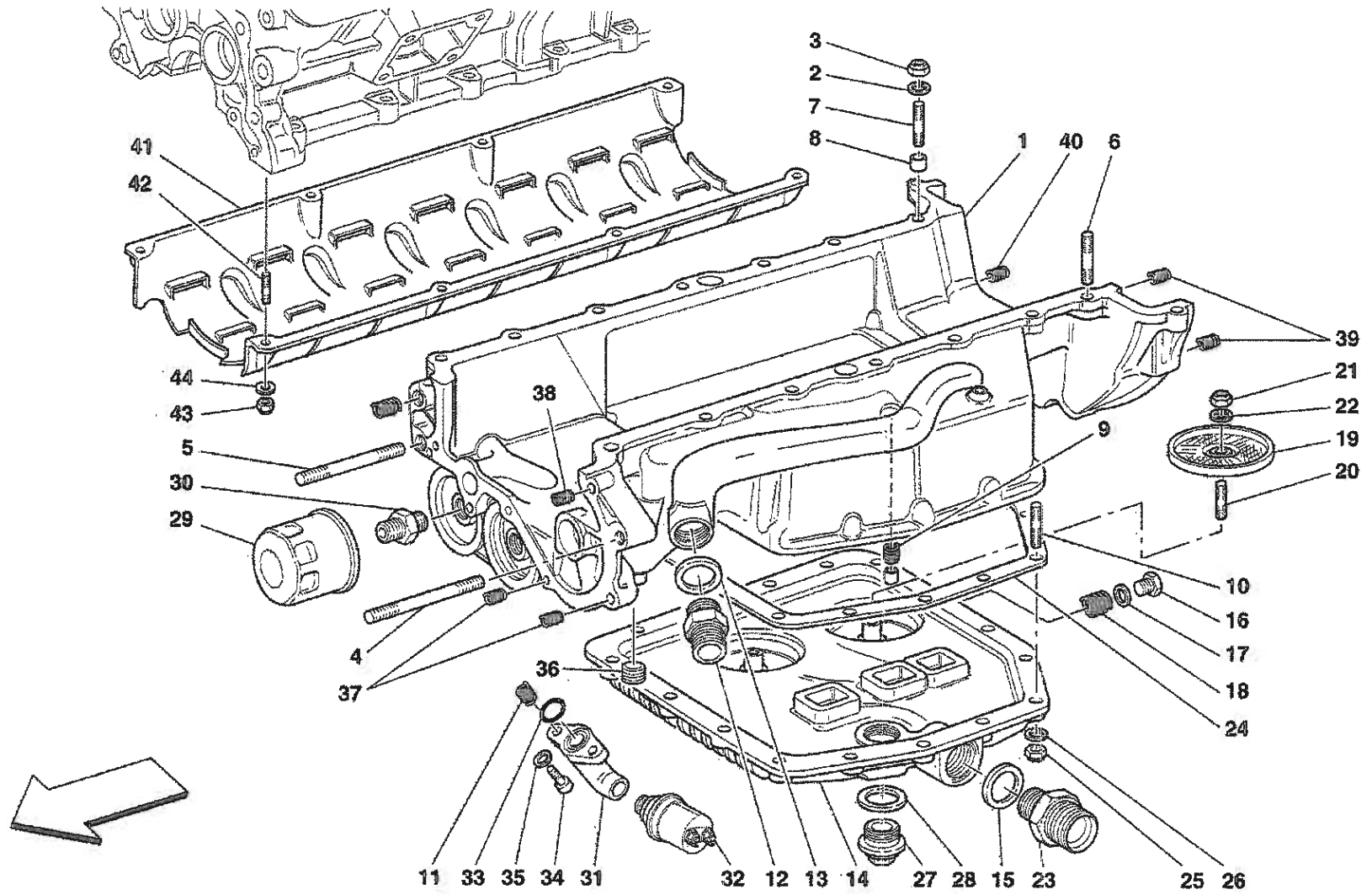


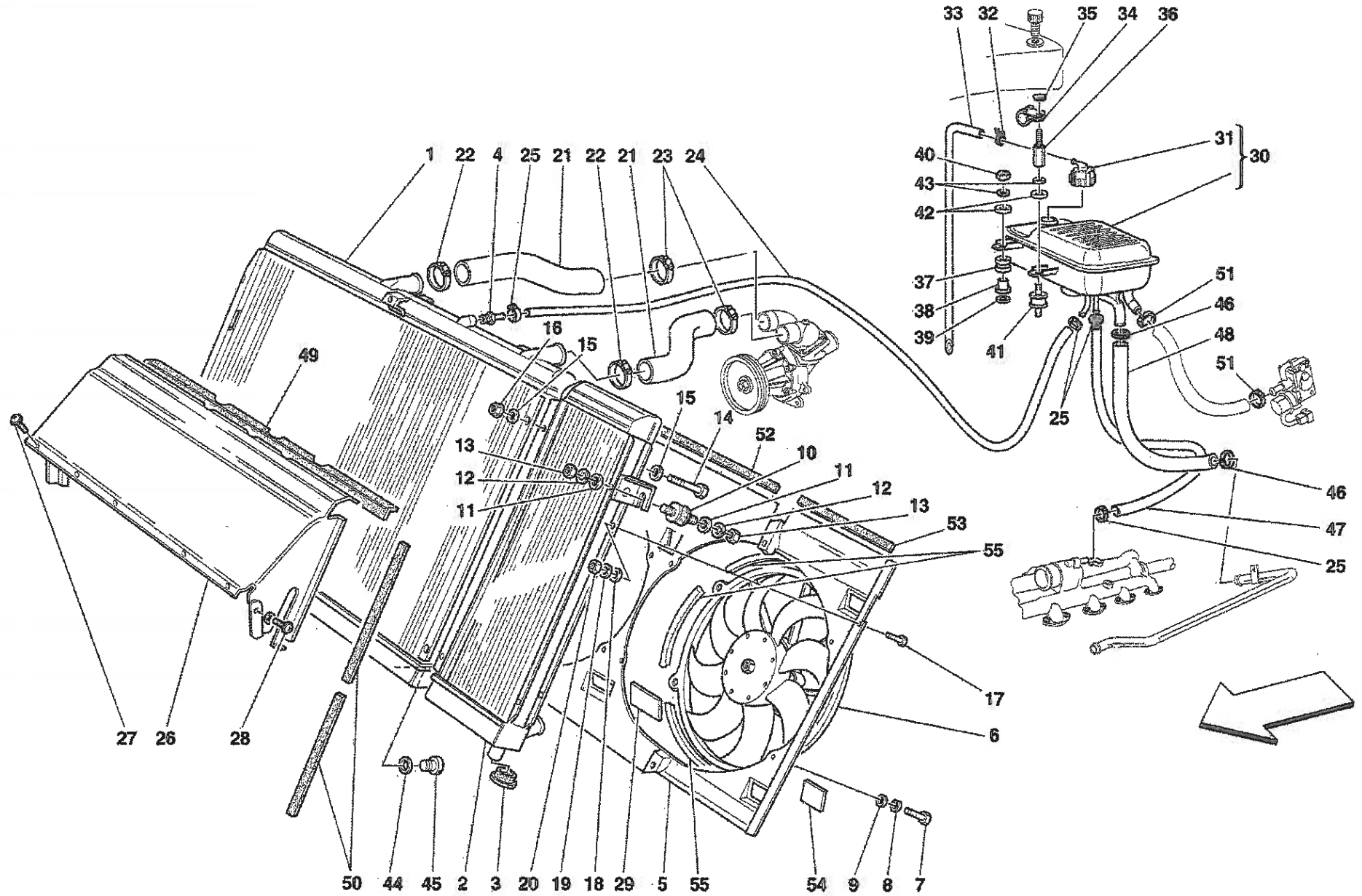


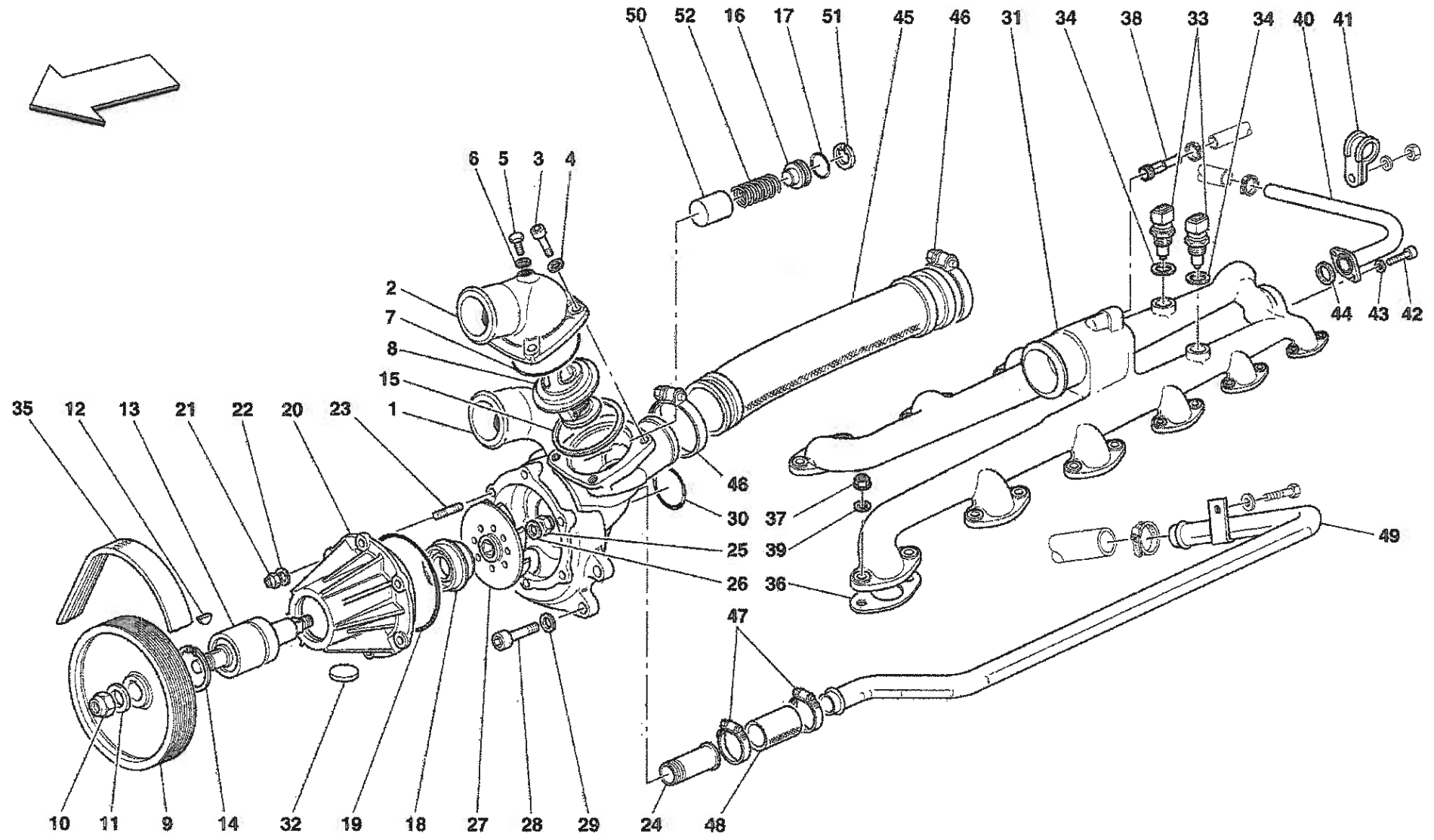


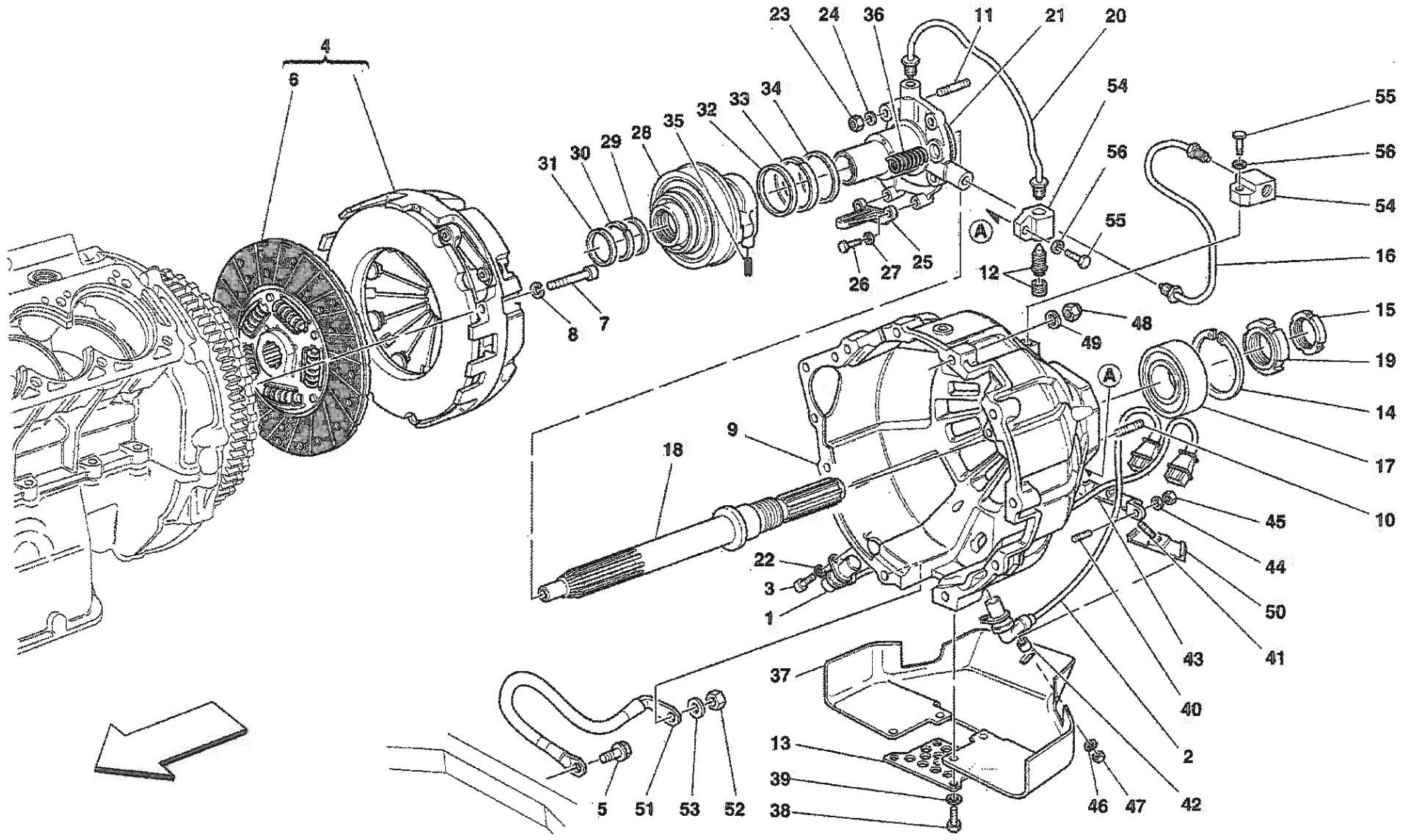


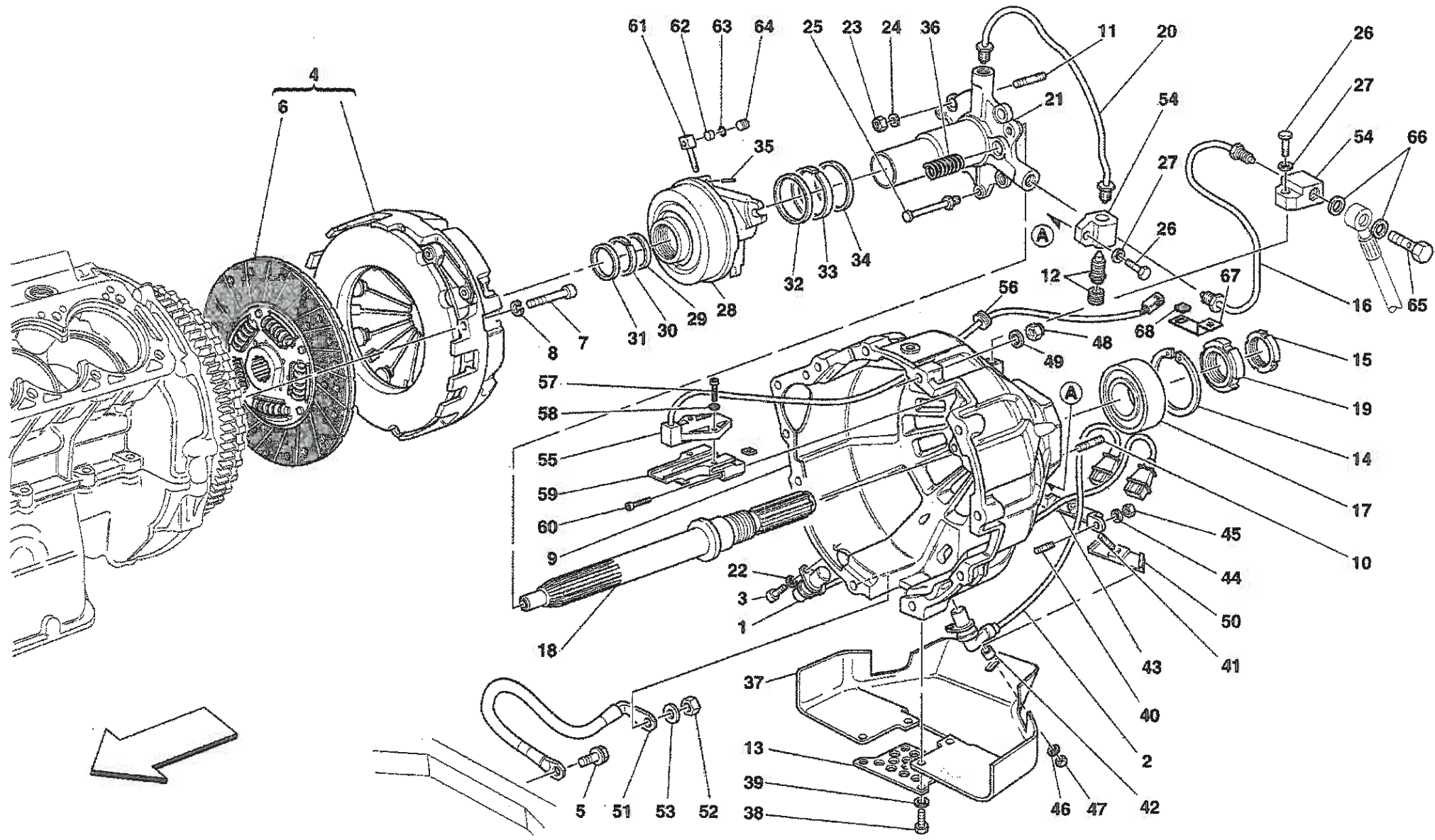


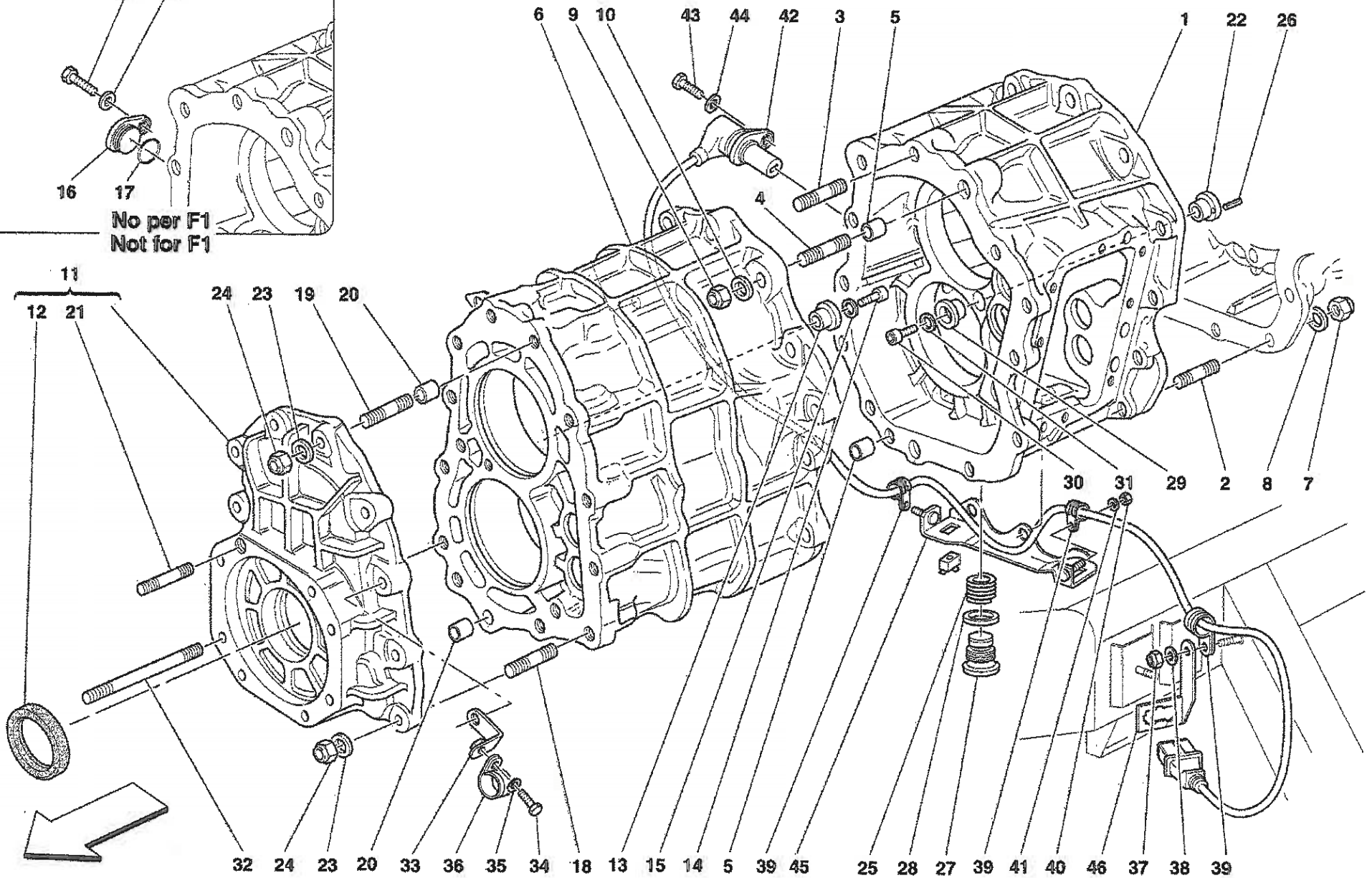
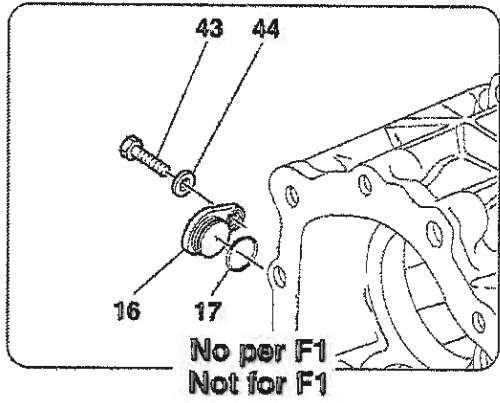




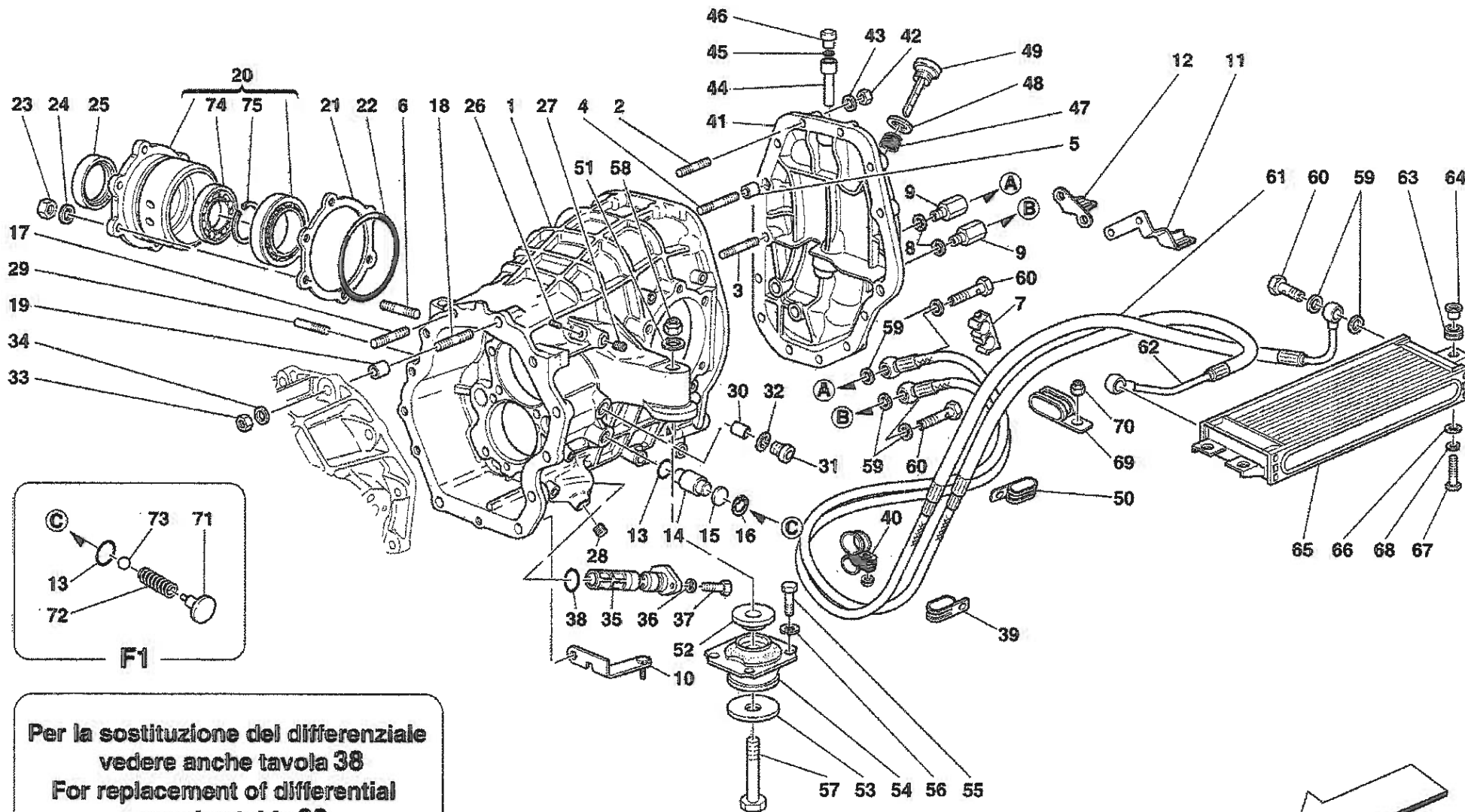




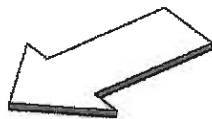


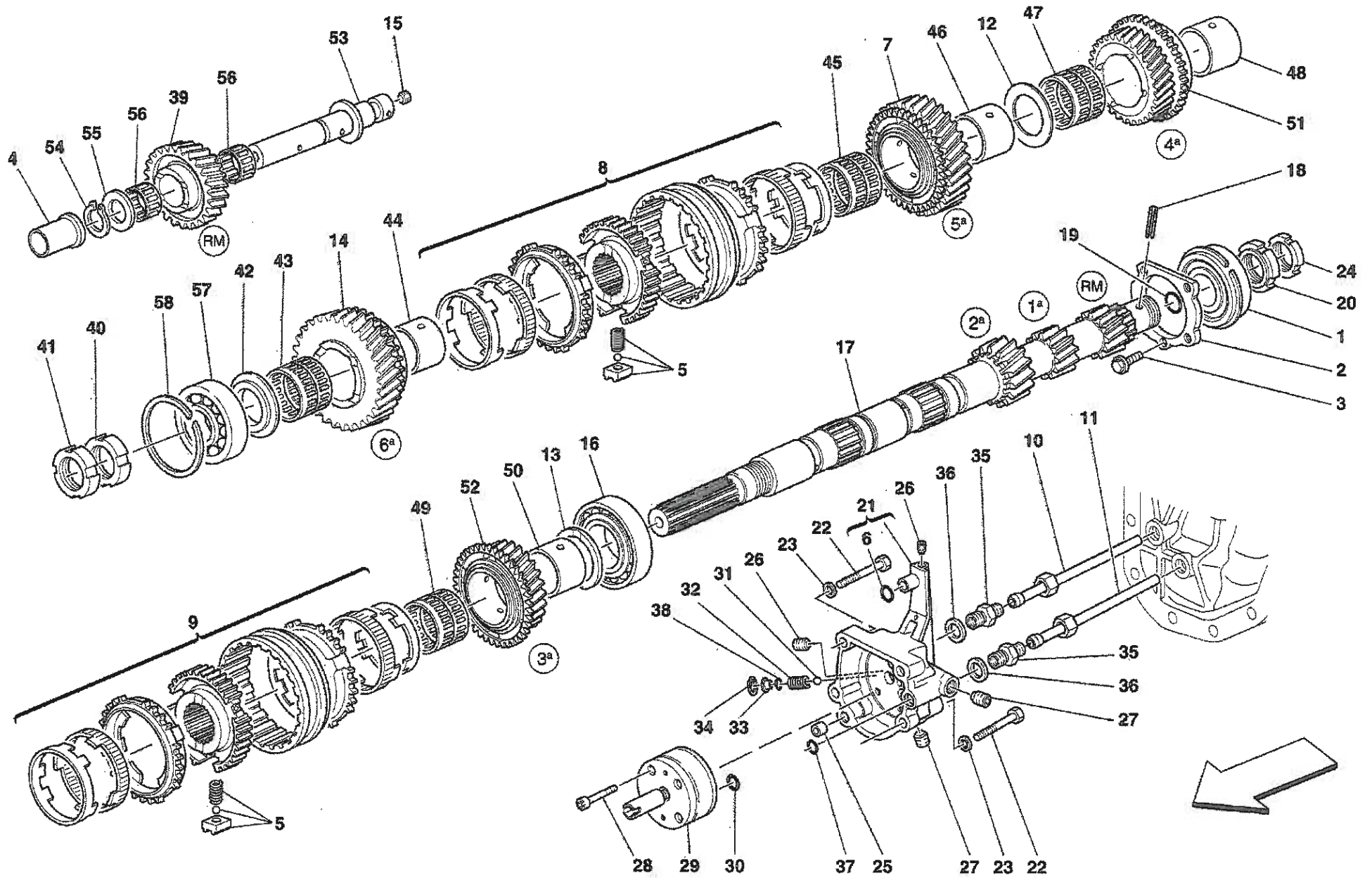


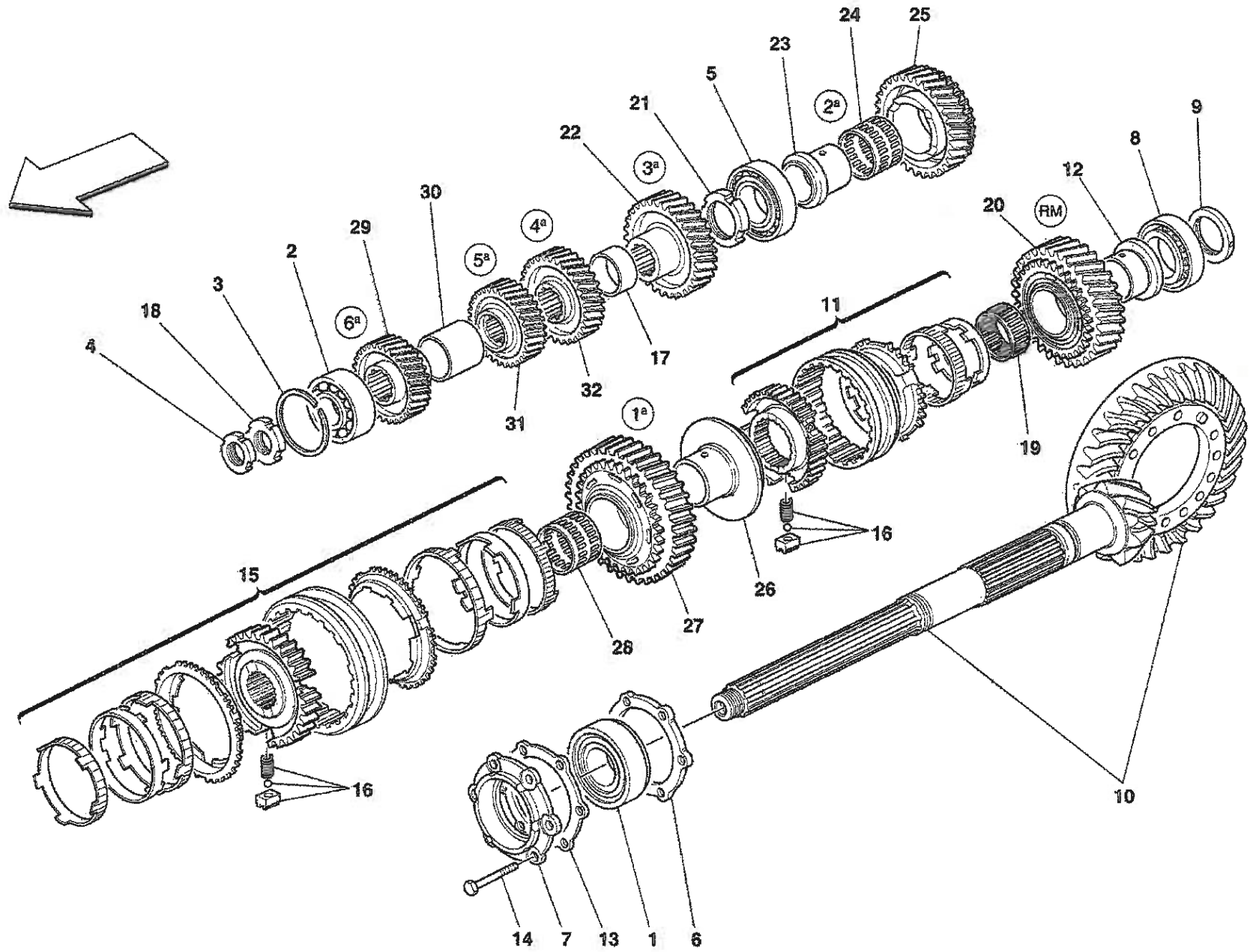


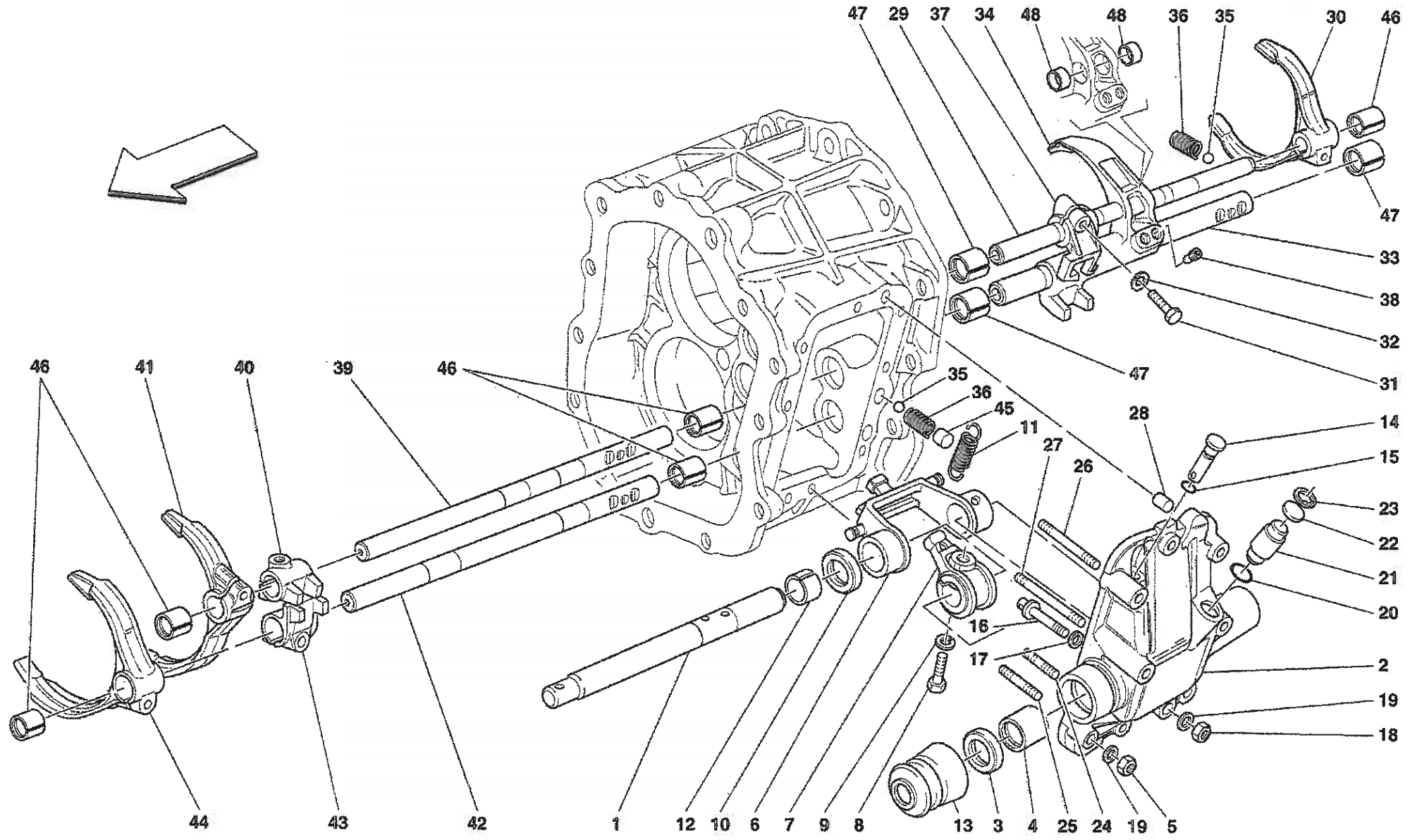


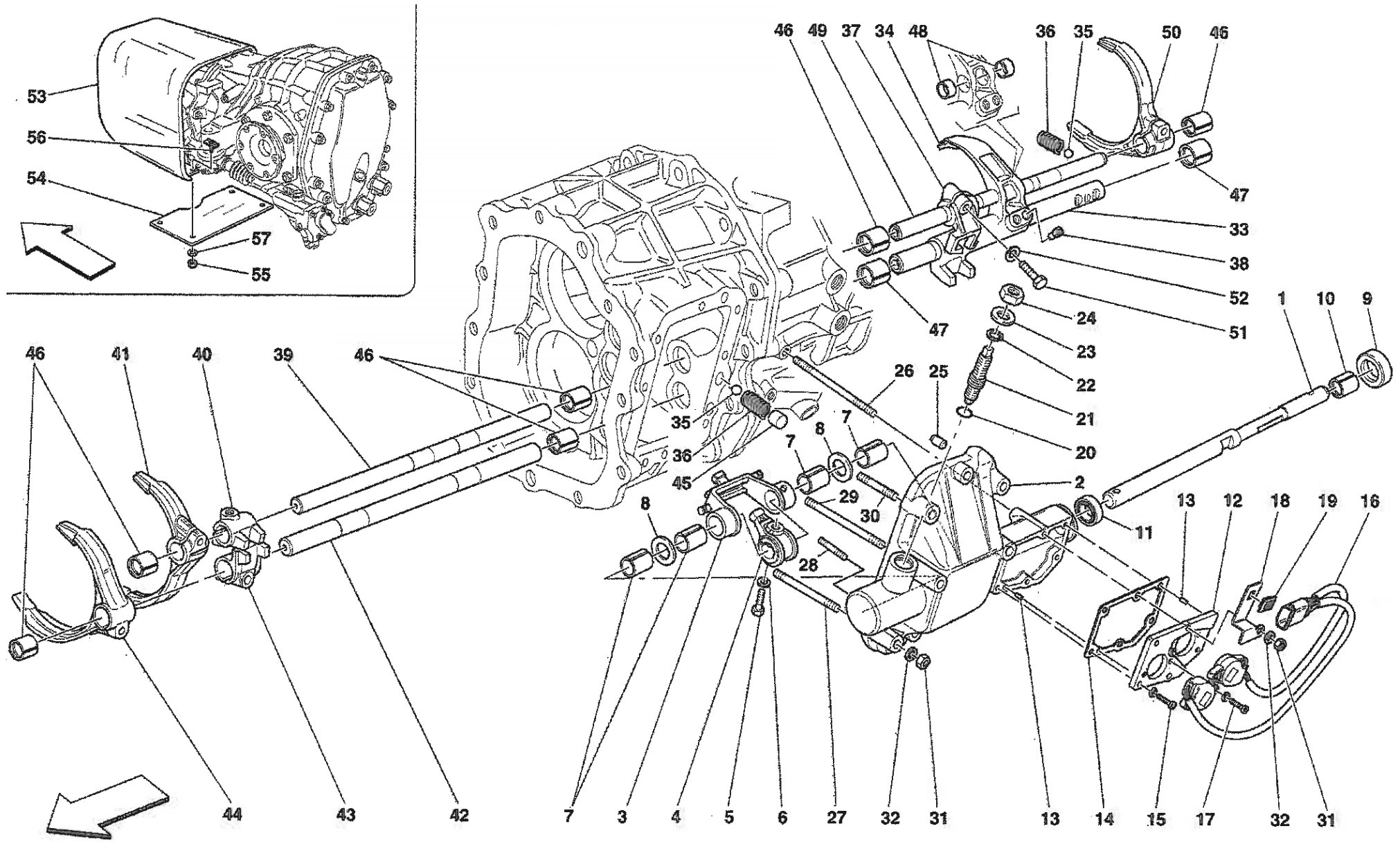
**Per la sostituzione del differenziale  
vedere anche tavola 38  
For replacement of differential  
see also table 38**

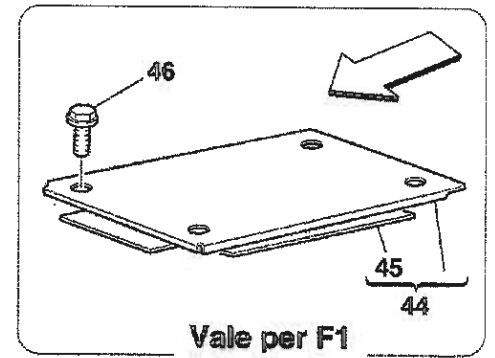
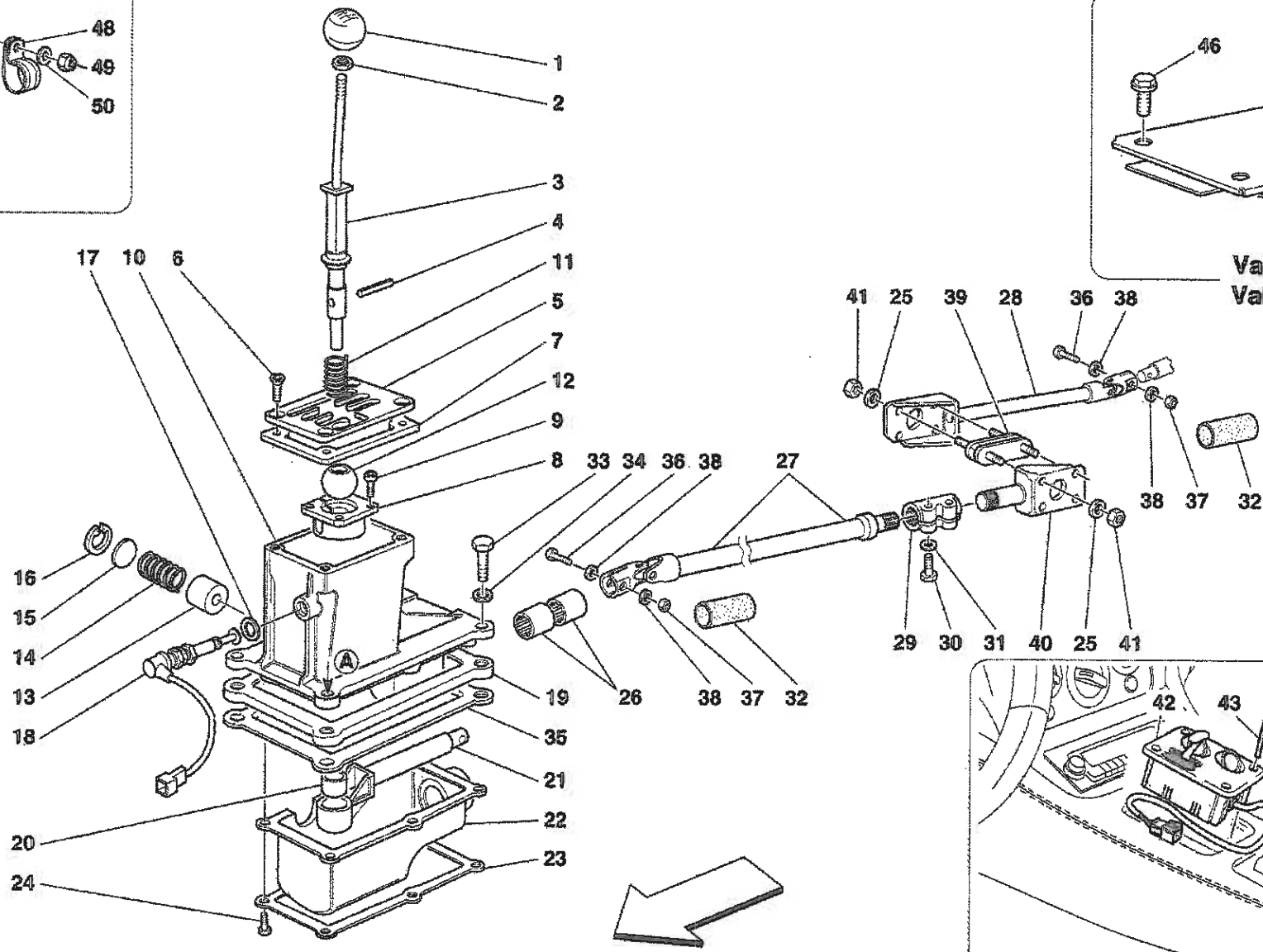
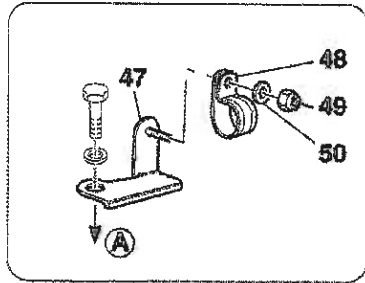




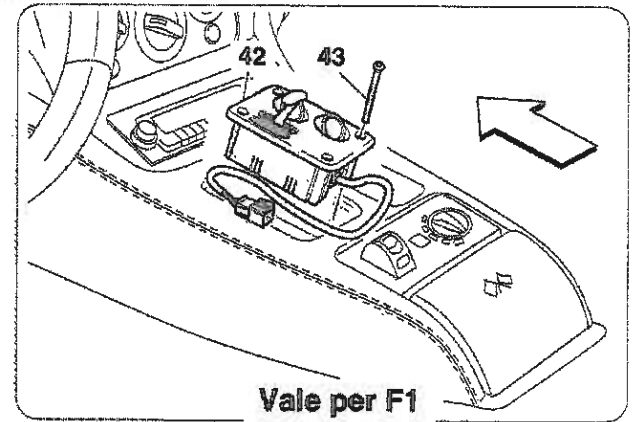




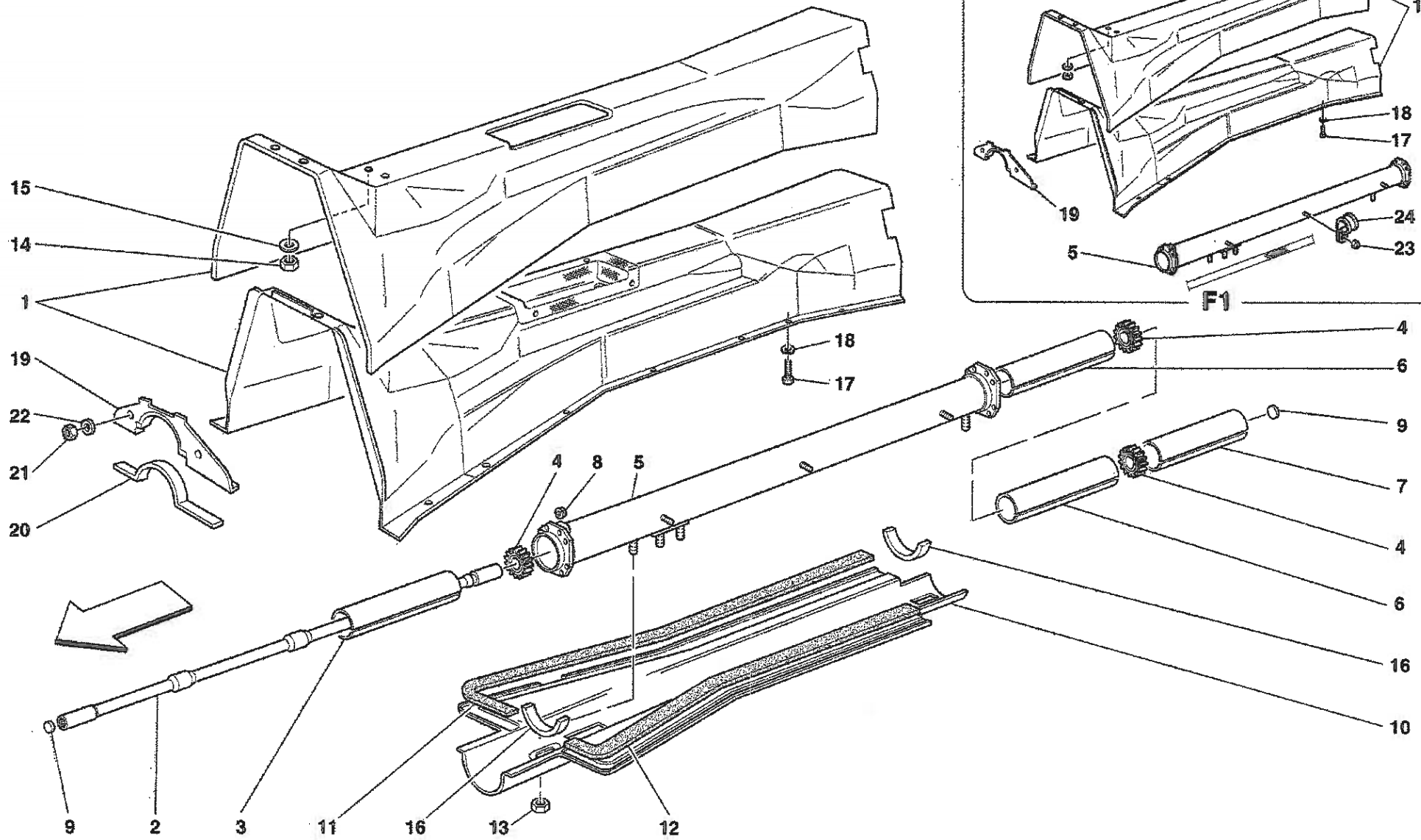


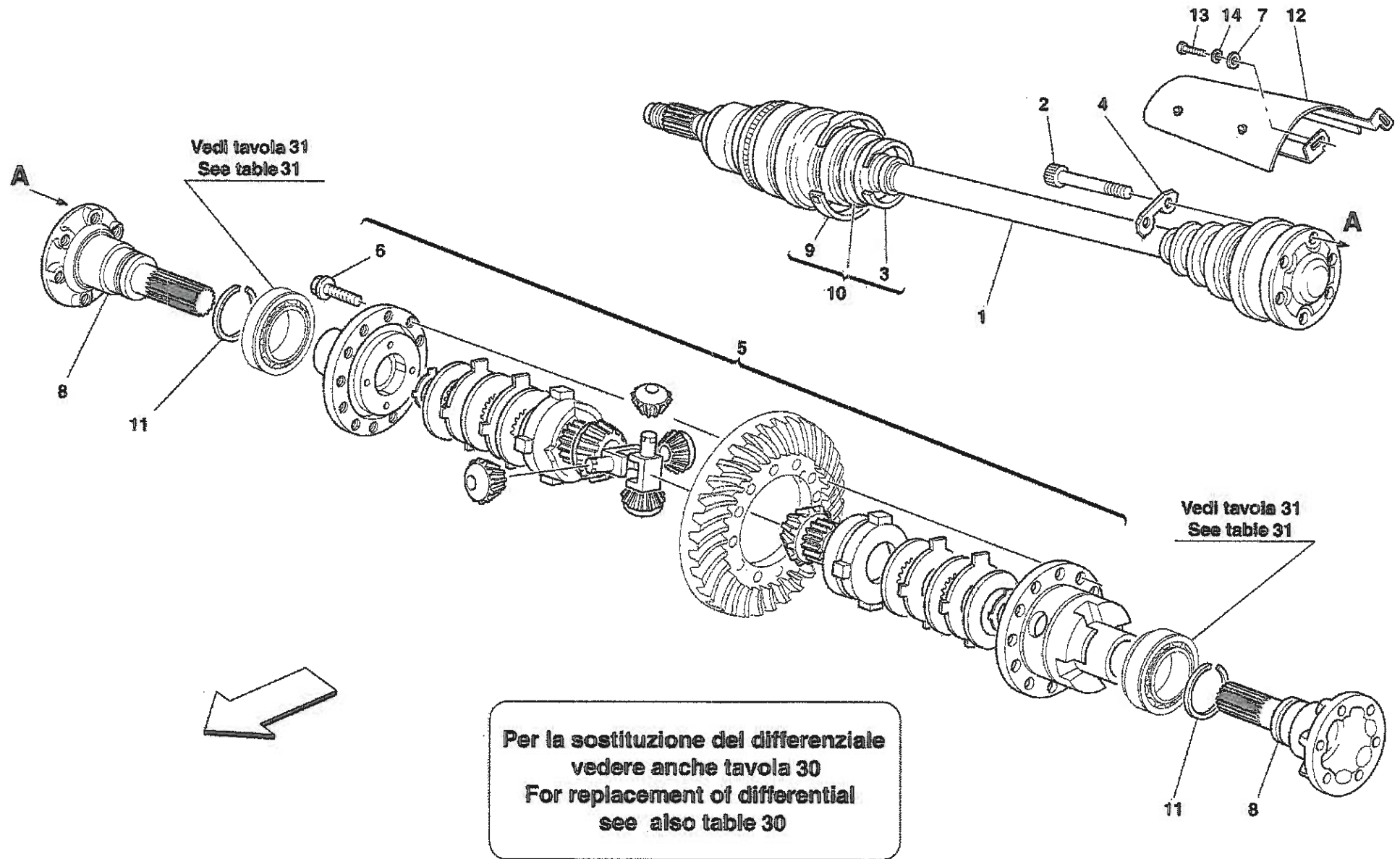


Vale per F1  
Valid for F1

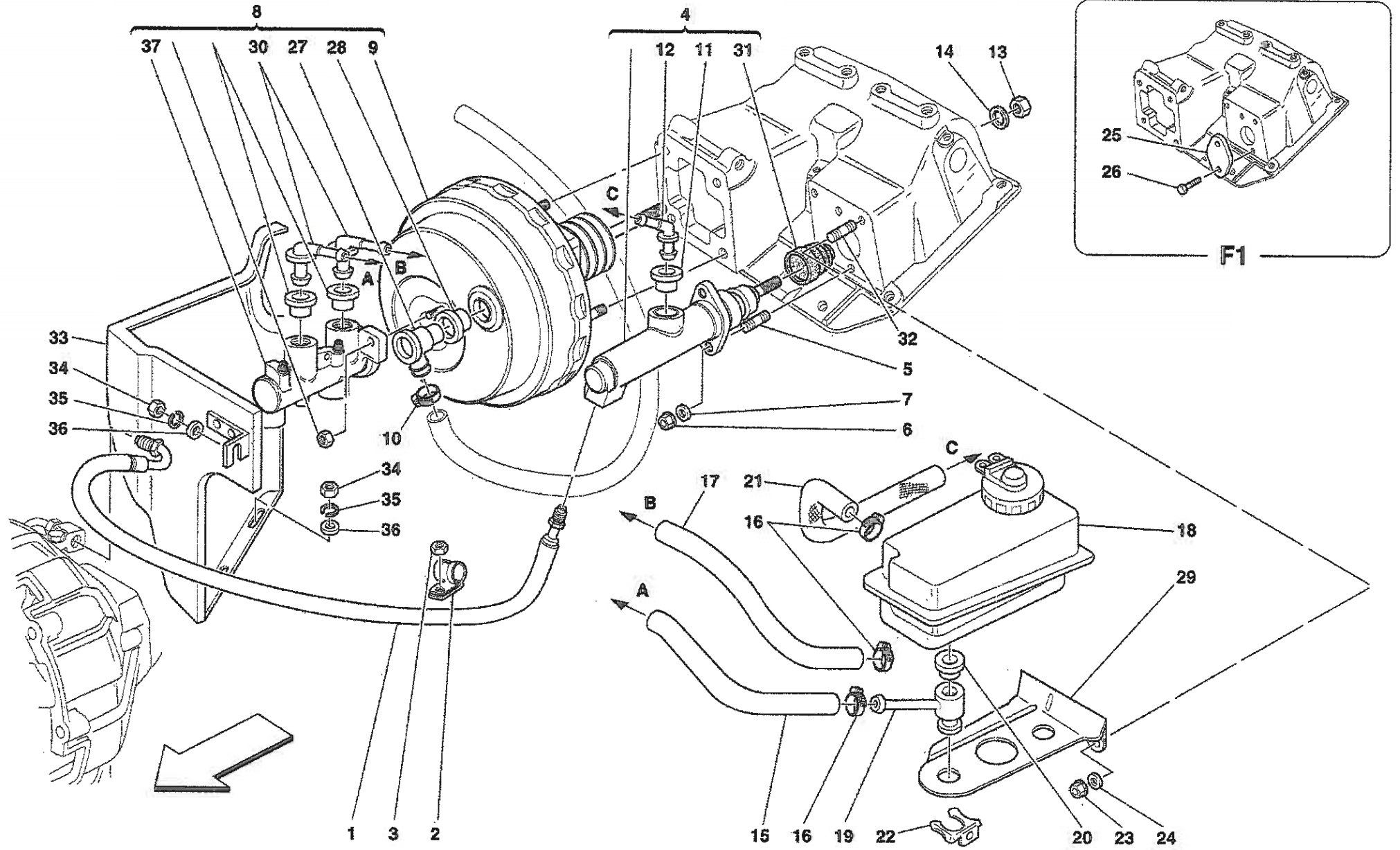


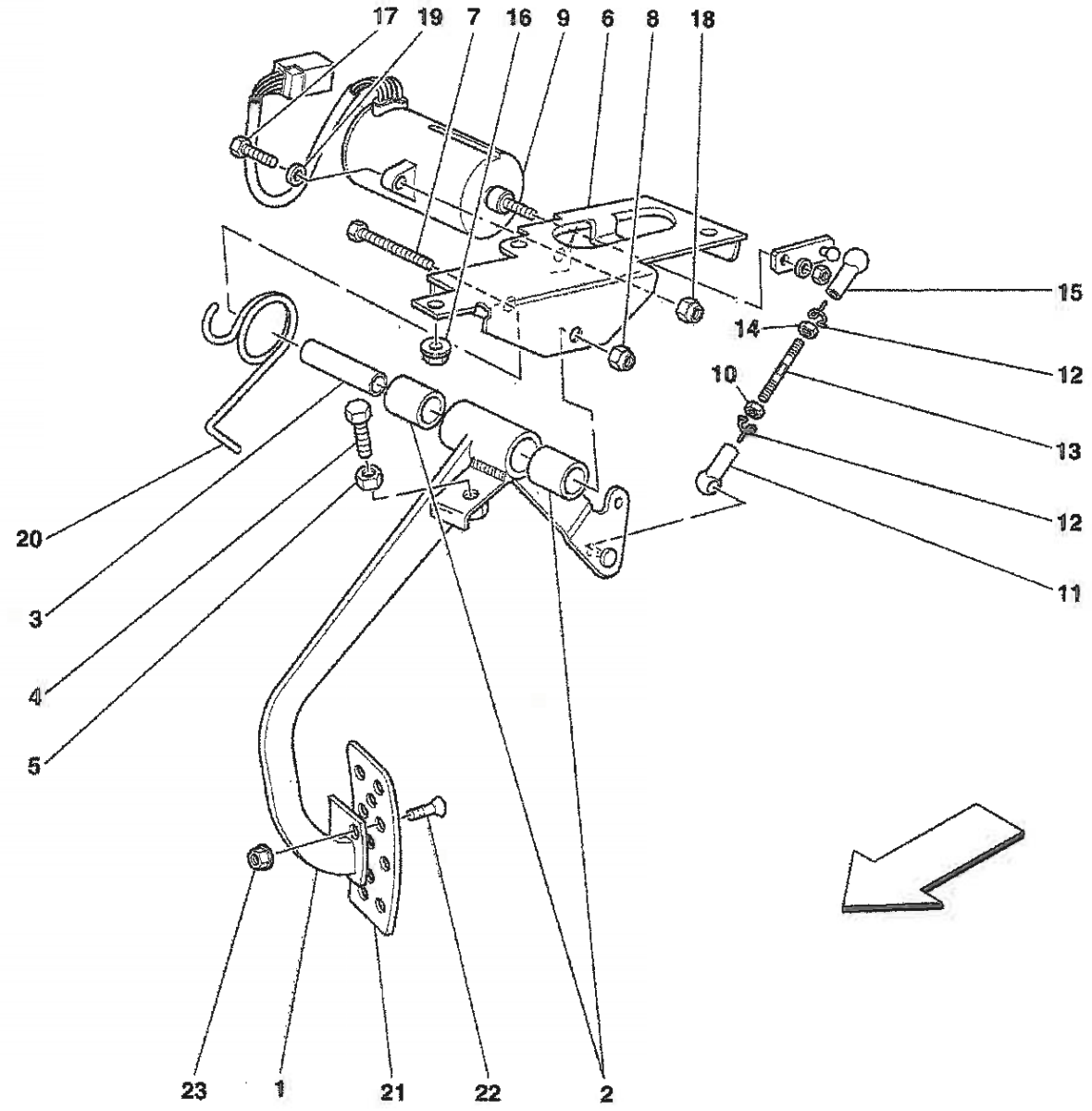
Vale per F1  
Valid for F1

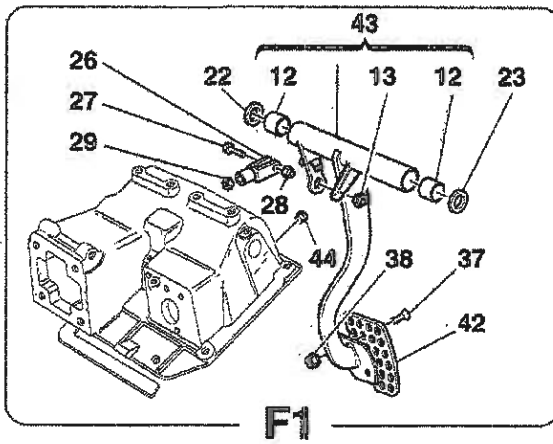
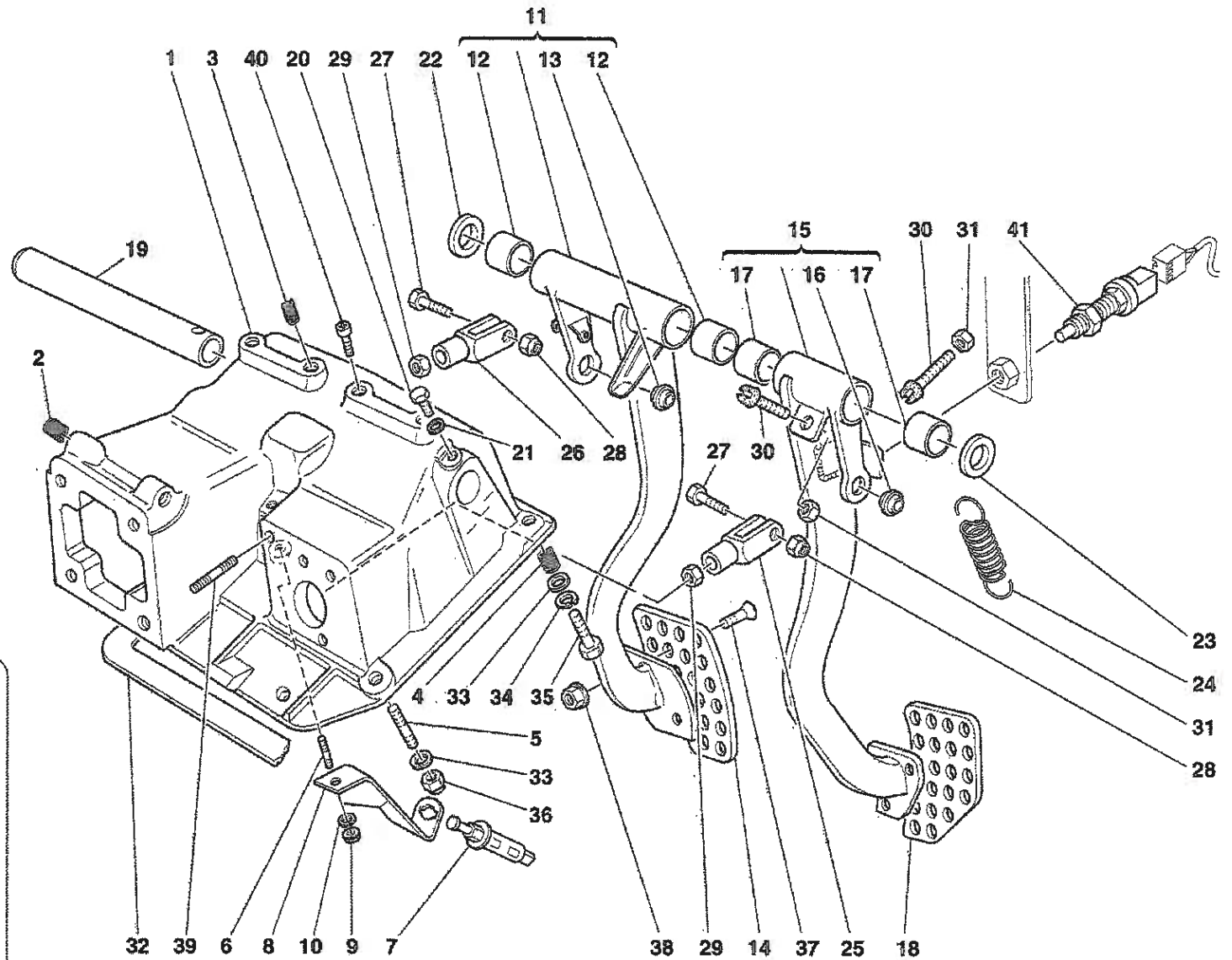
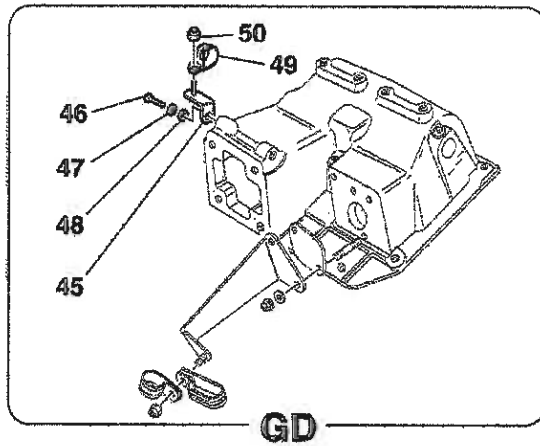


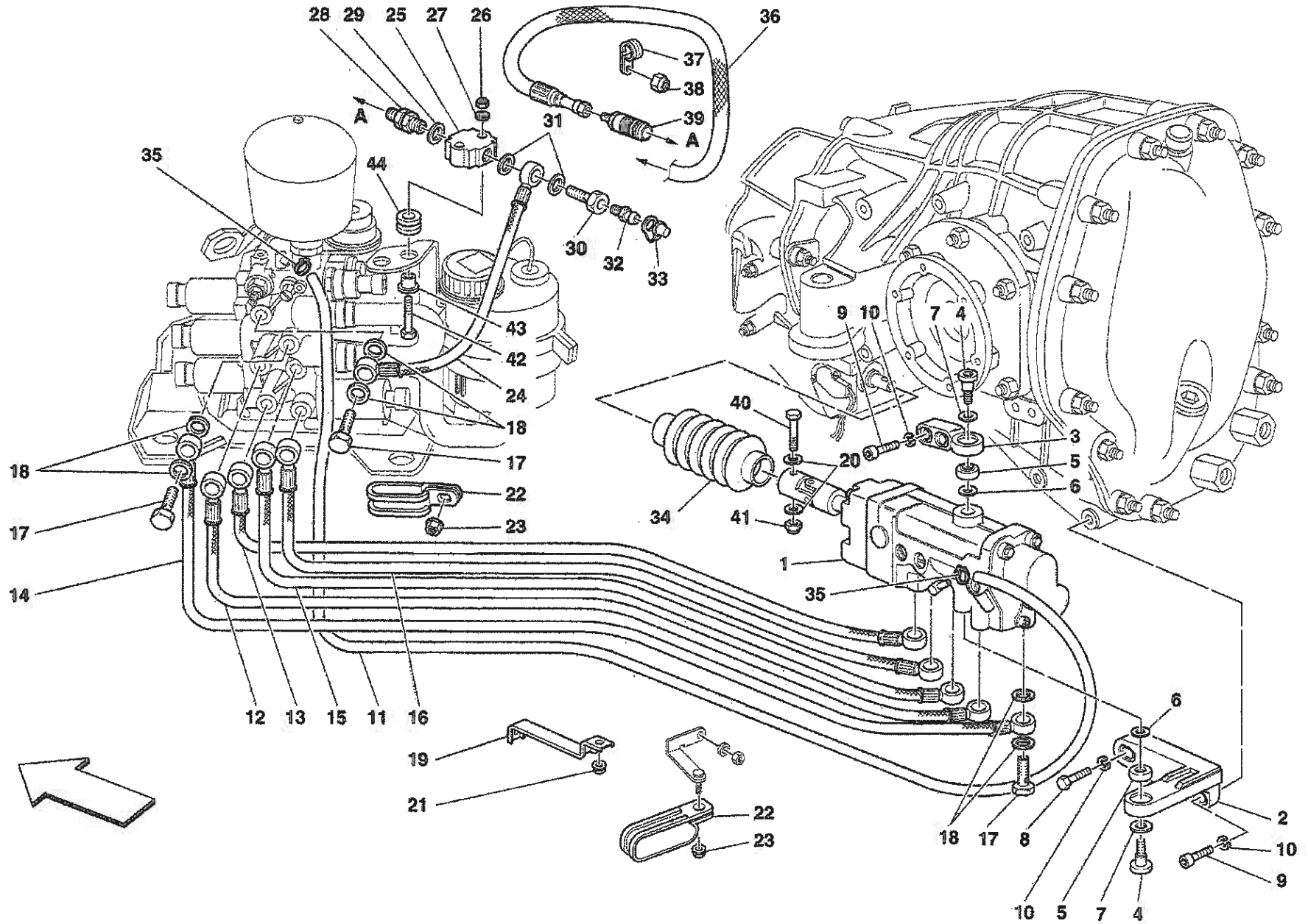


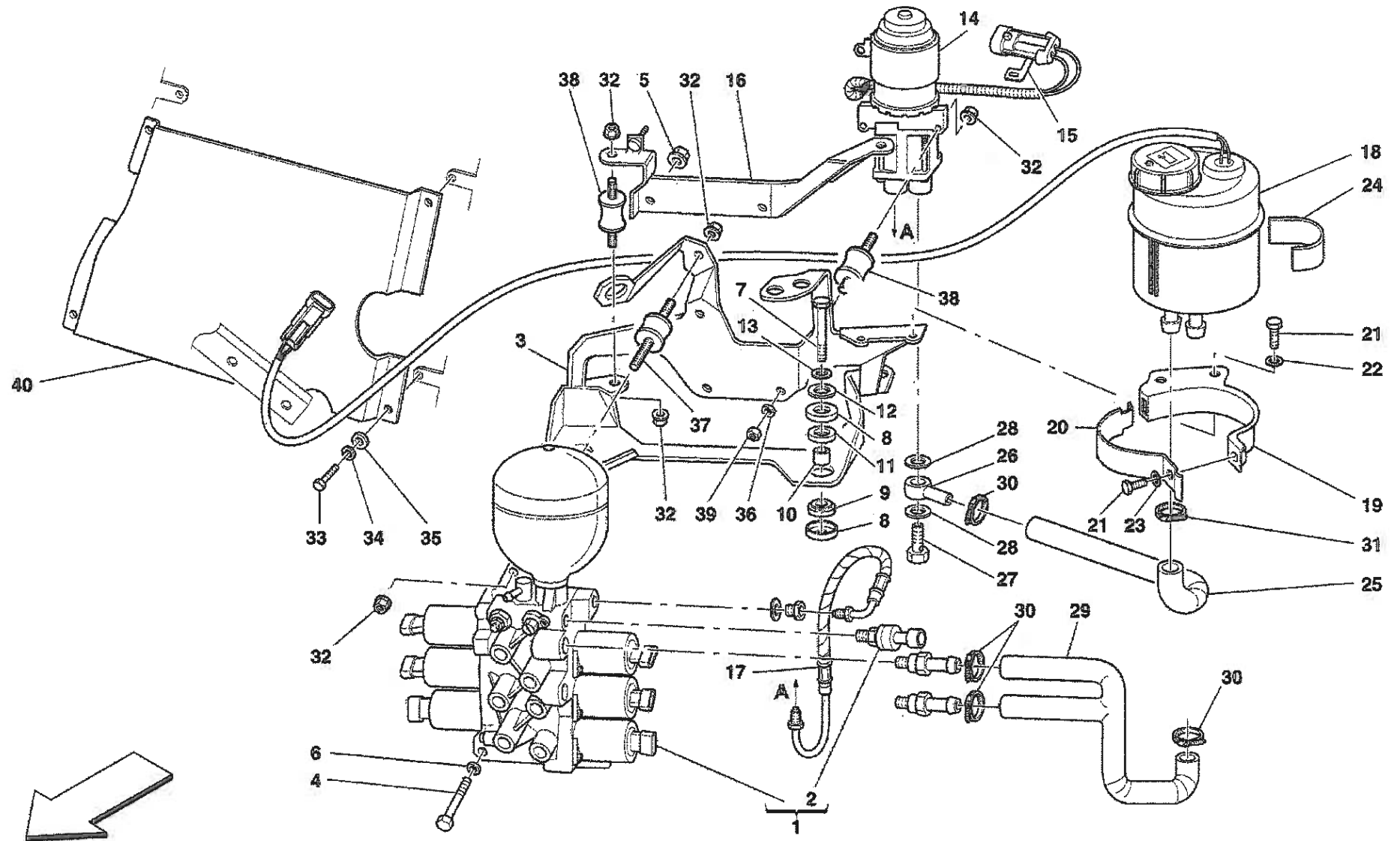


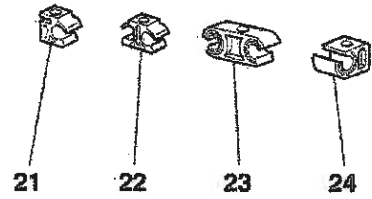
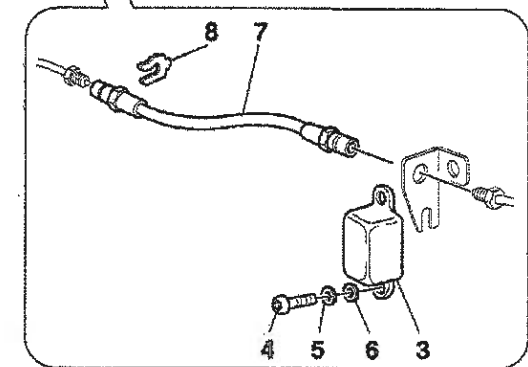
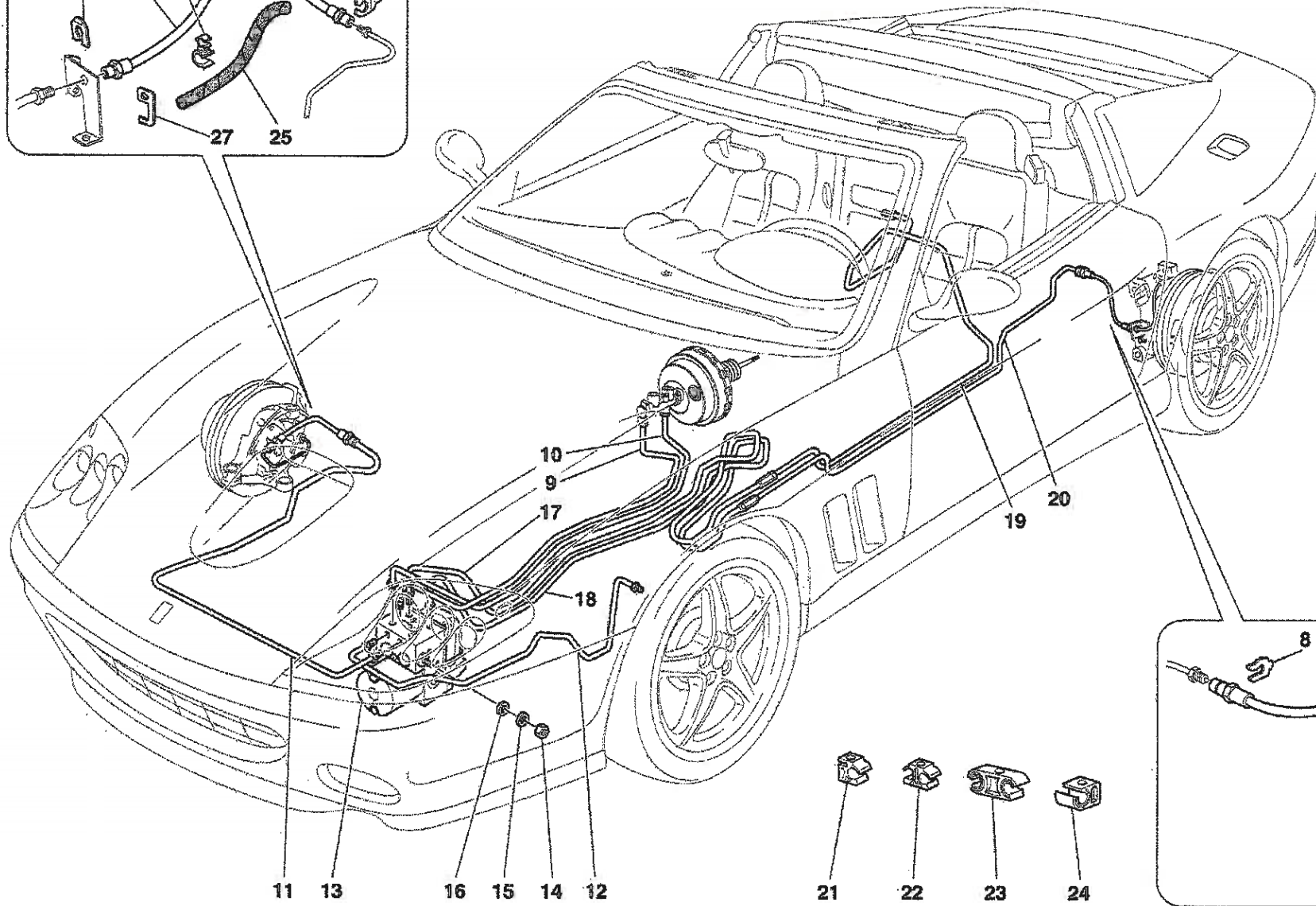
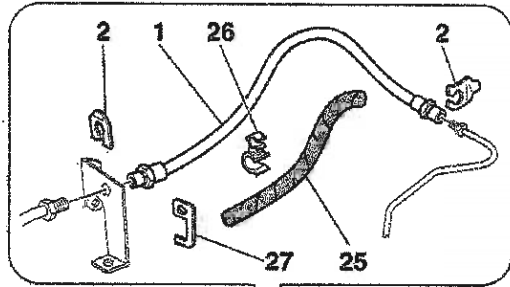


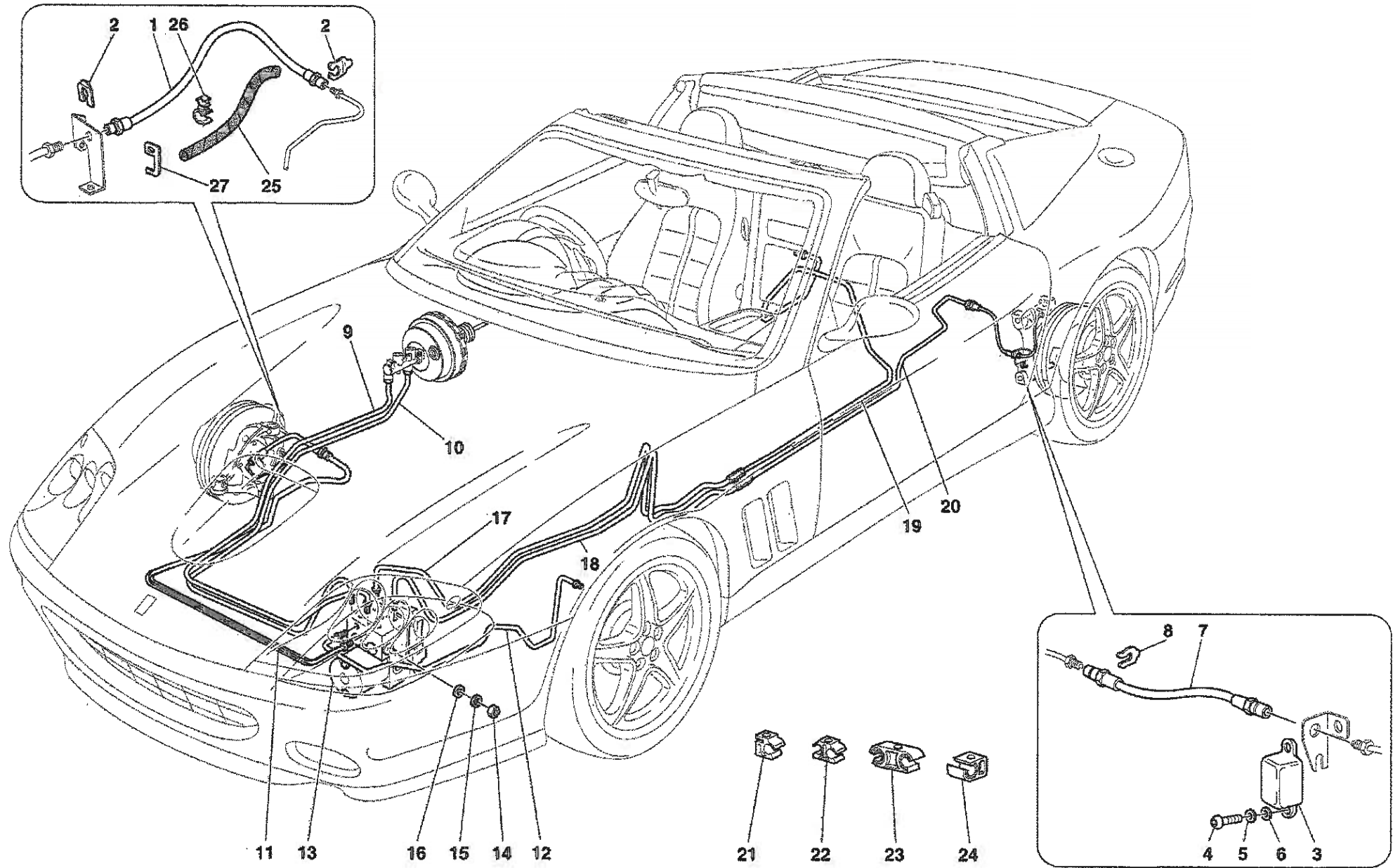


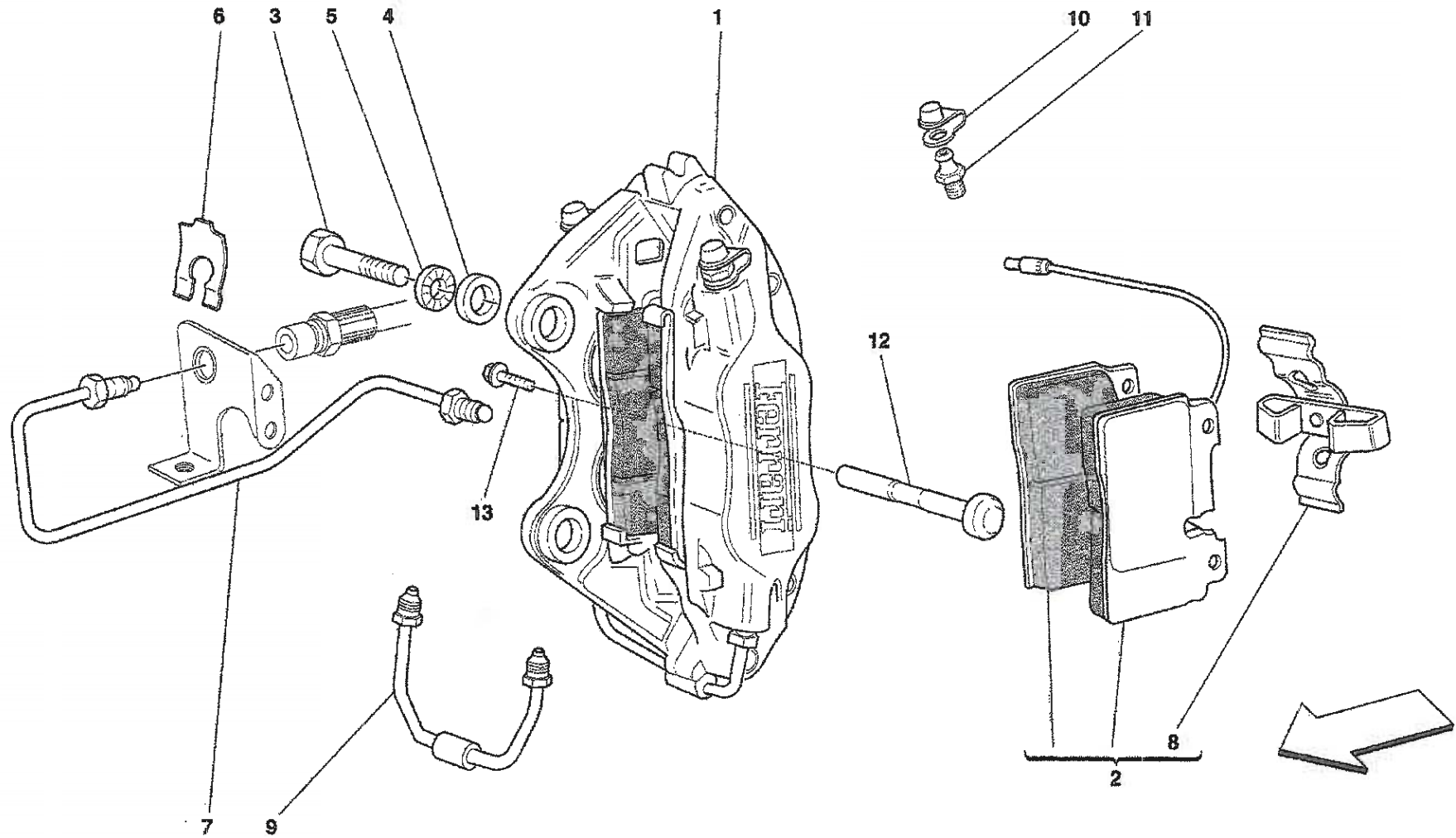




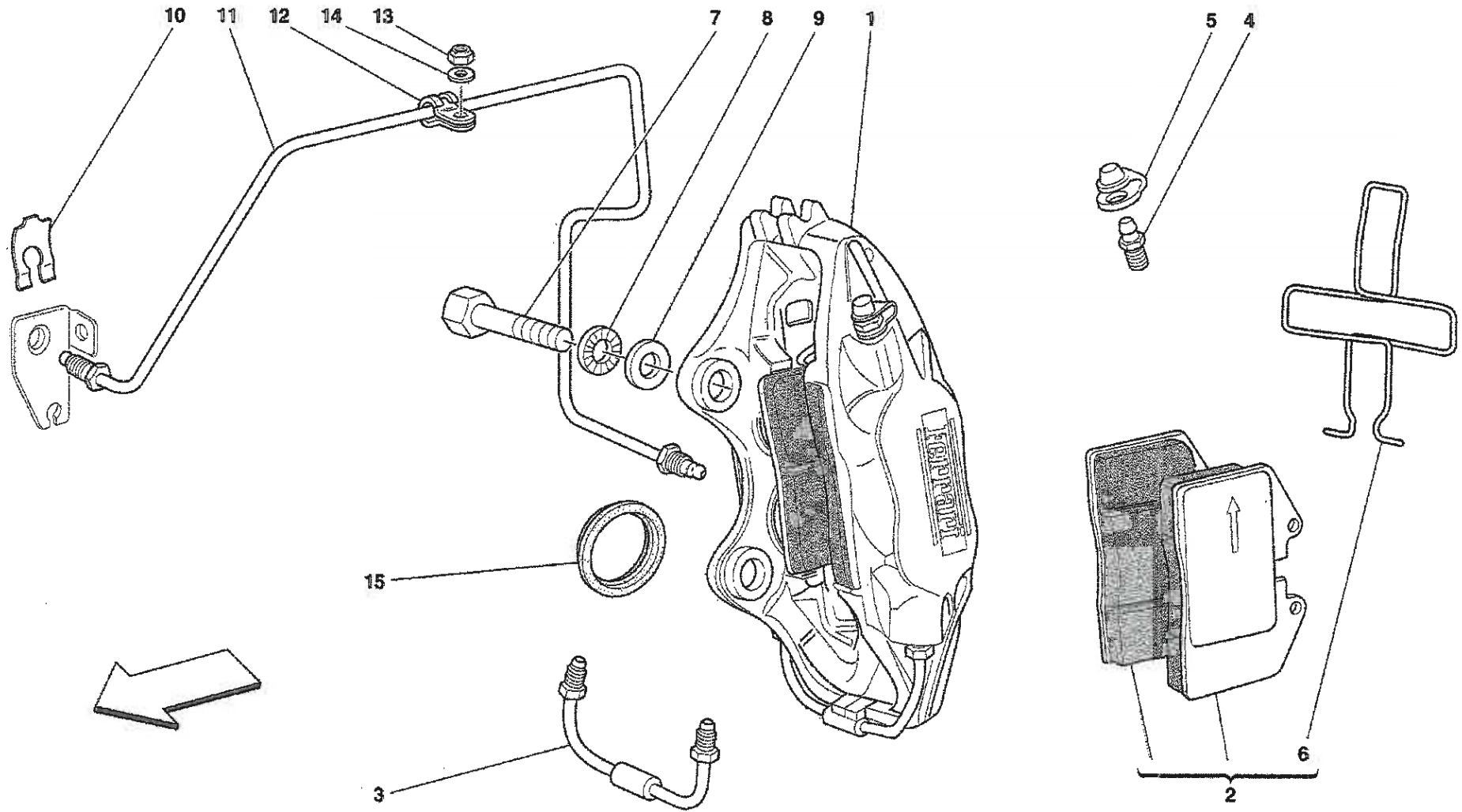


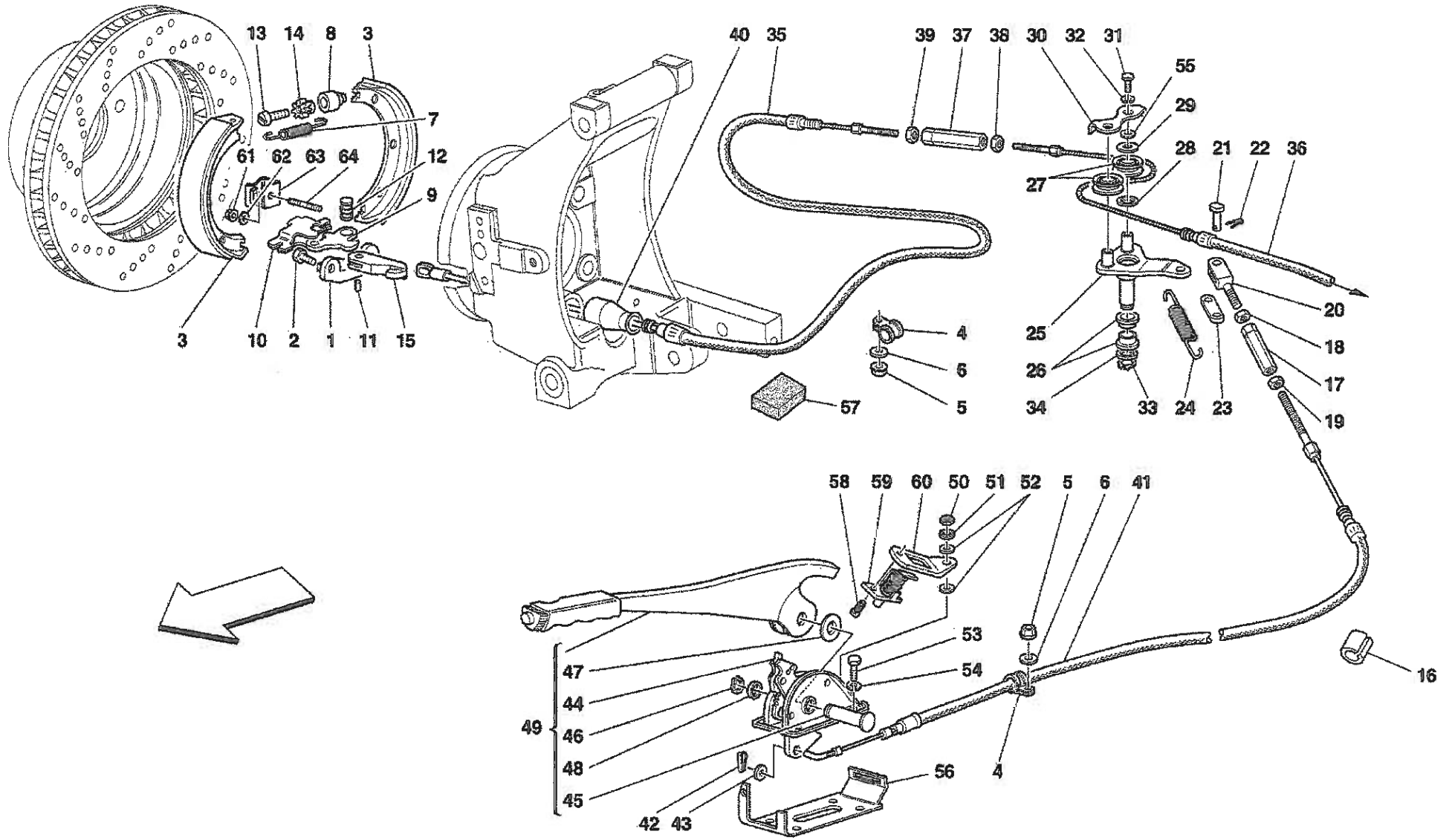


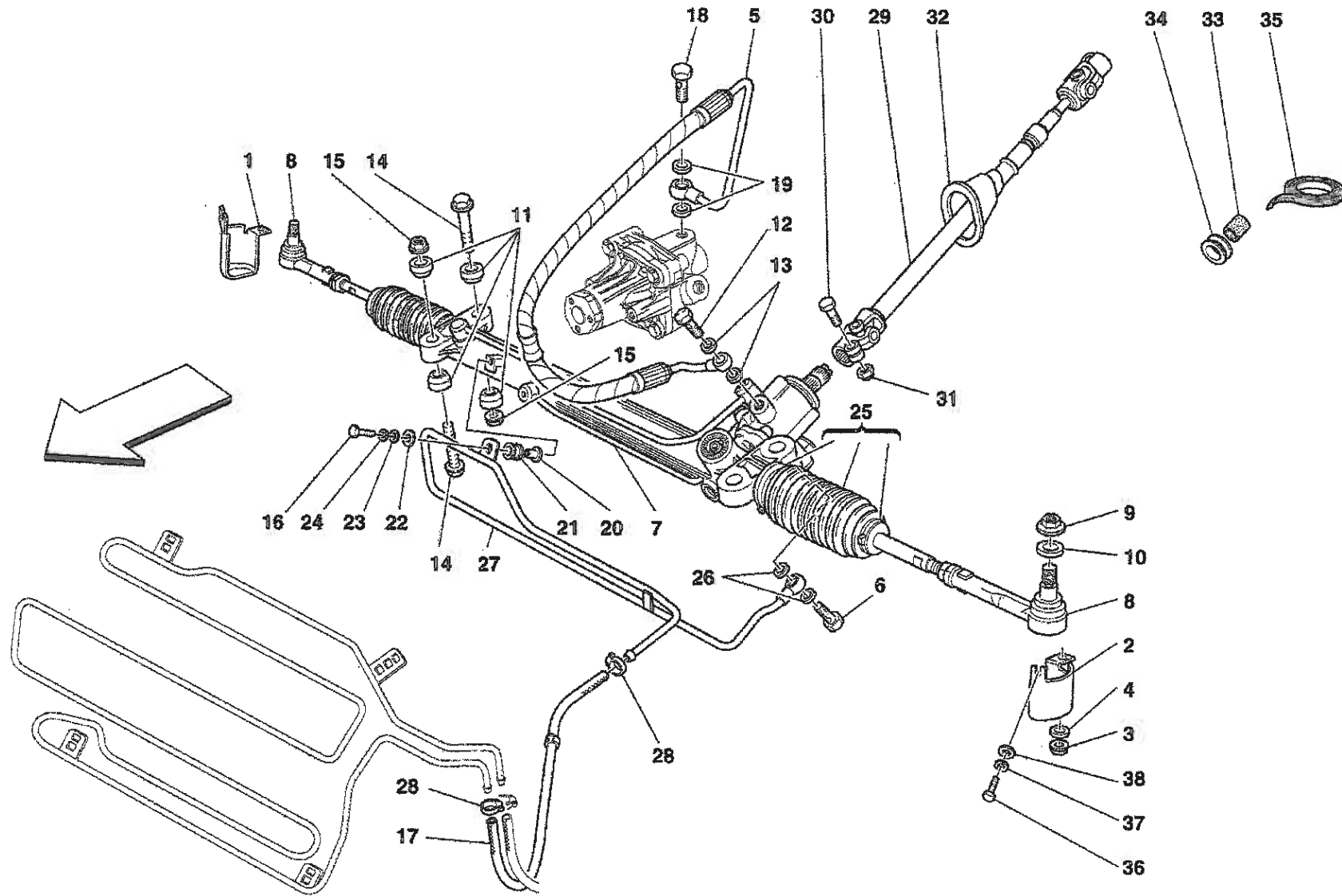


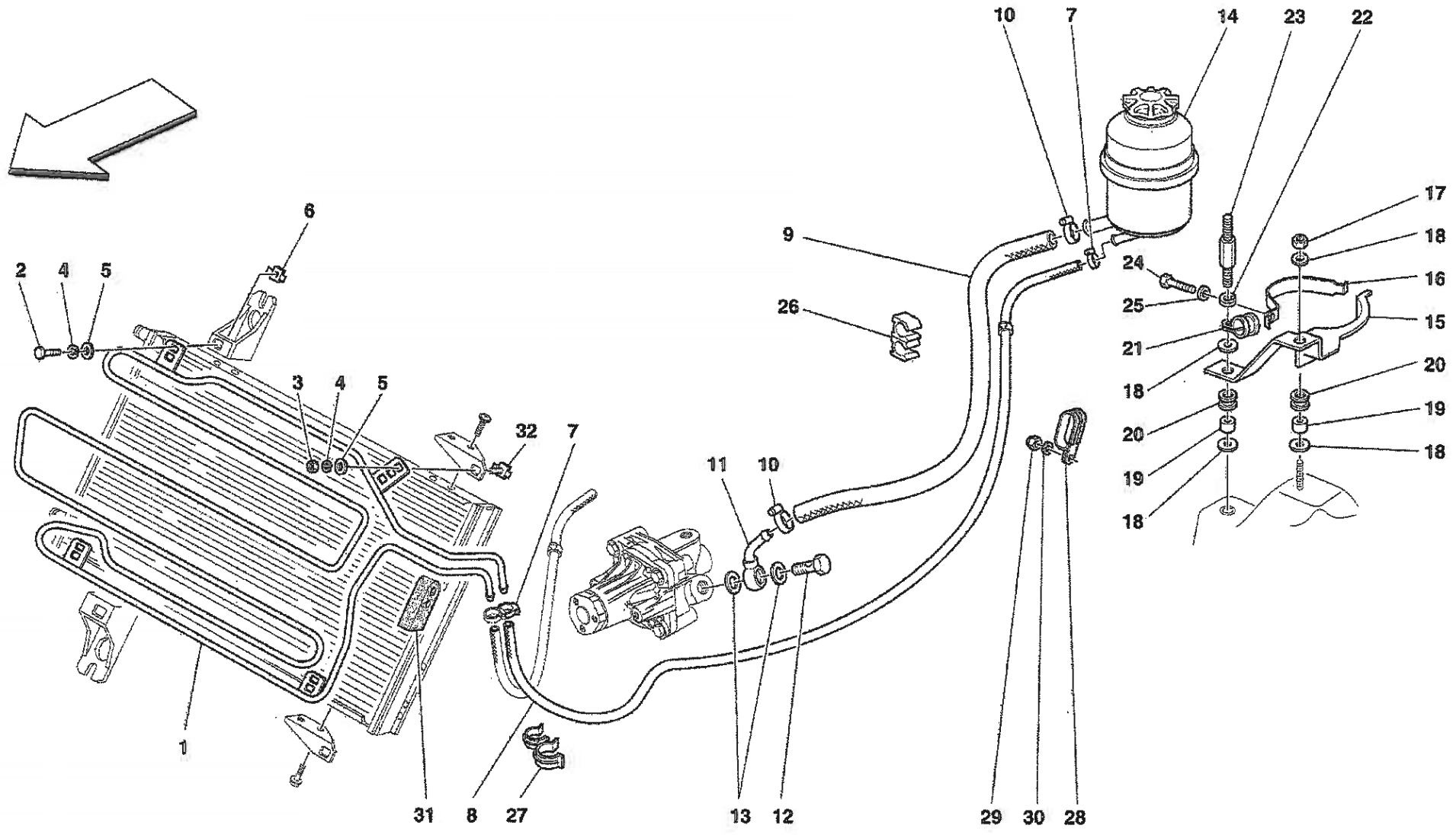


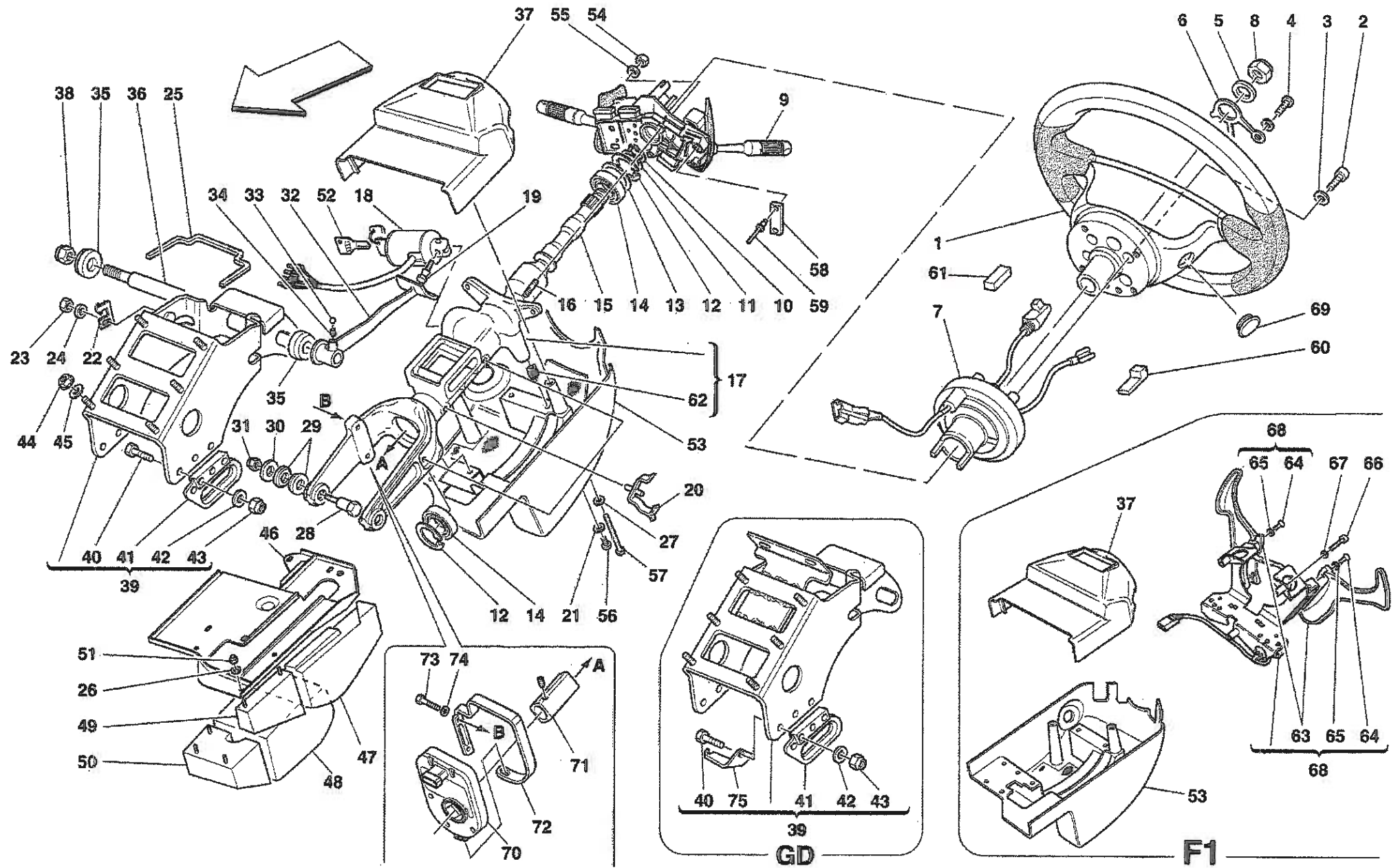


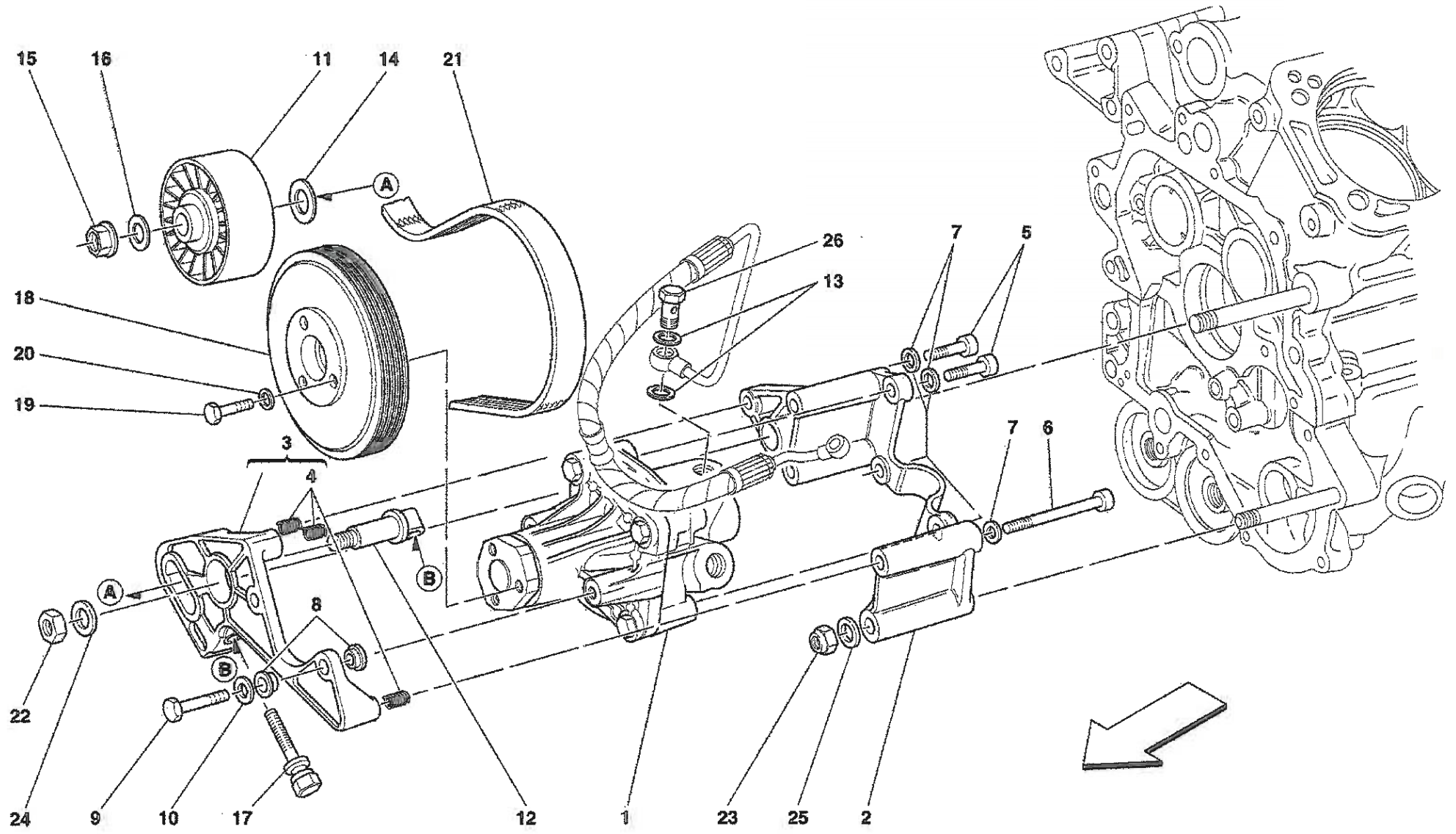


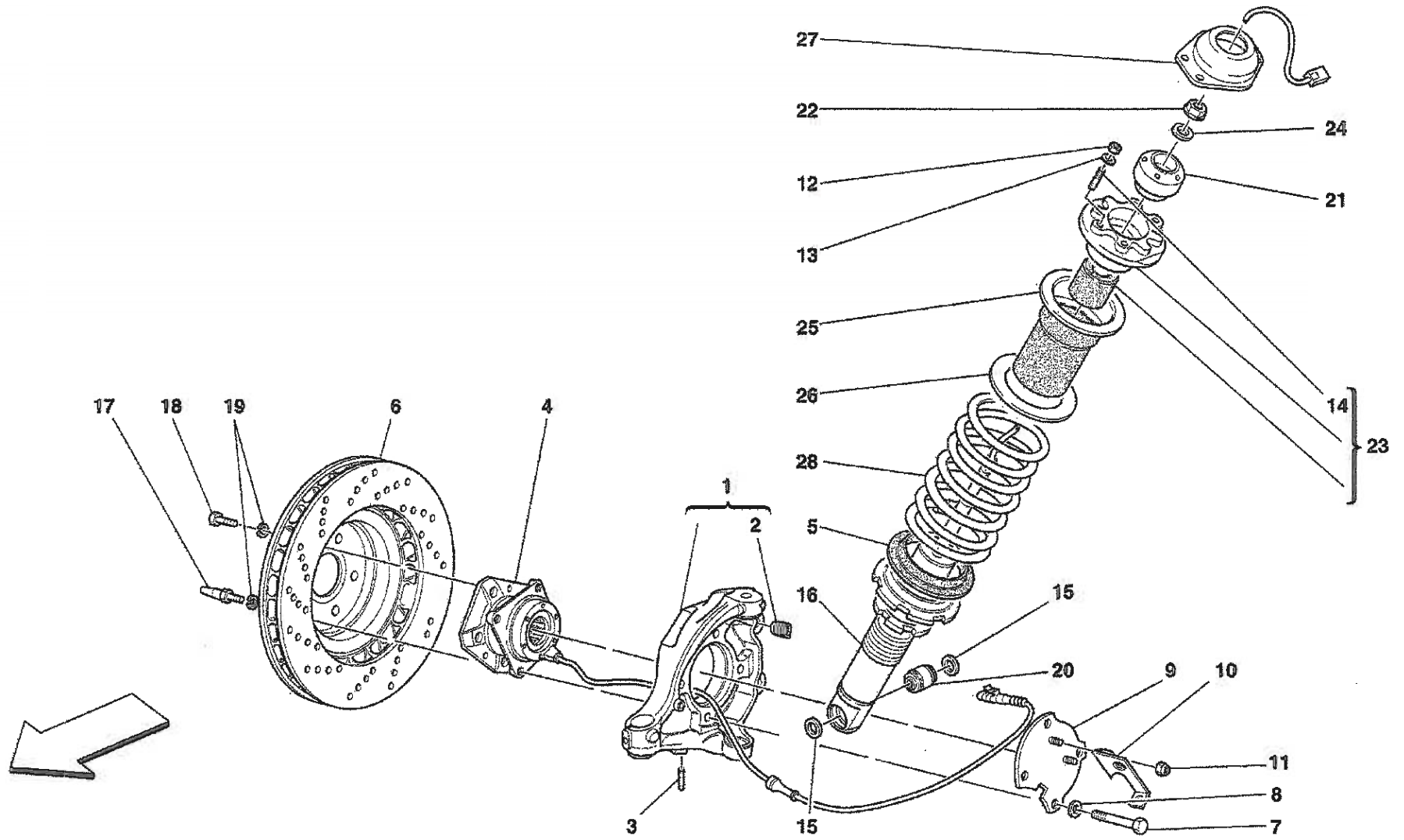


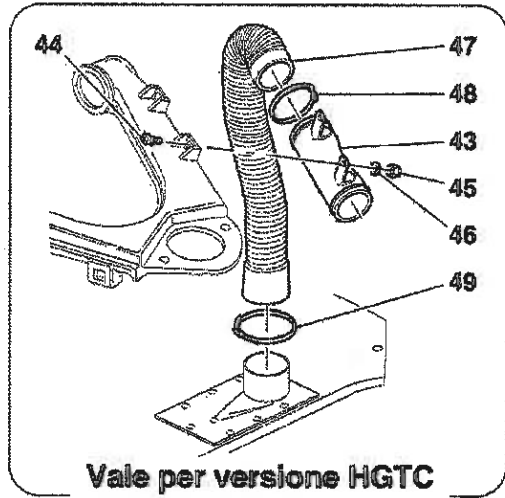




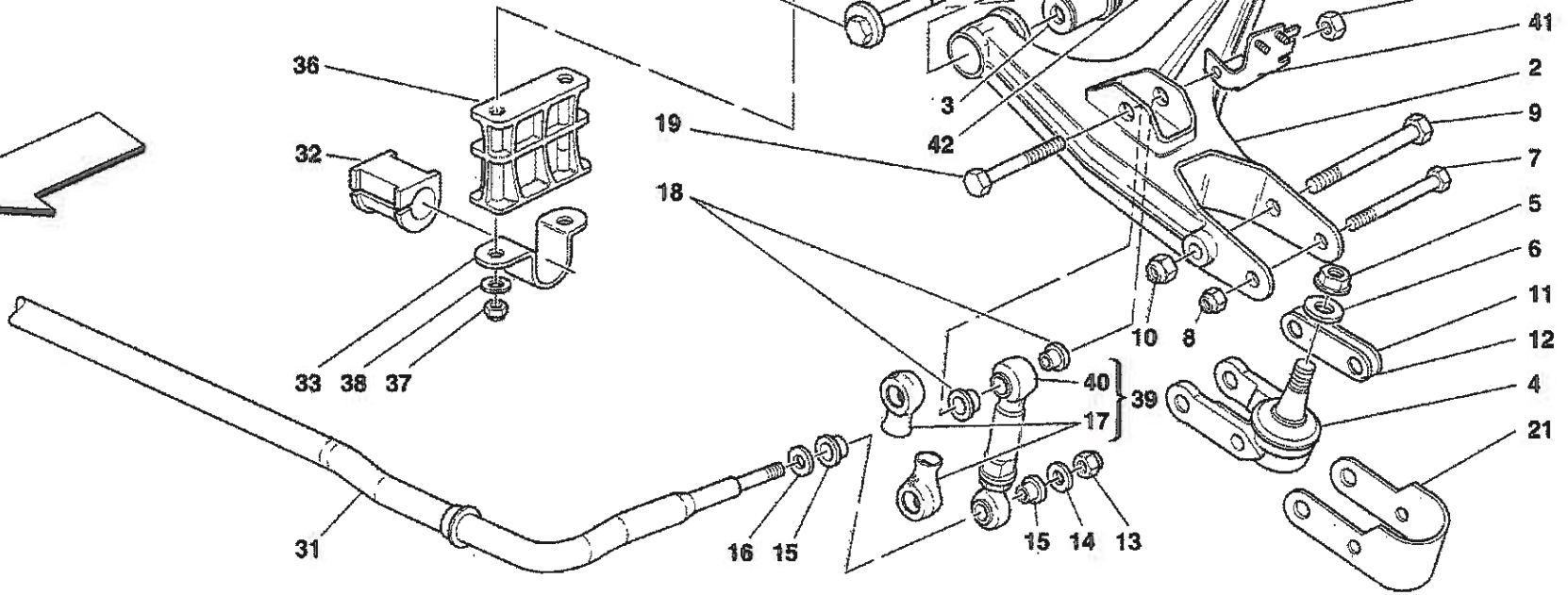




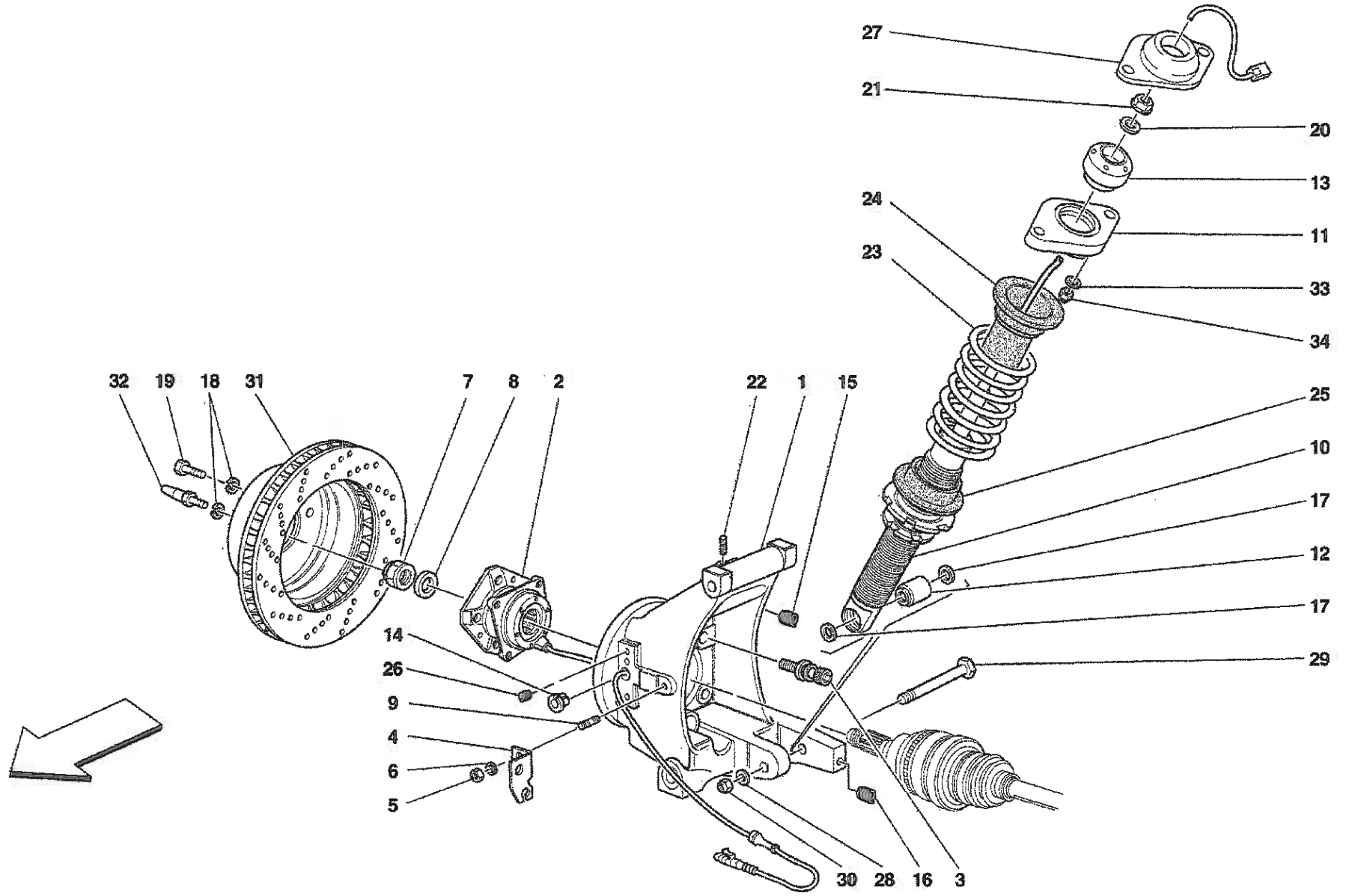


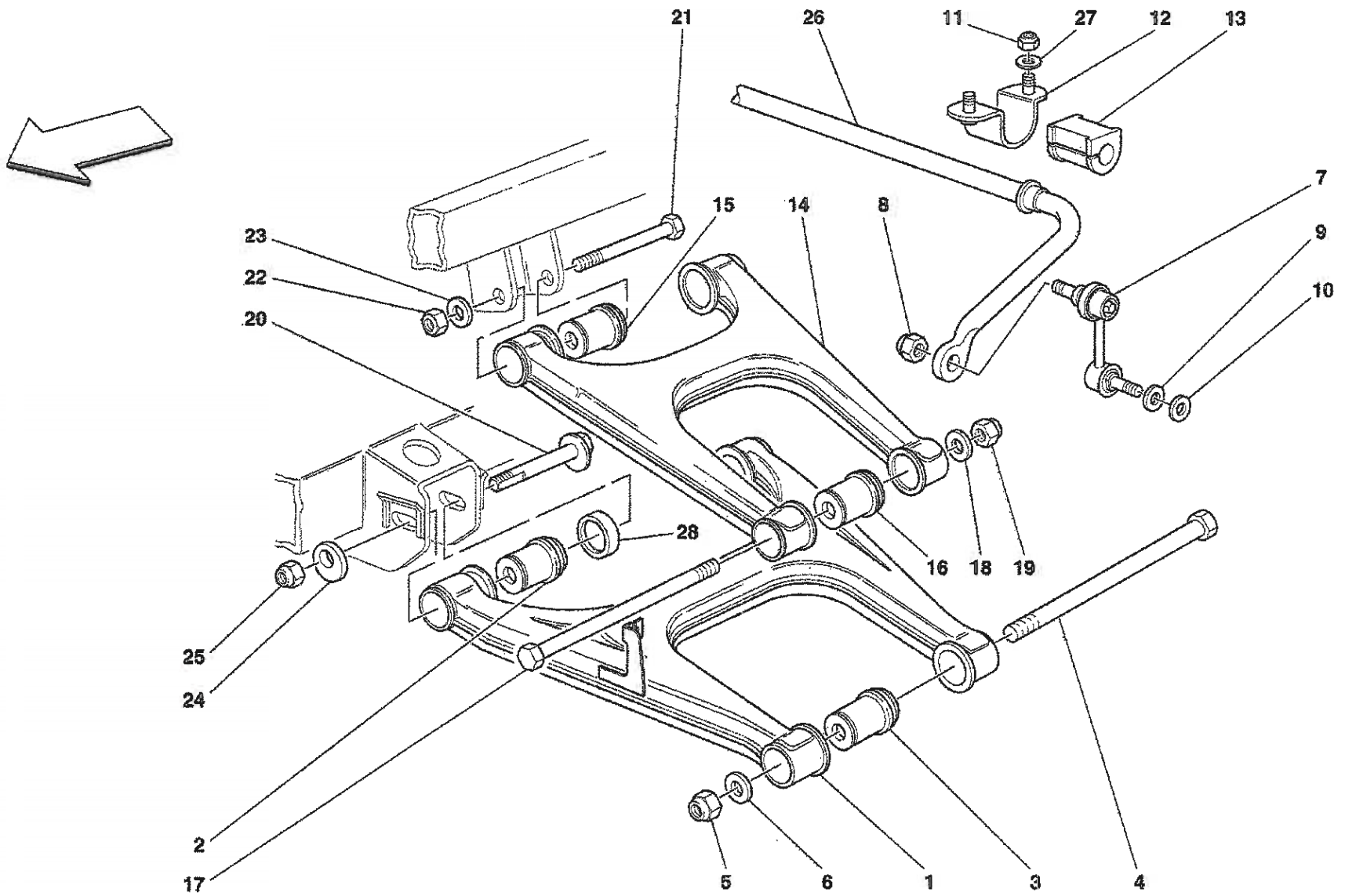


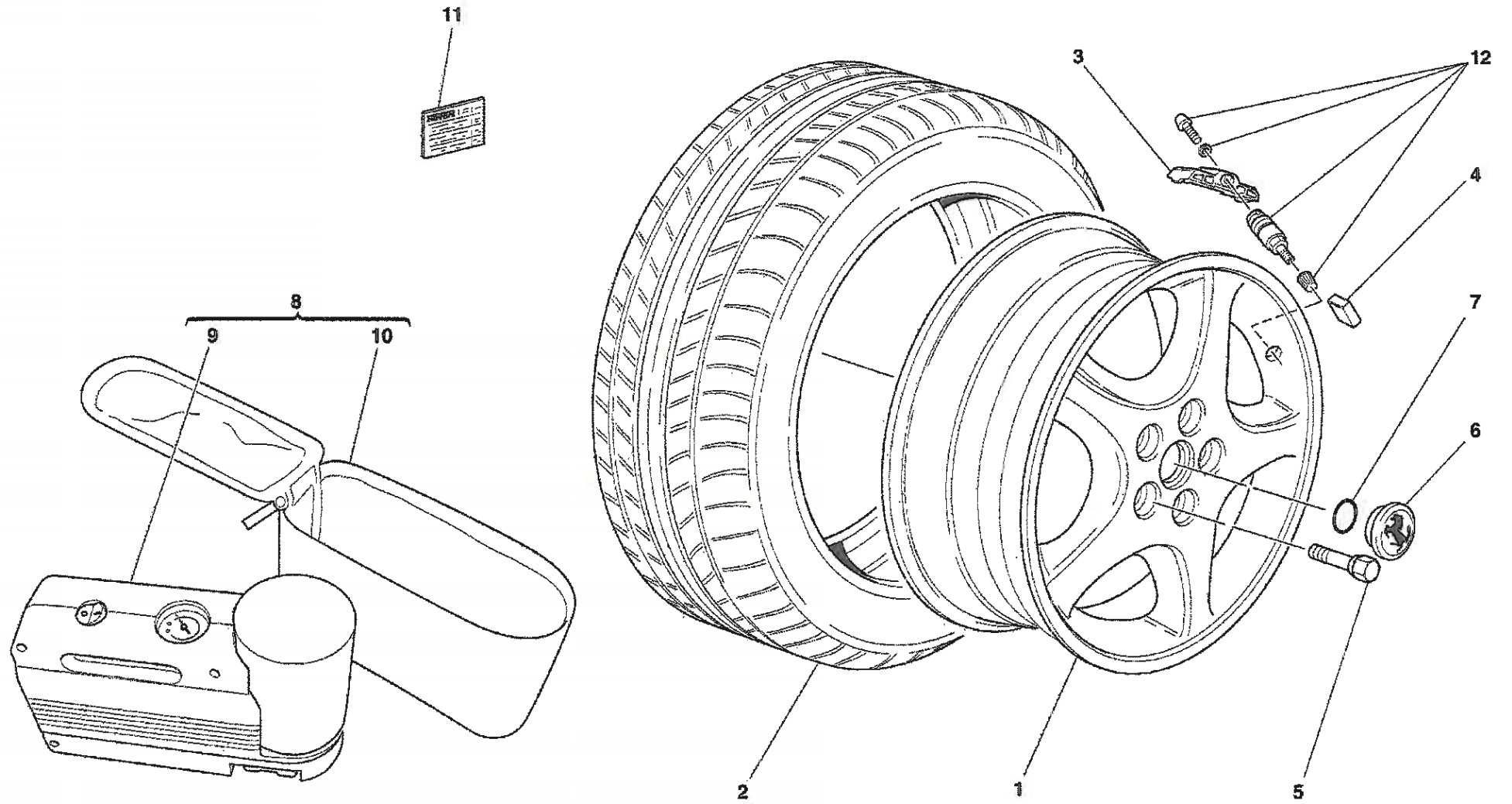
Vale per versione HGTC  
Valid for HGTC version

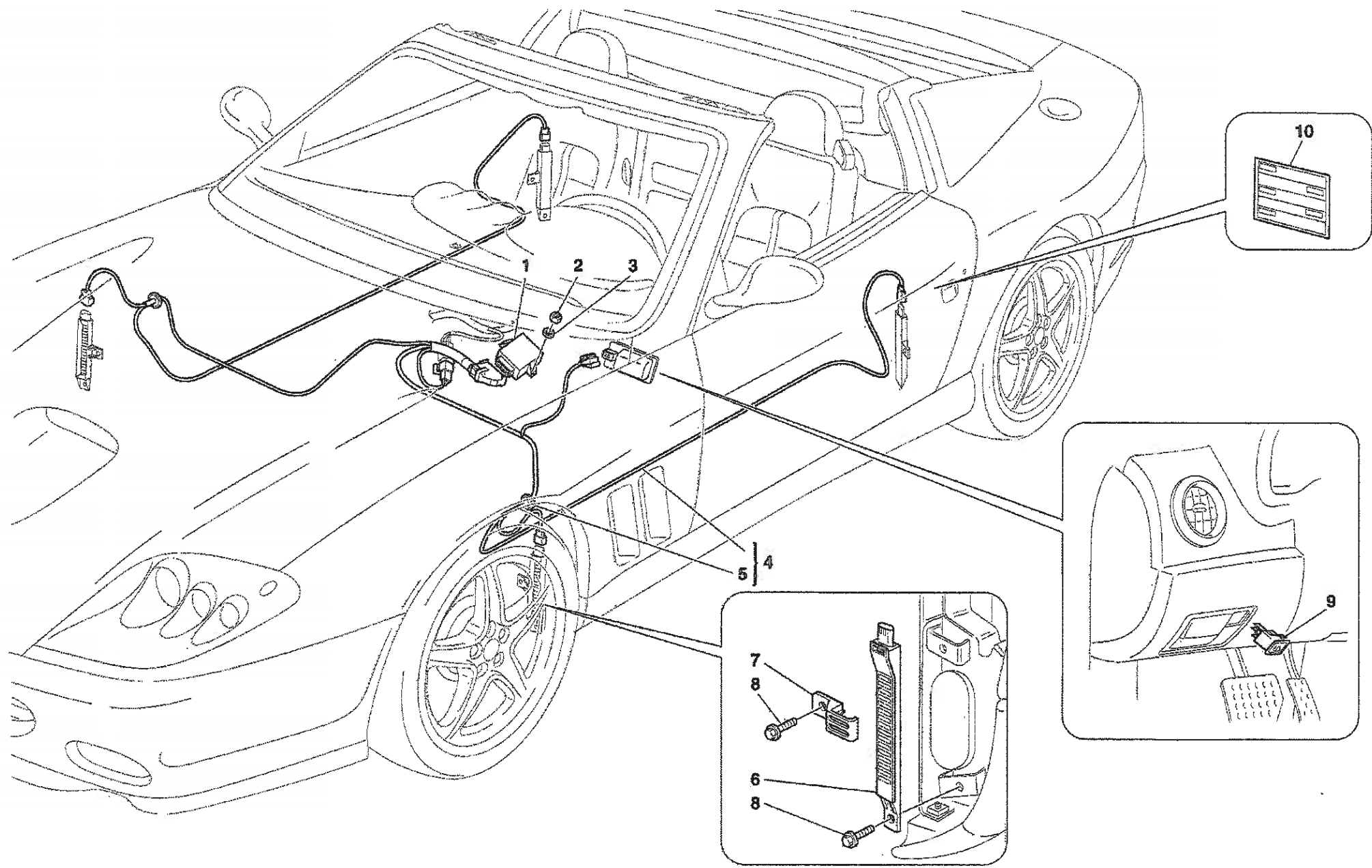


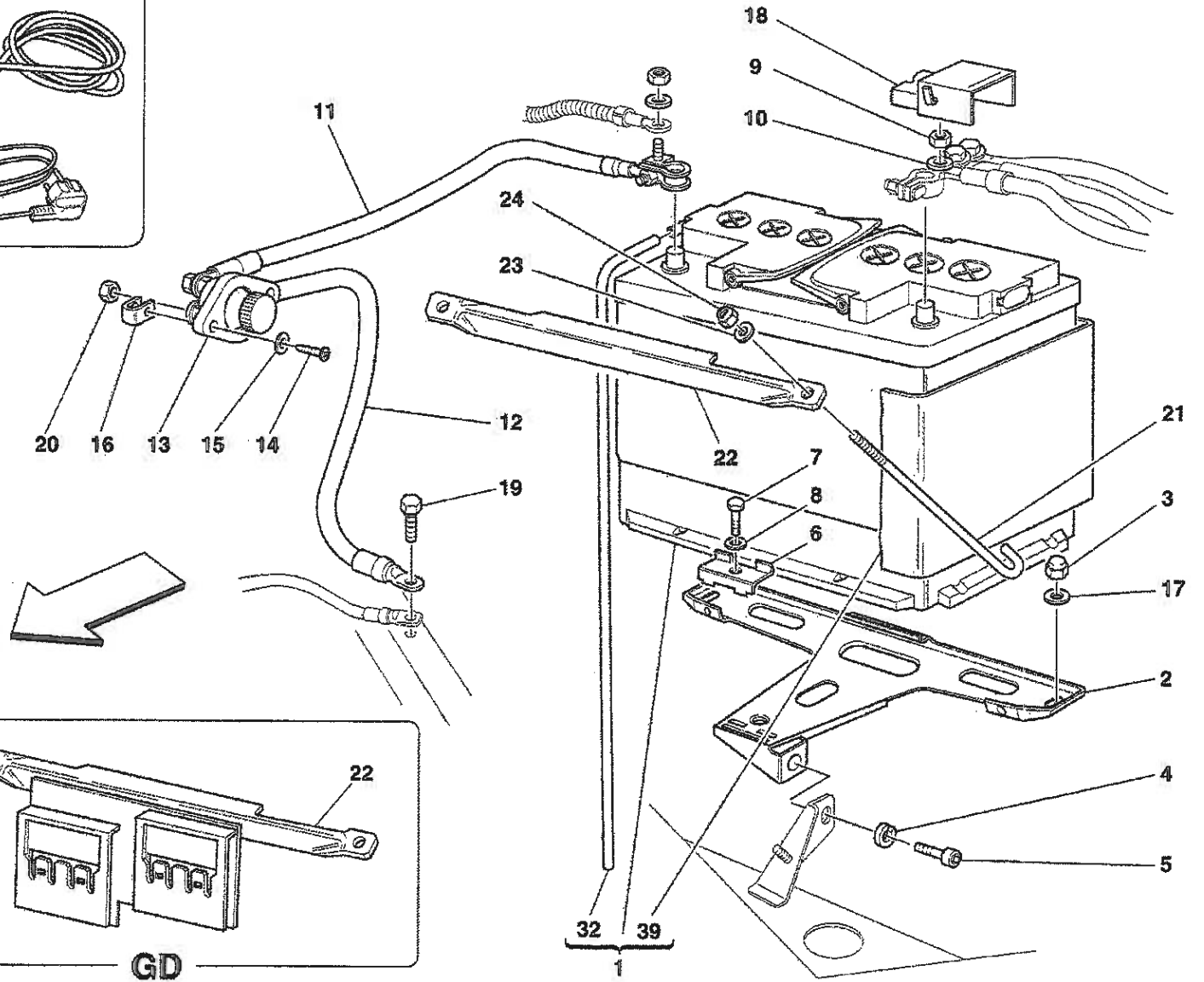
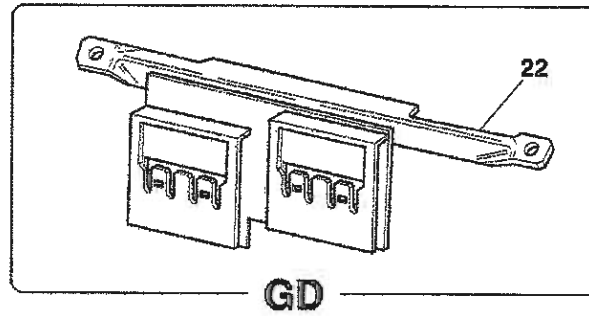
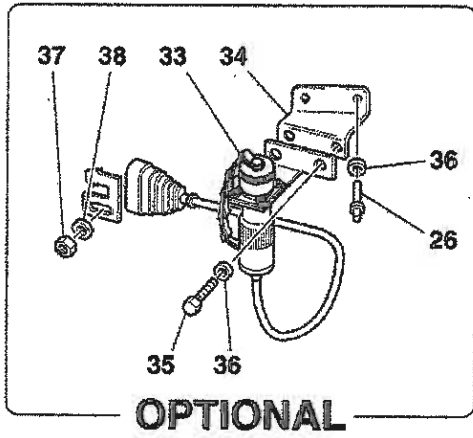
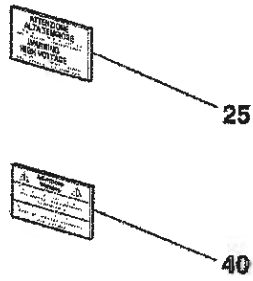
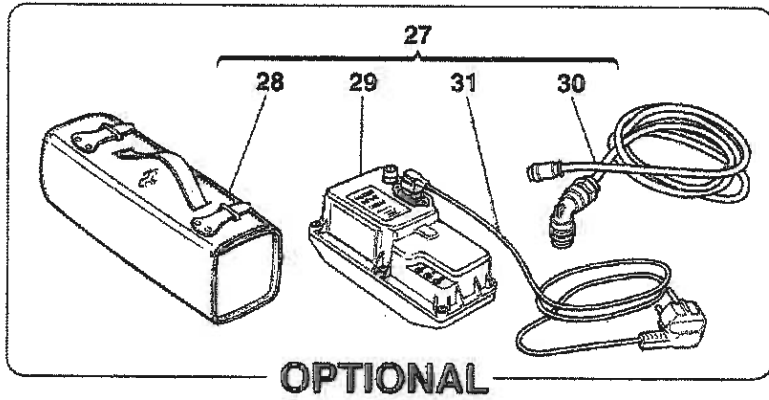


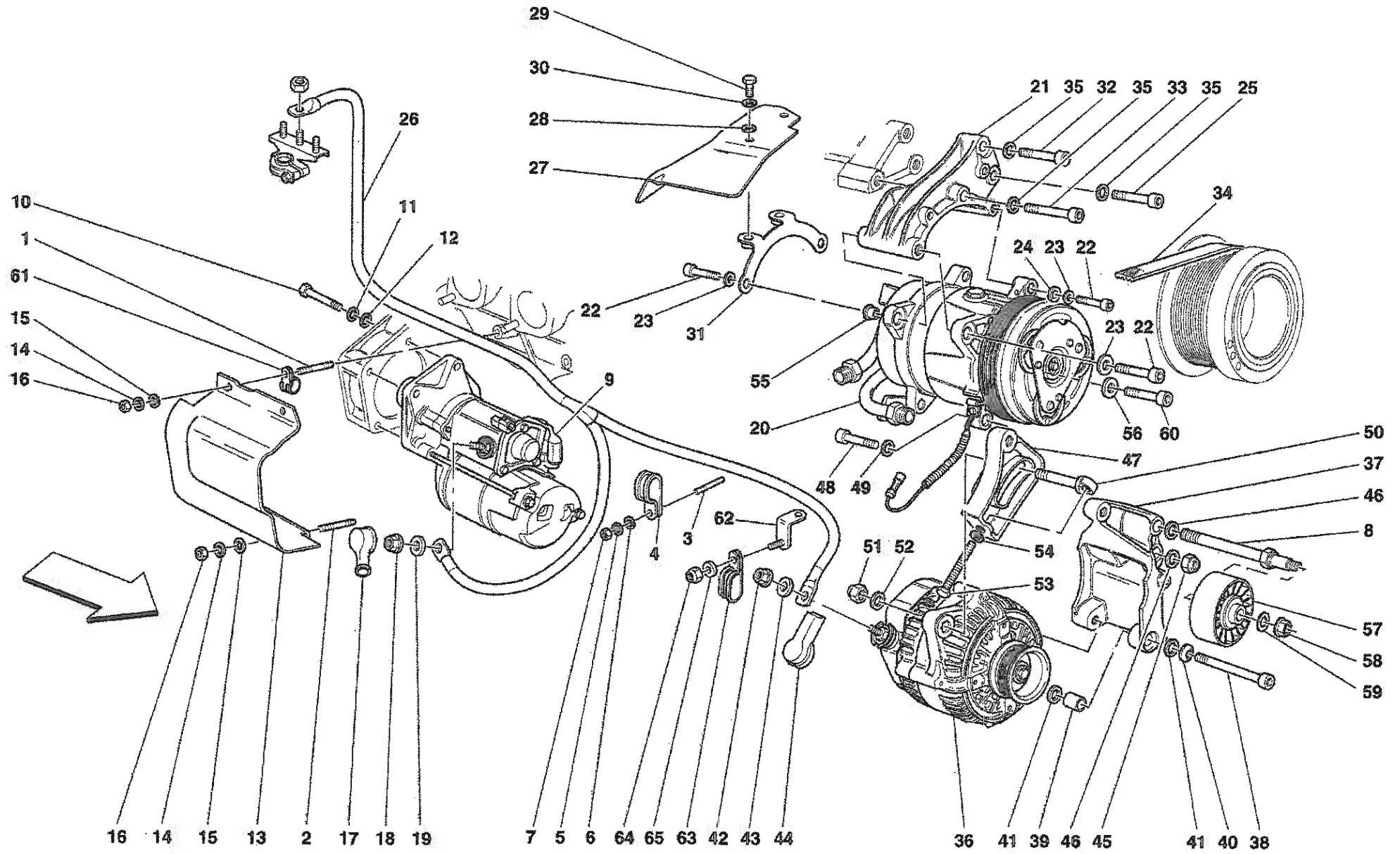


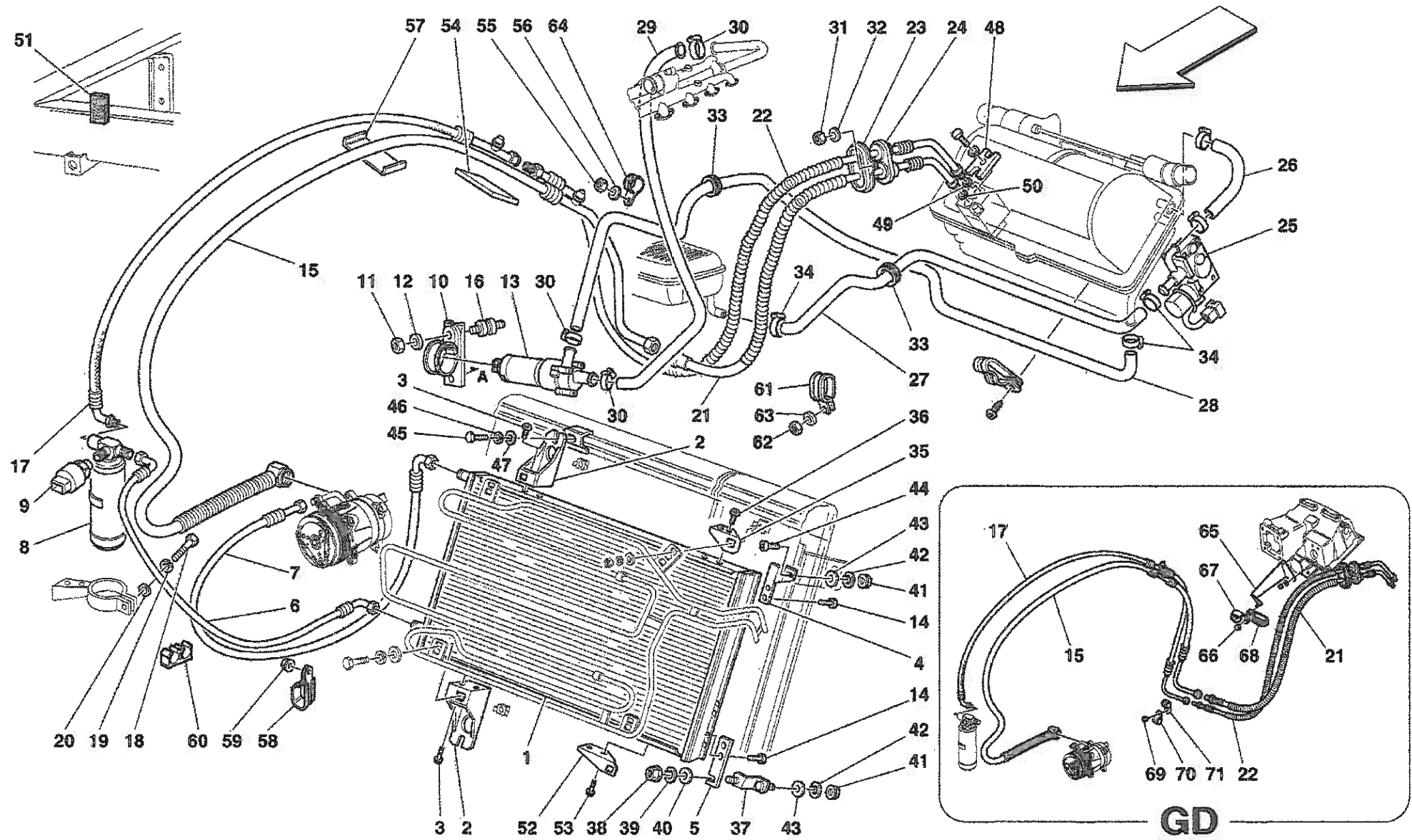




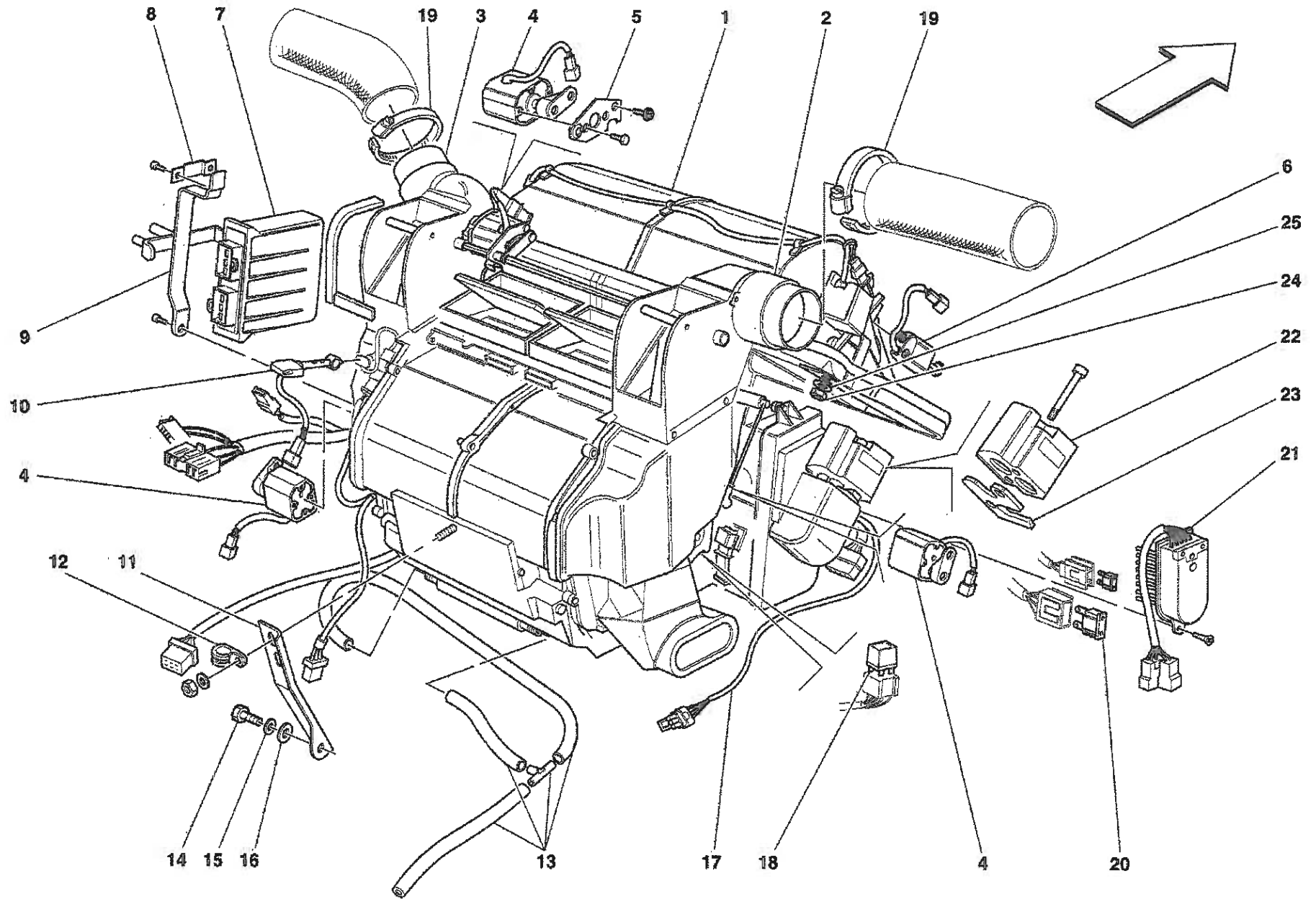




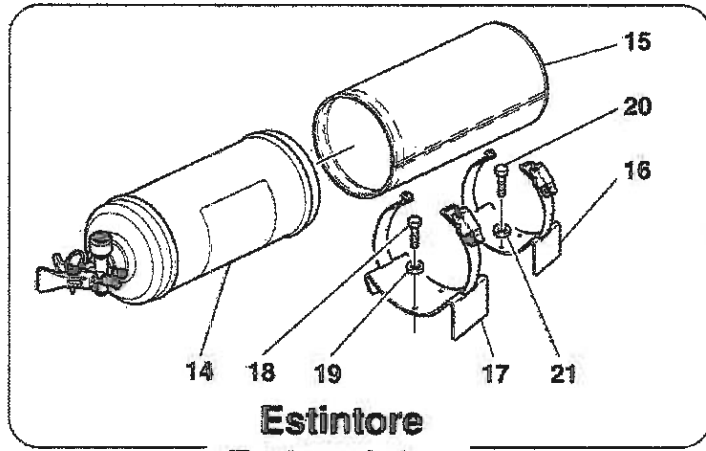
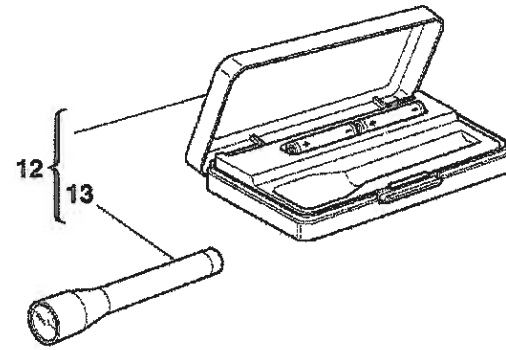
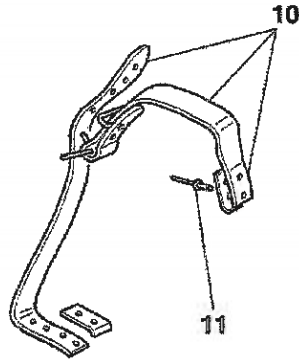
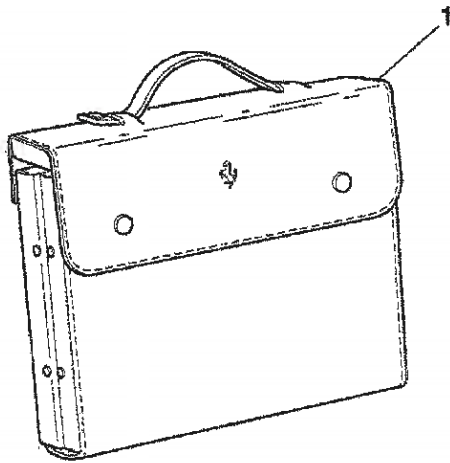




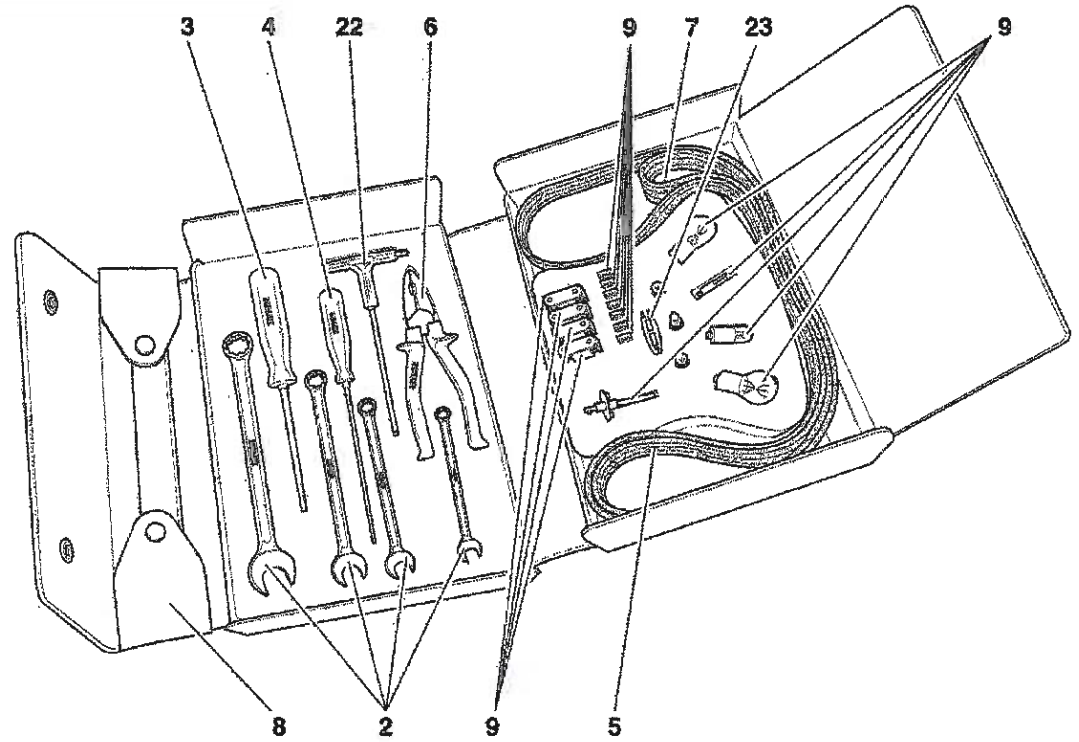
Superamerica - 62 - EVAPORATOR UNIT AND CONTROLS

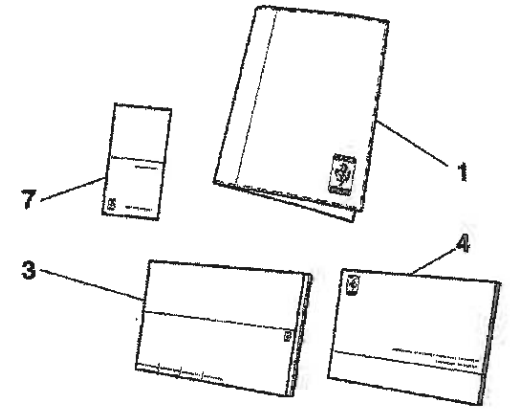
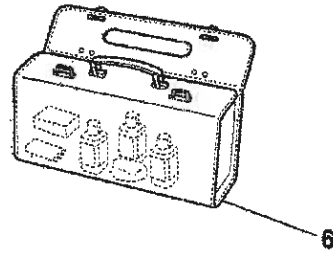
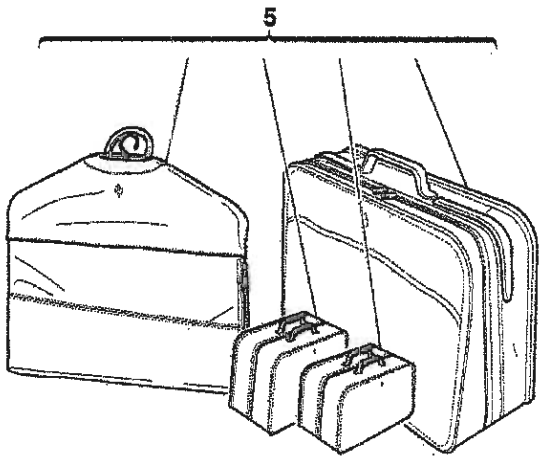
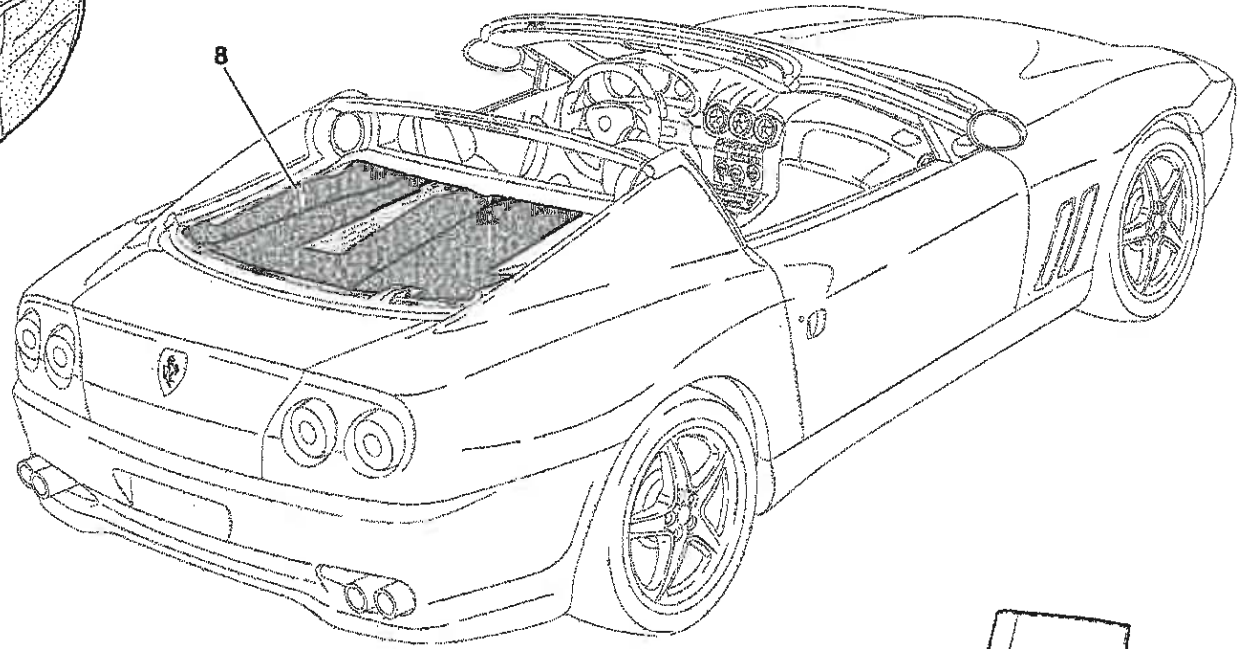
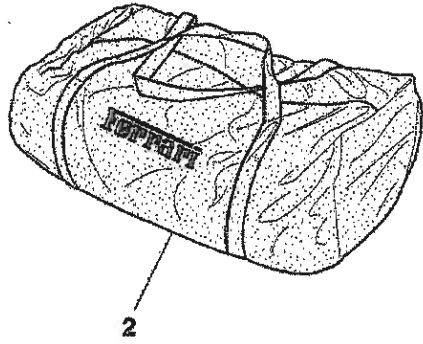


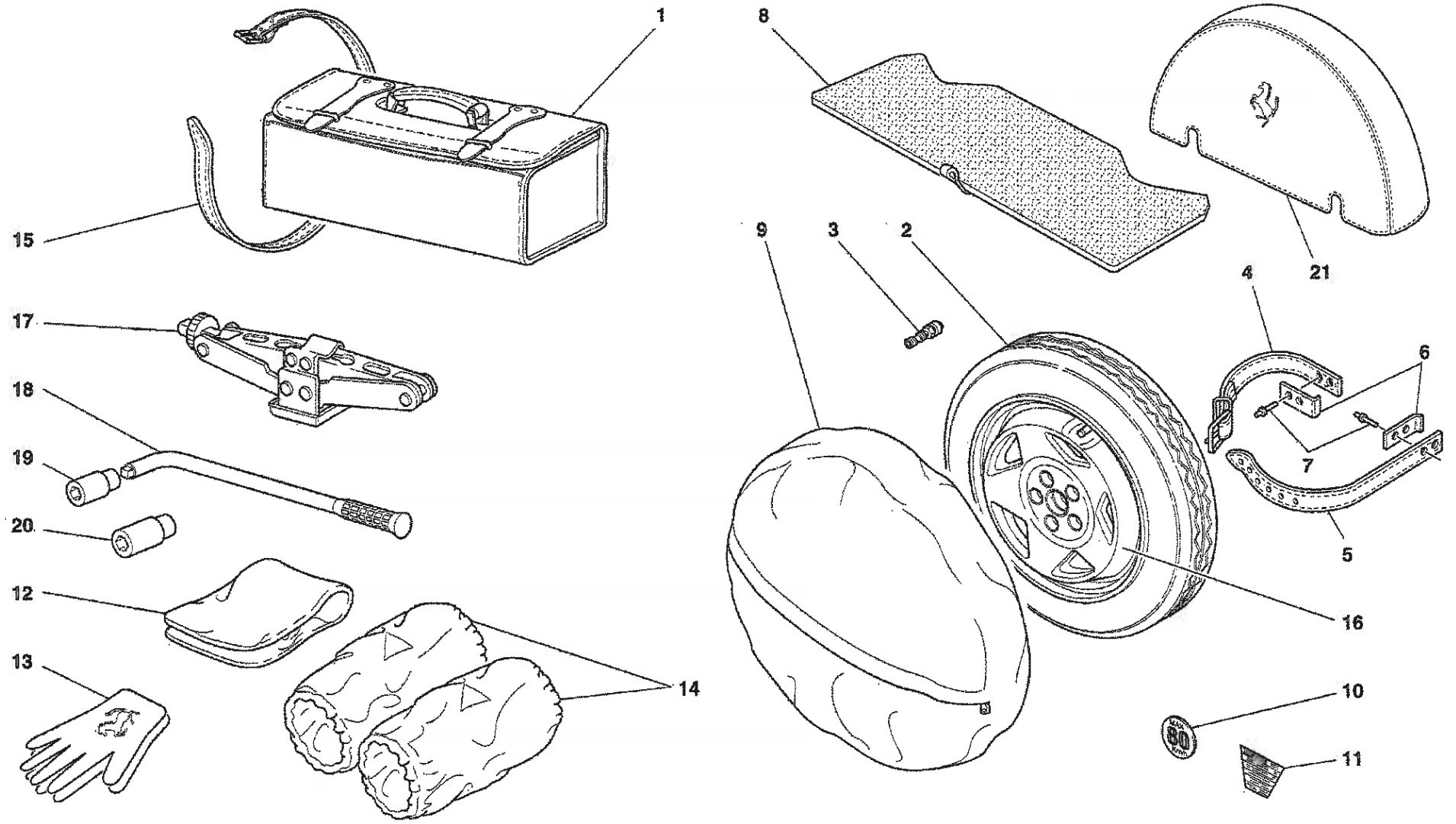


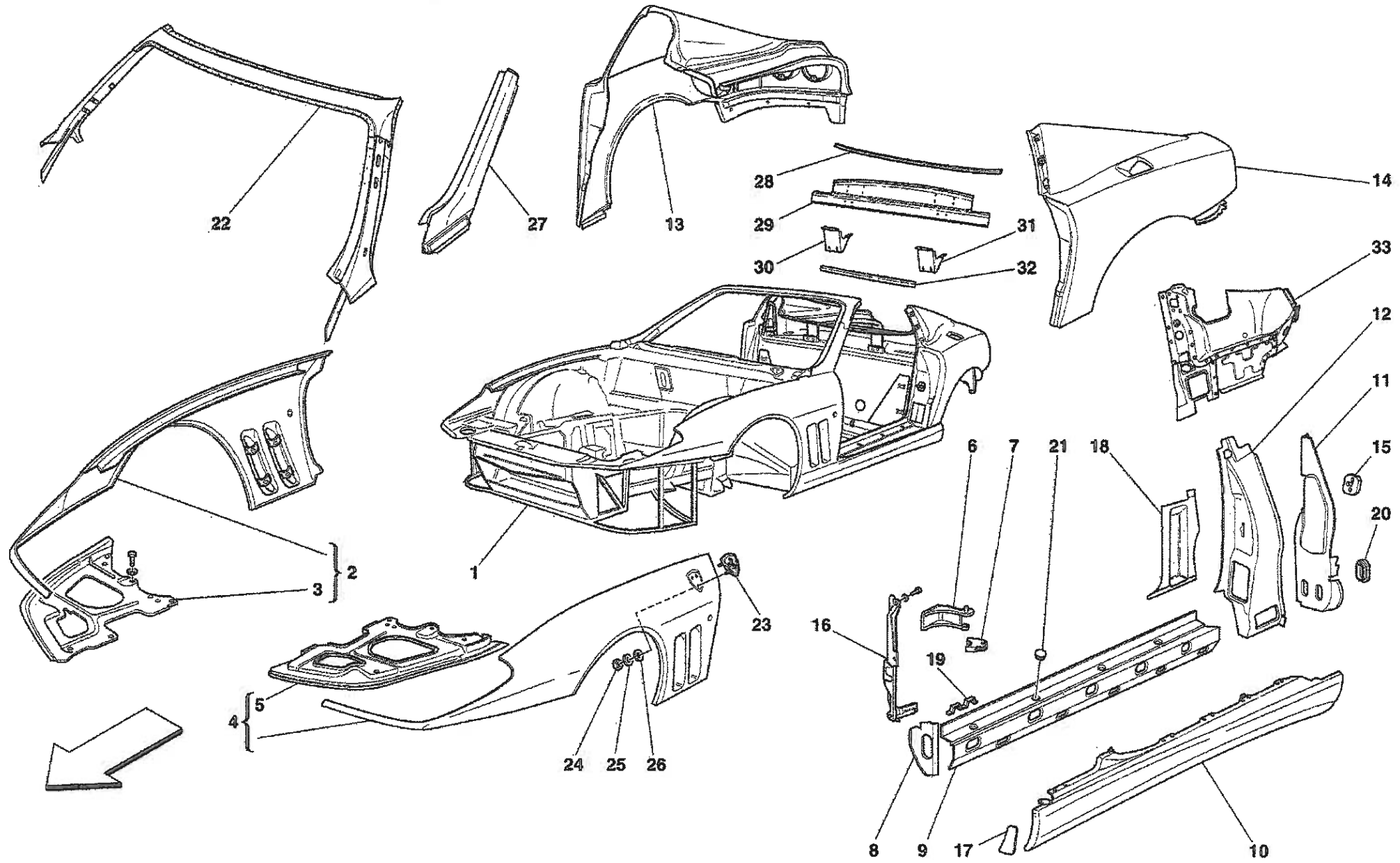


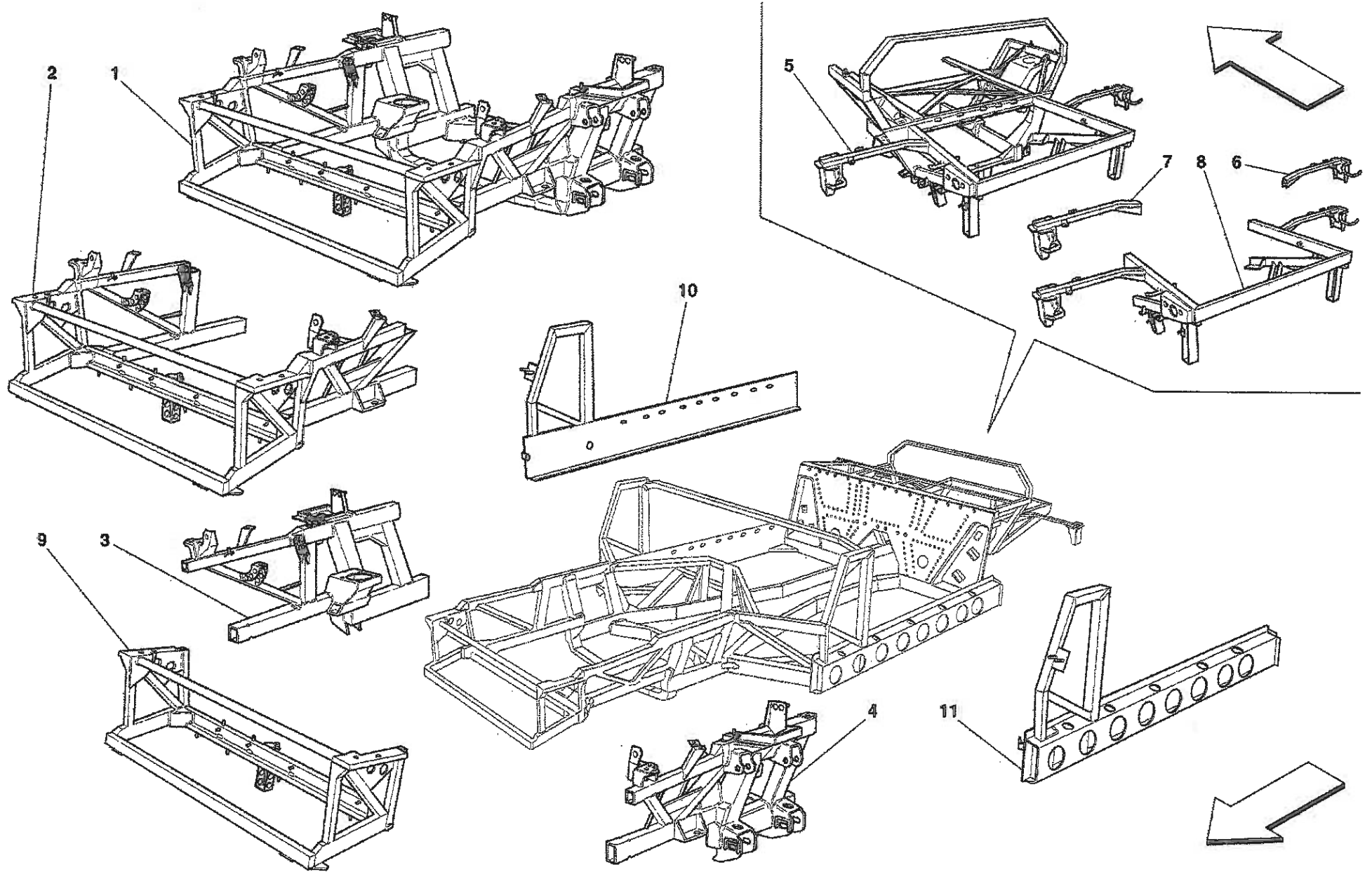
**Estintore  
Extinguisher**

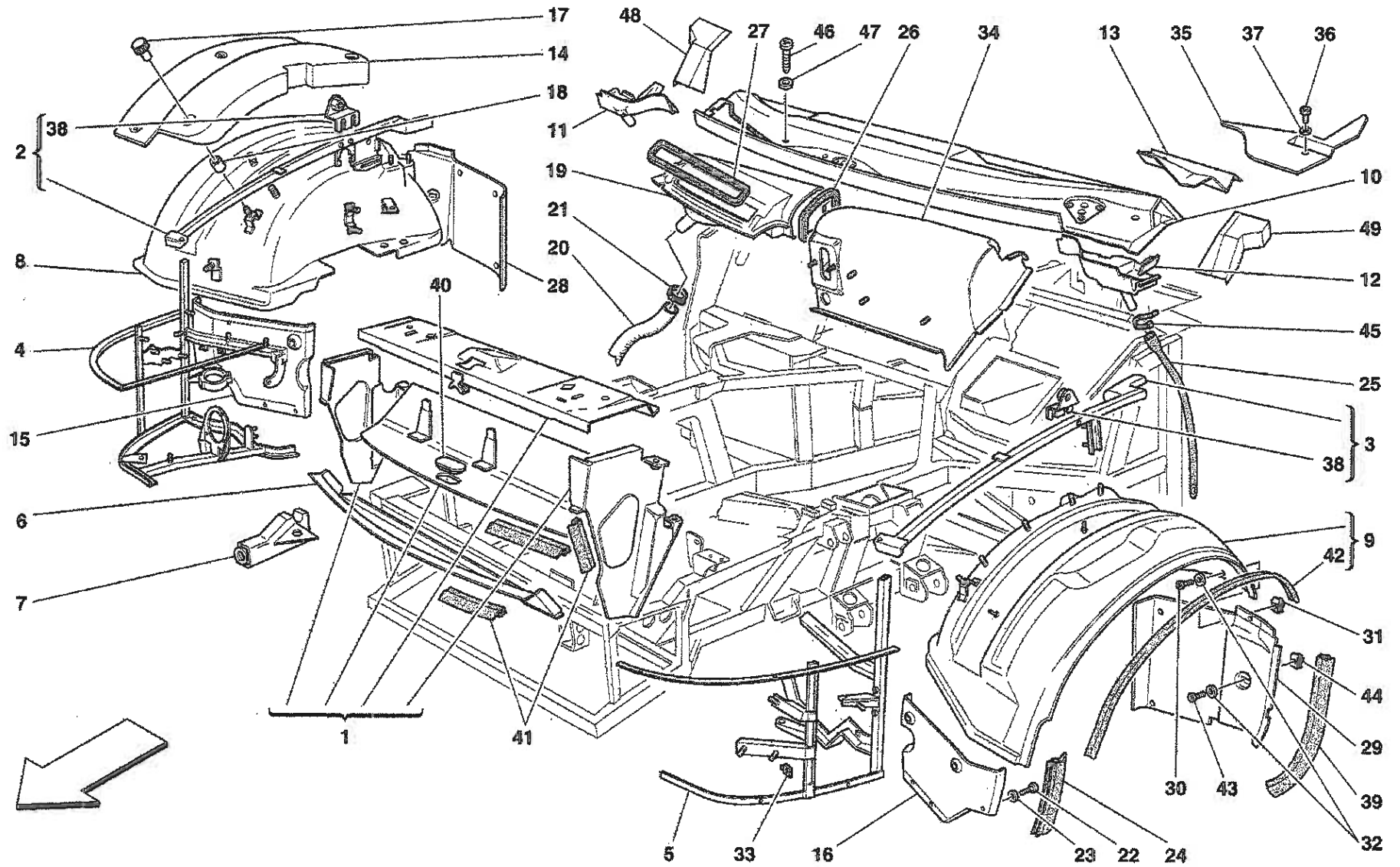


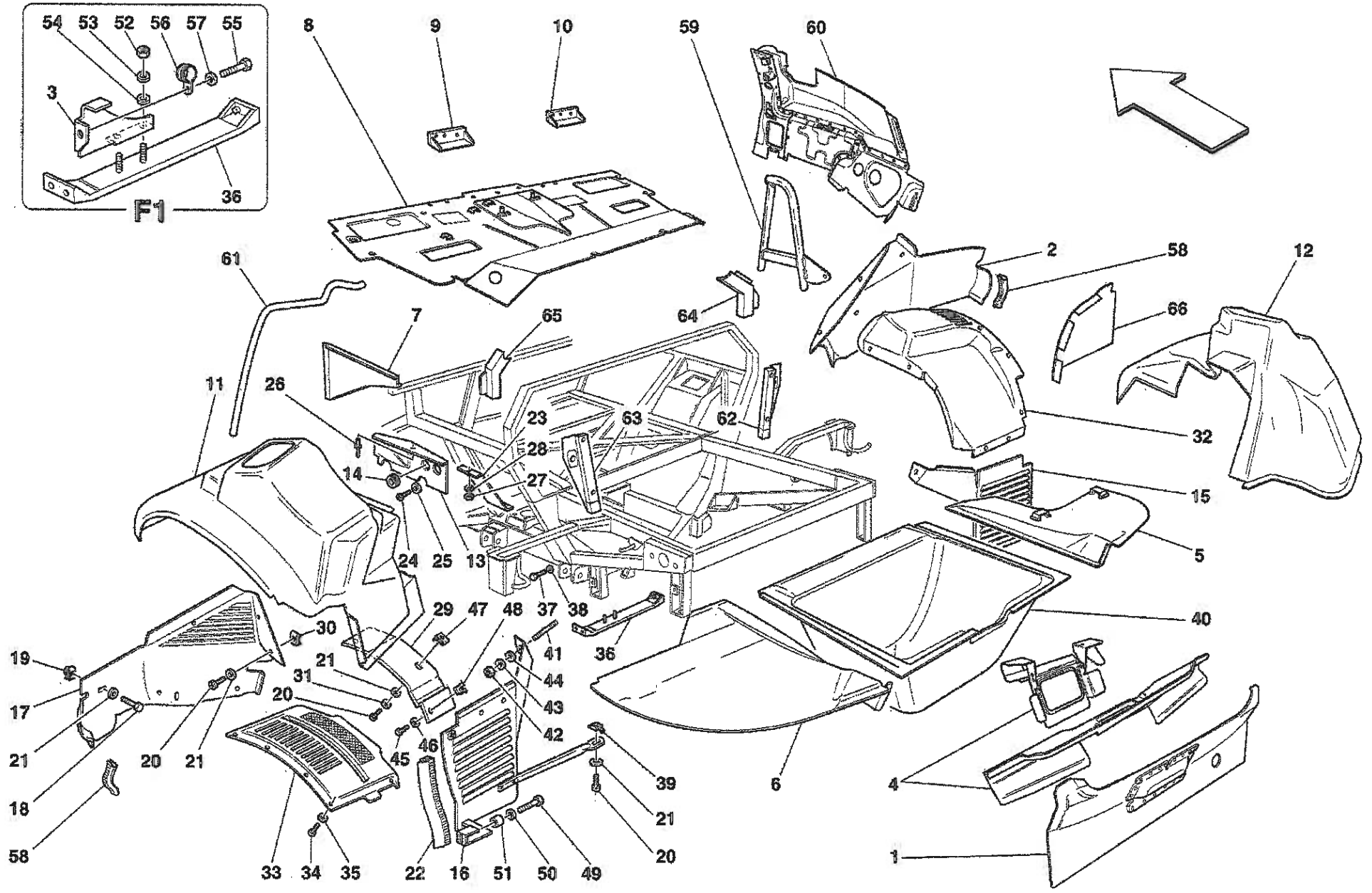


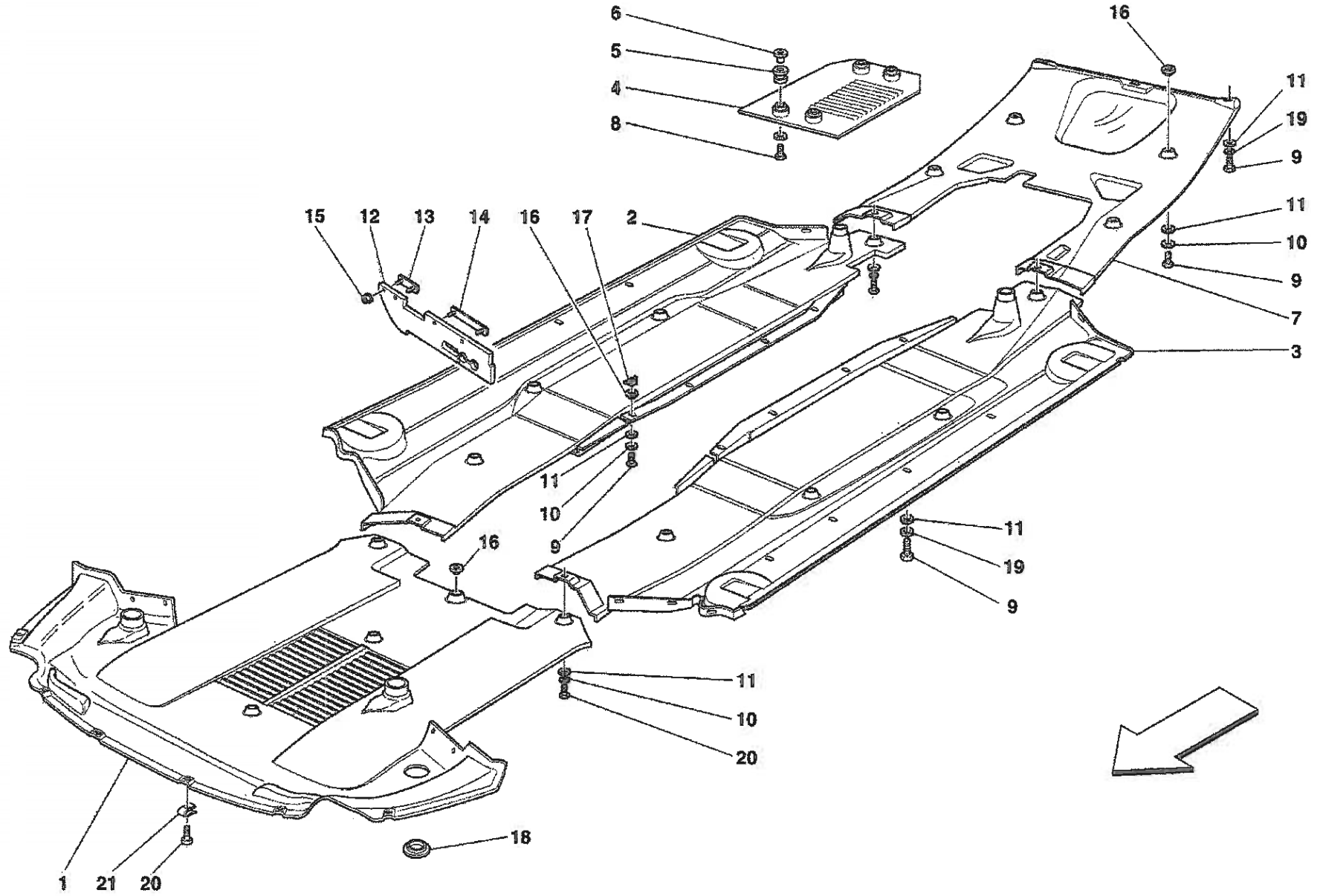




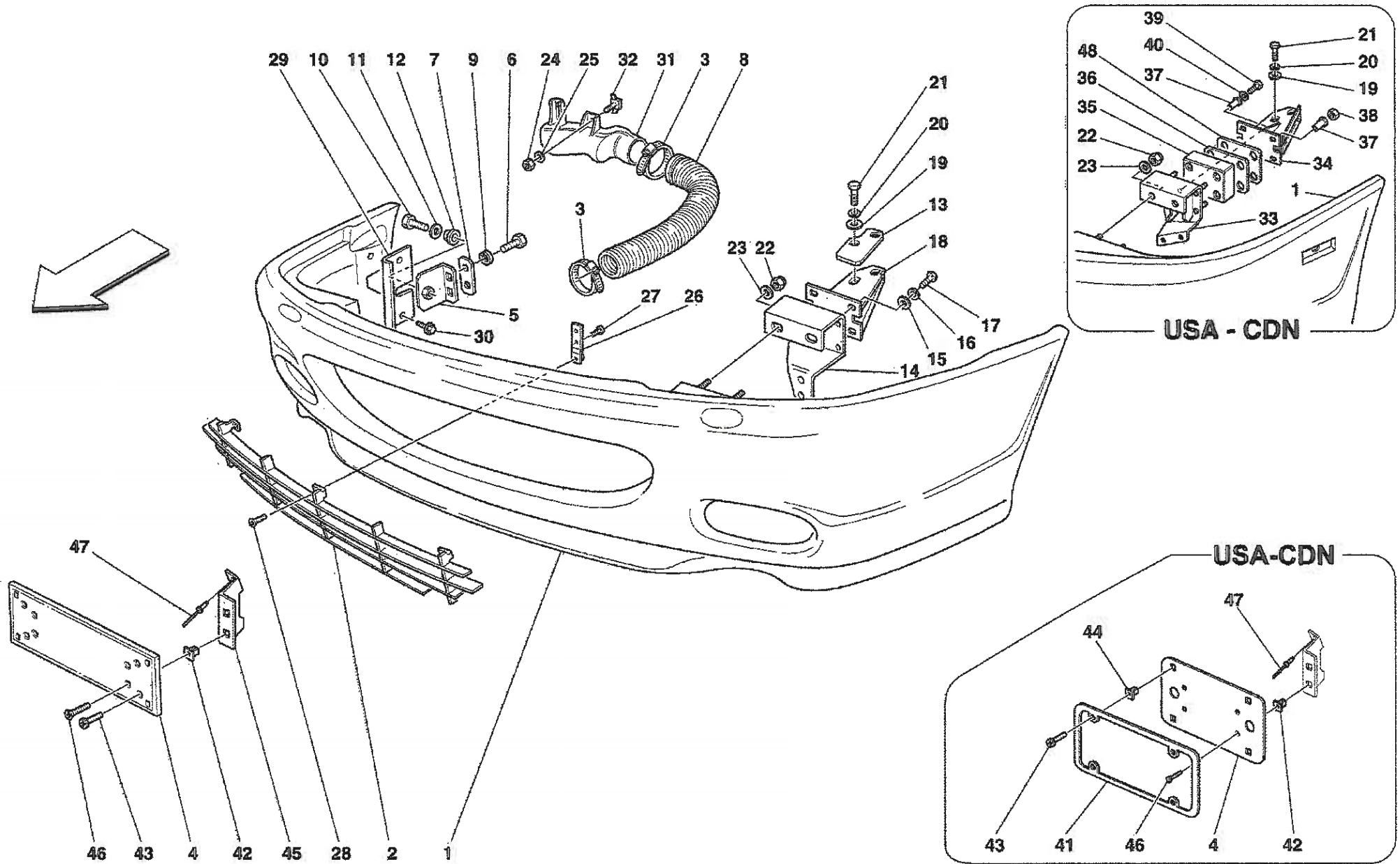


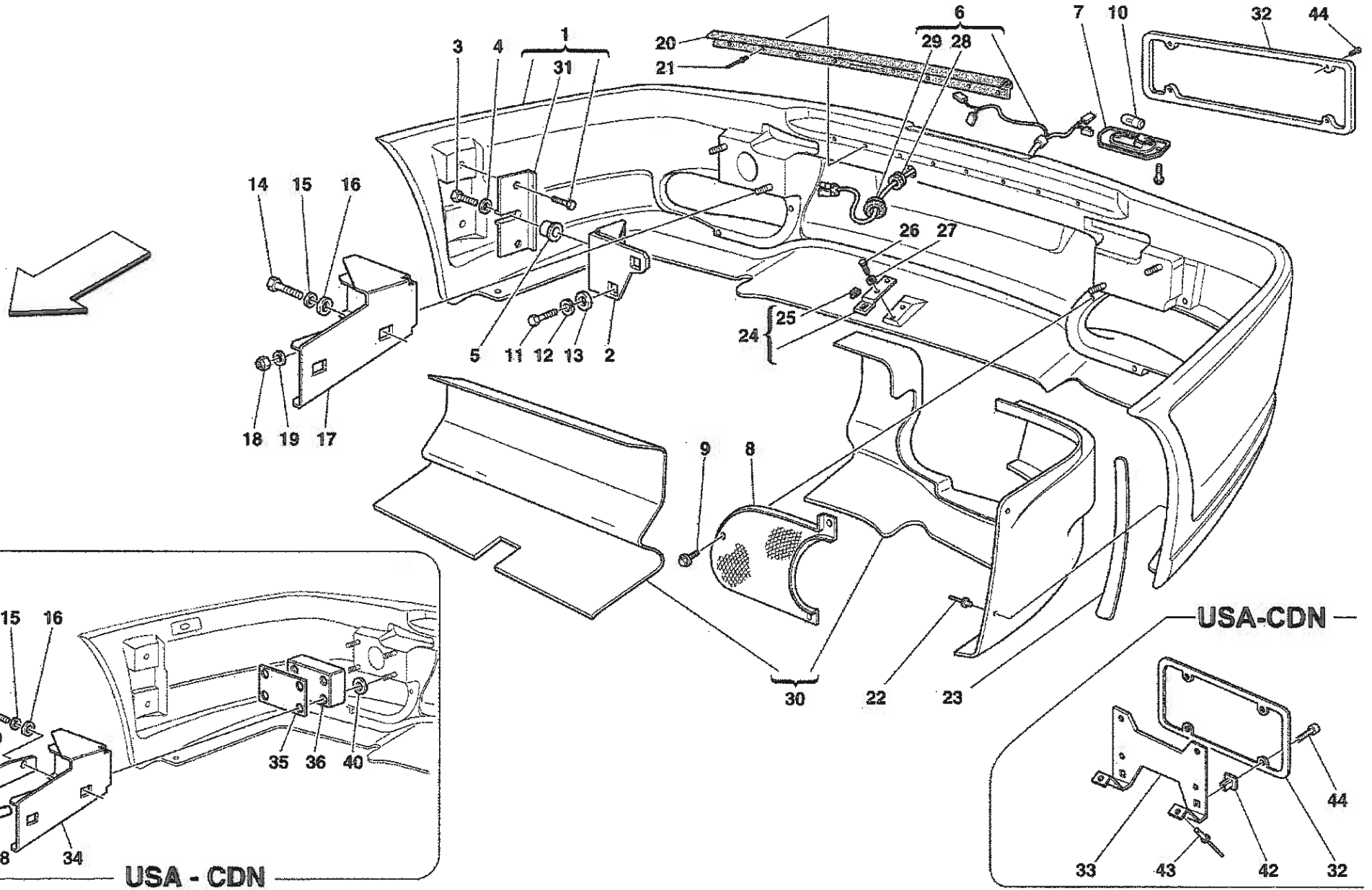


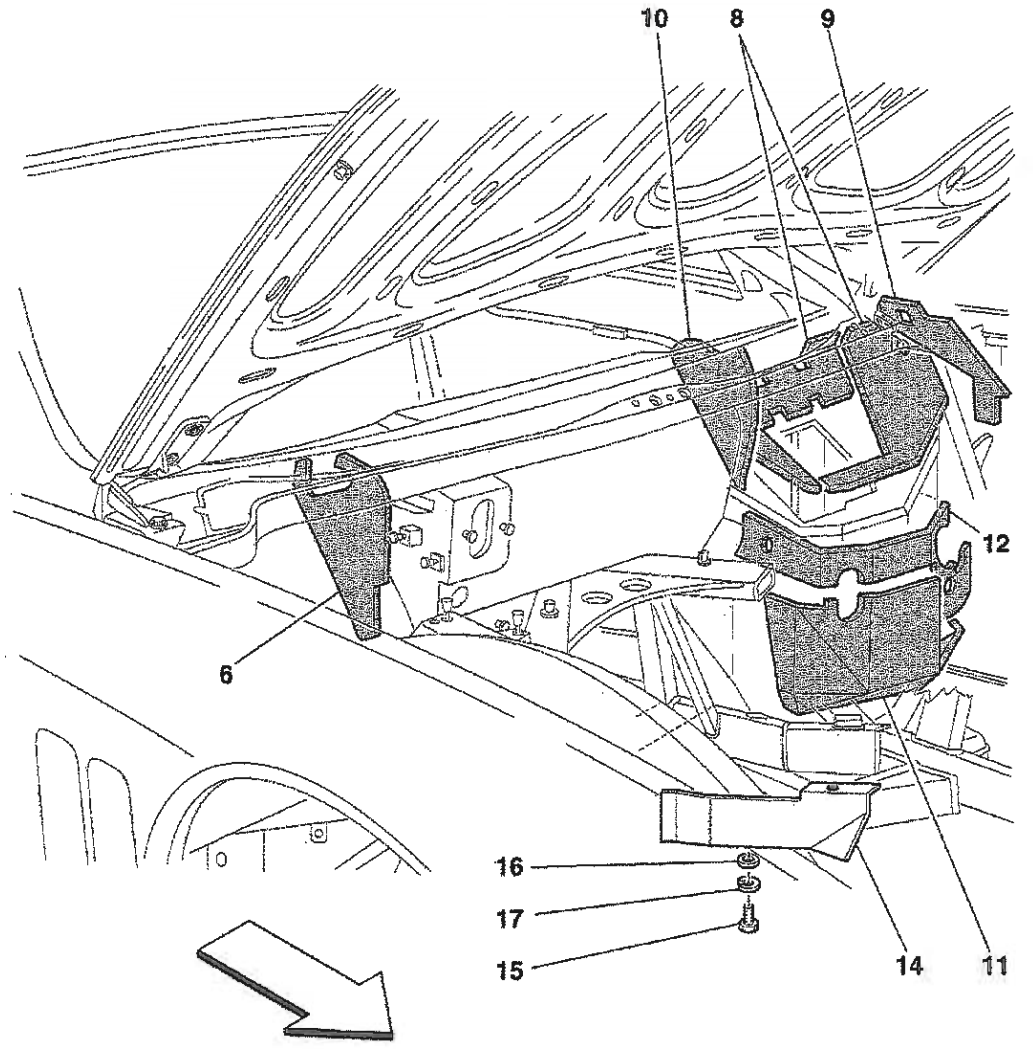
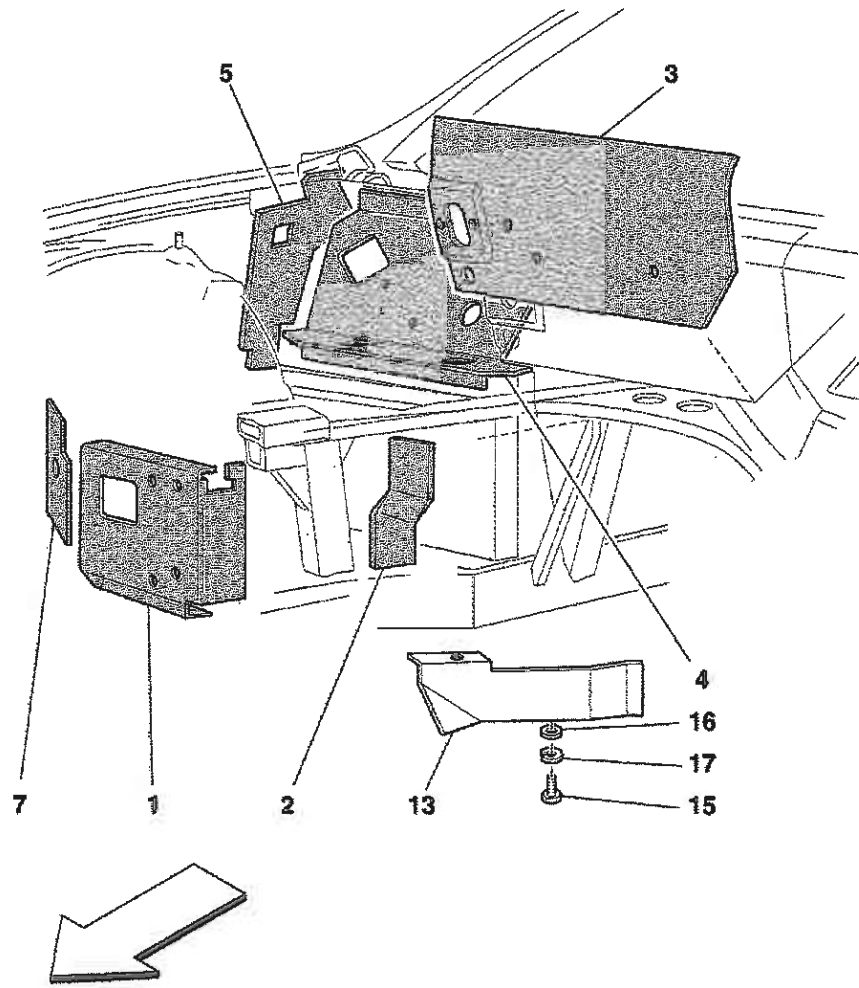


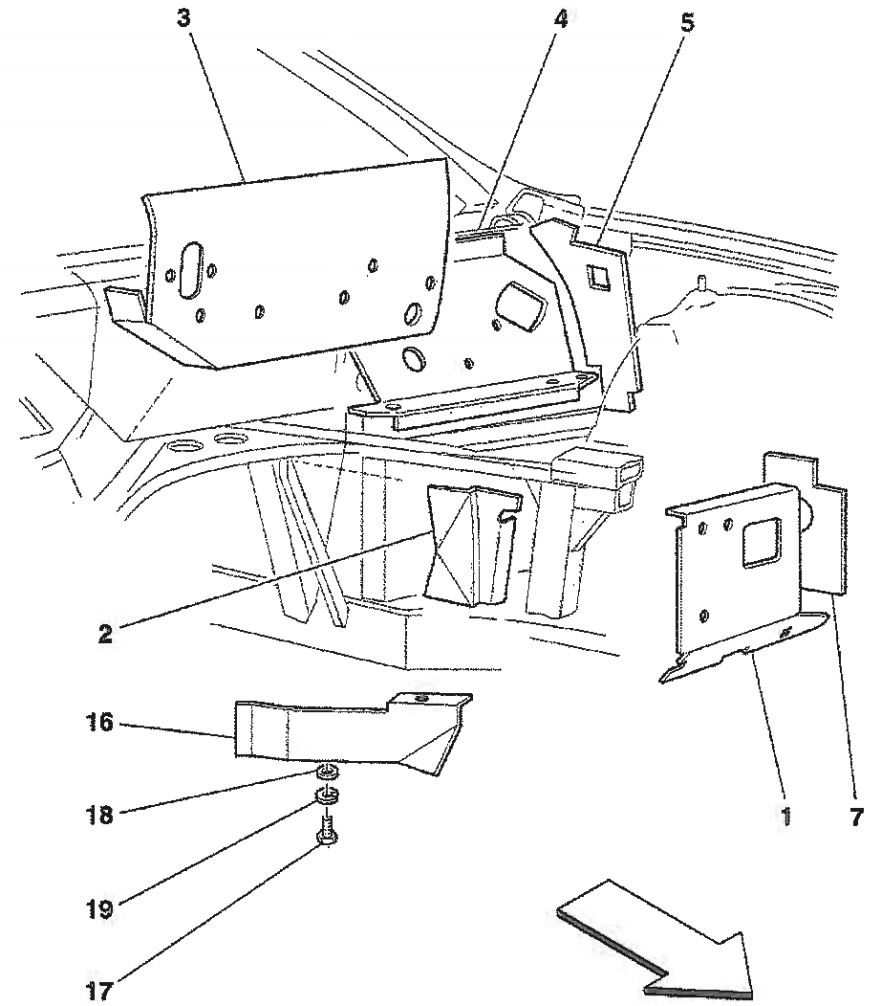
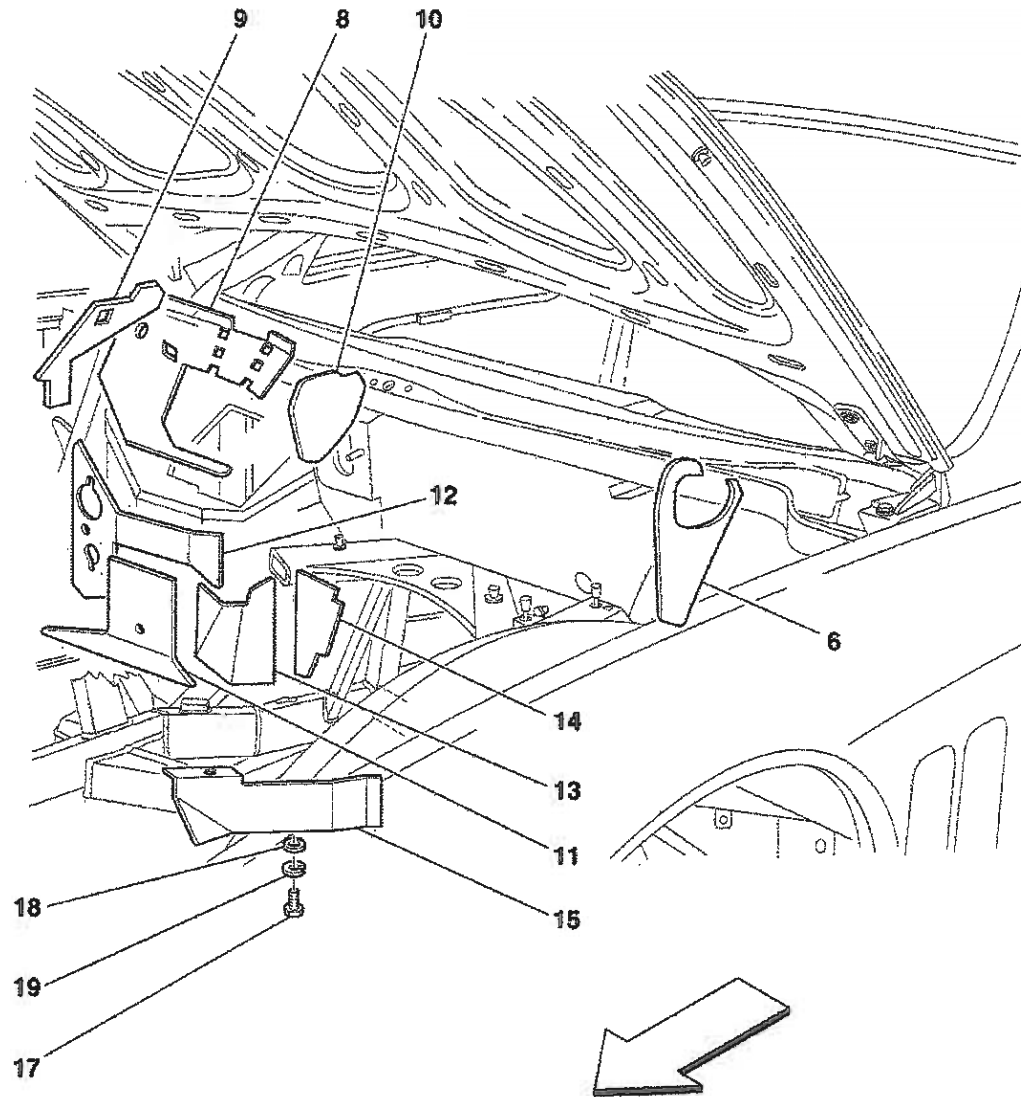


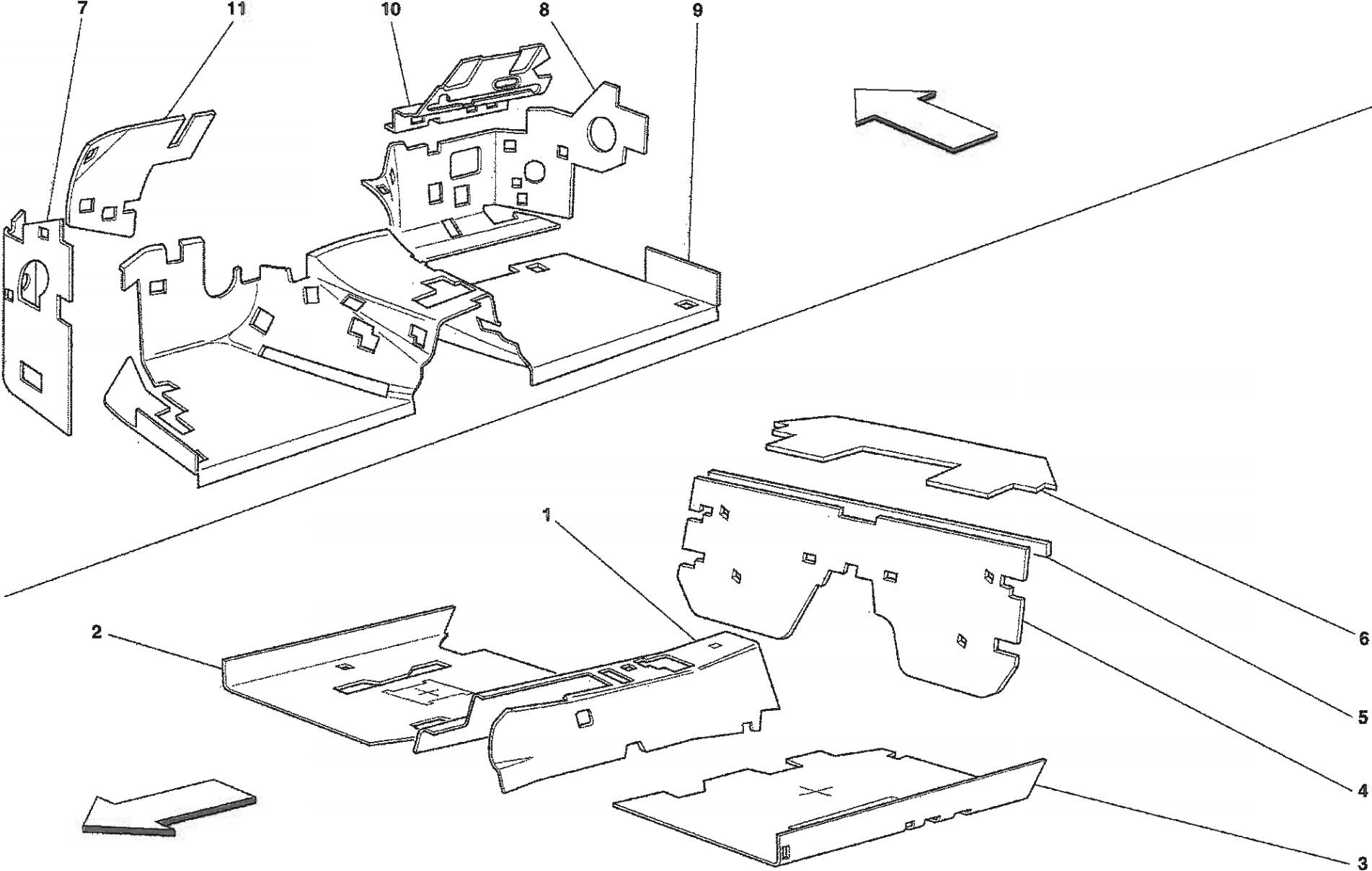


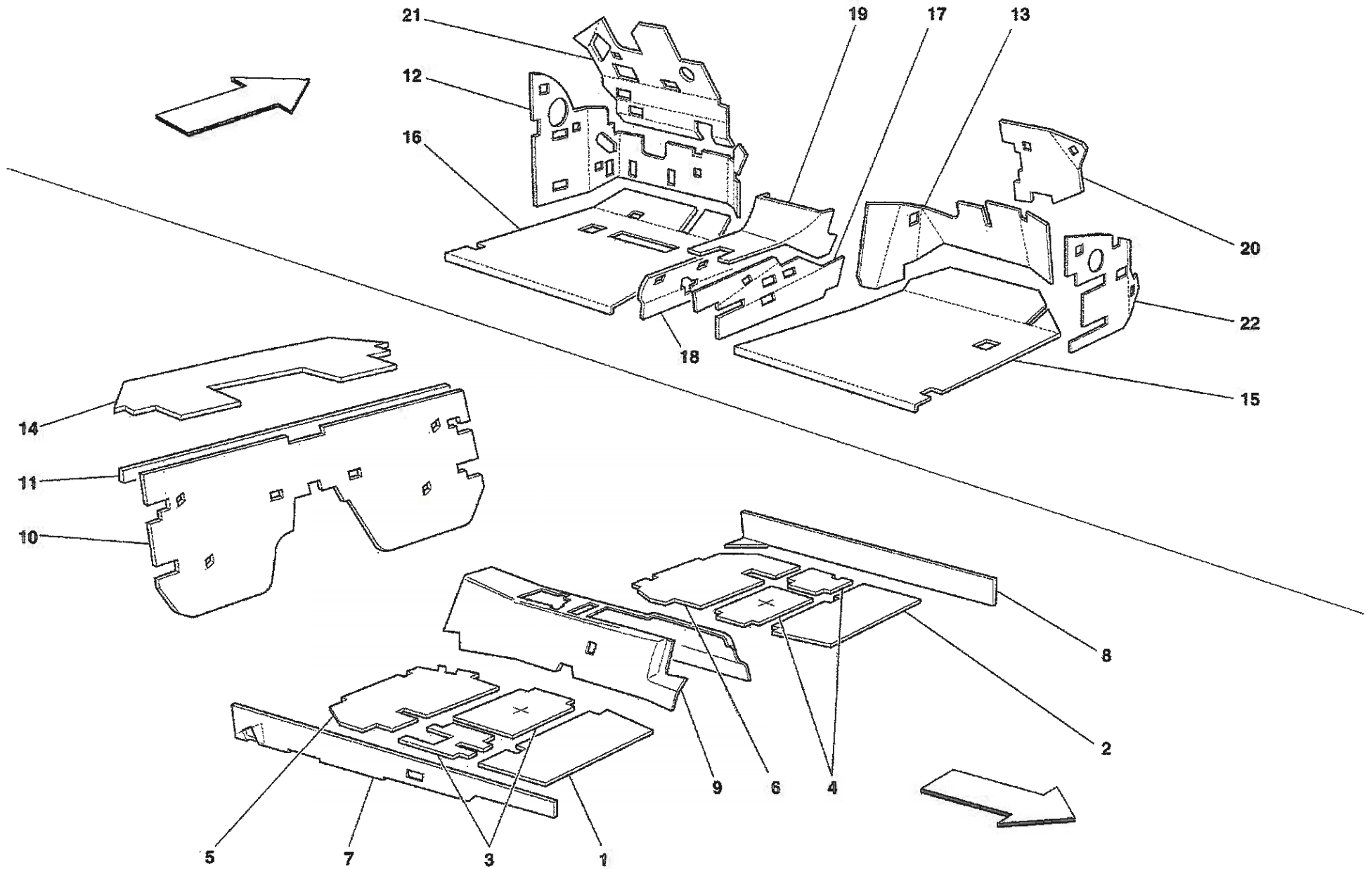


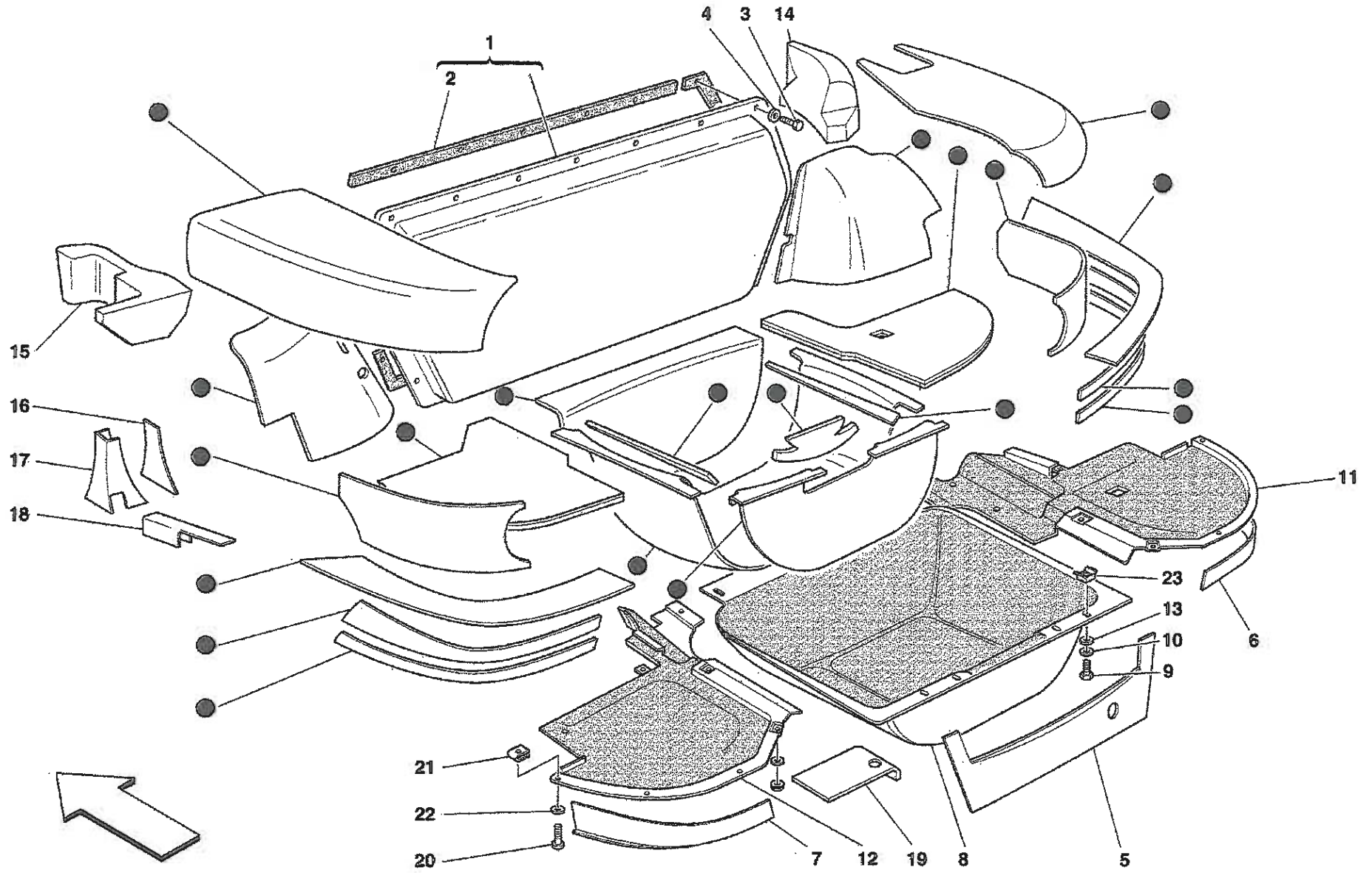


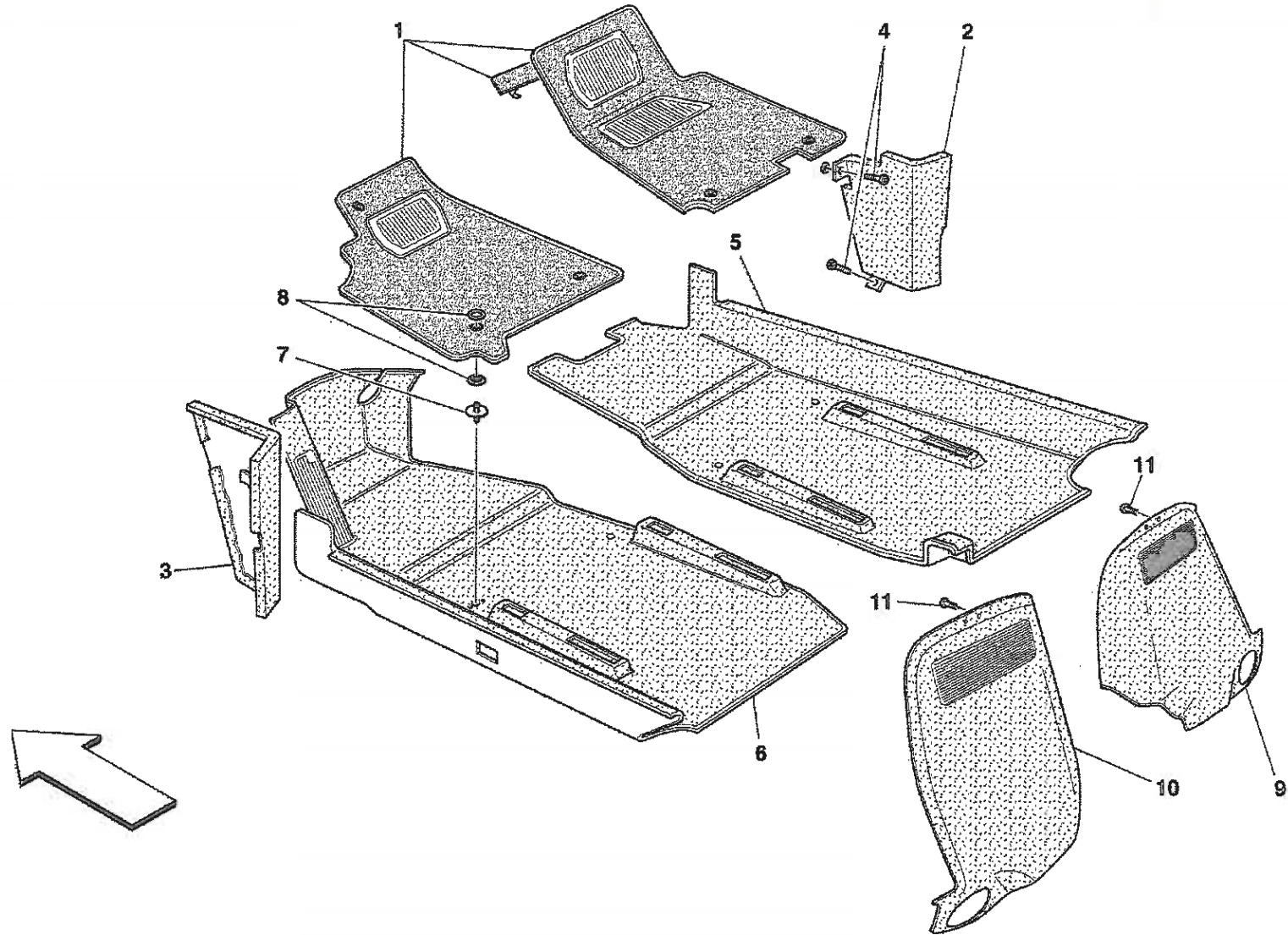




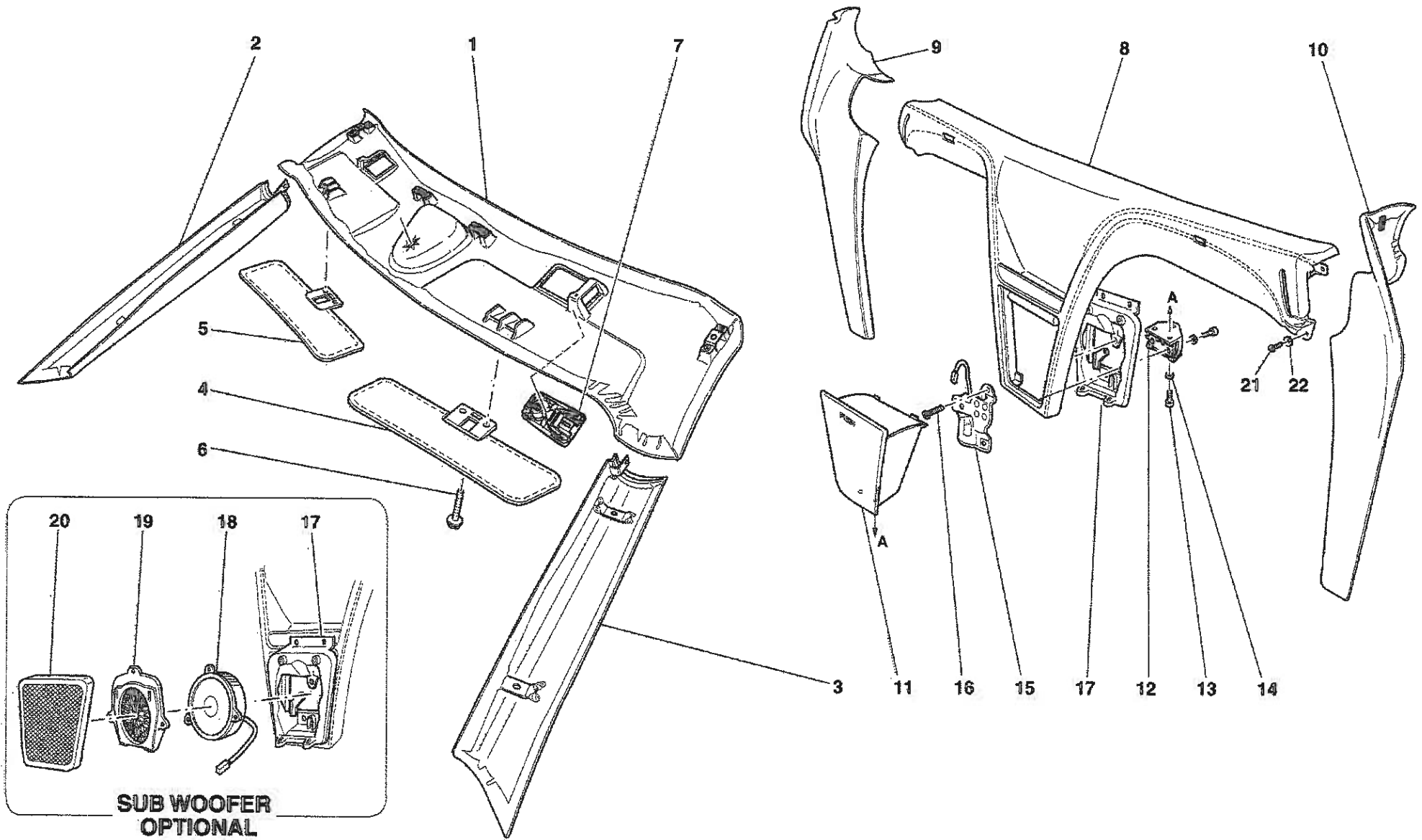


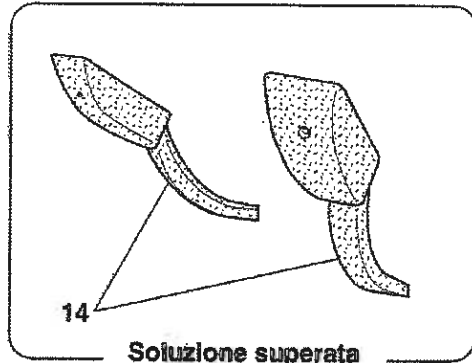




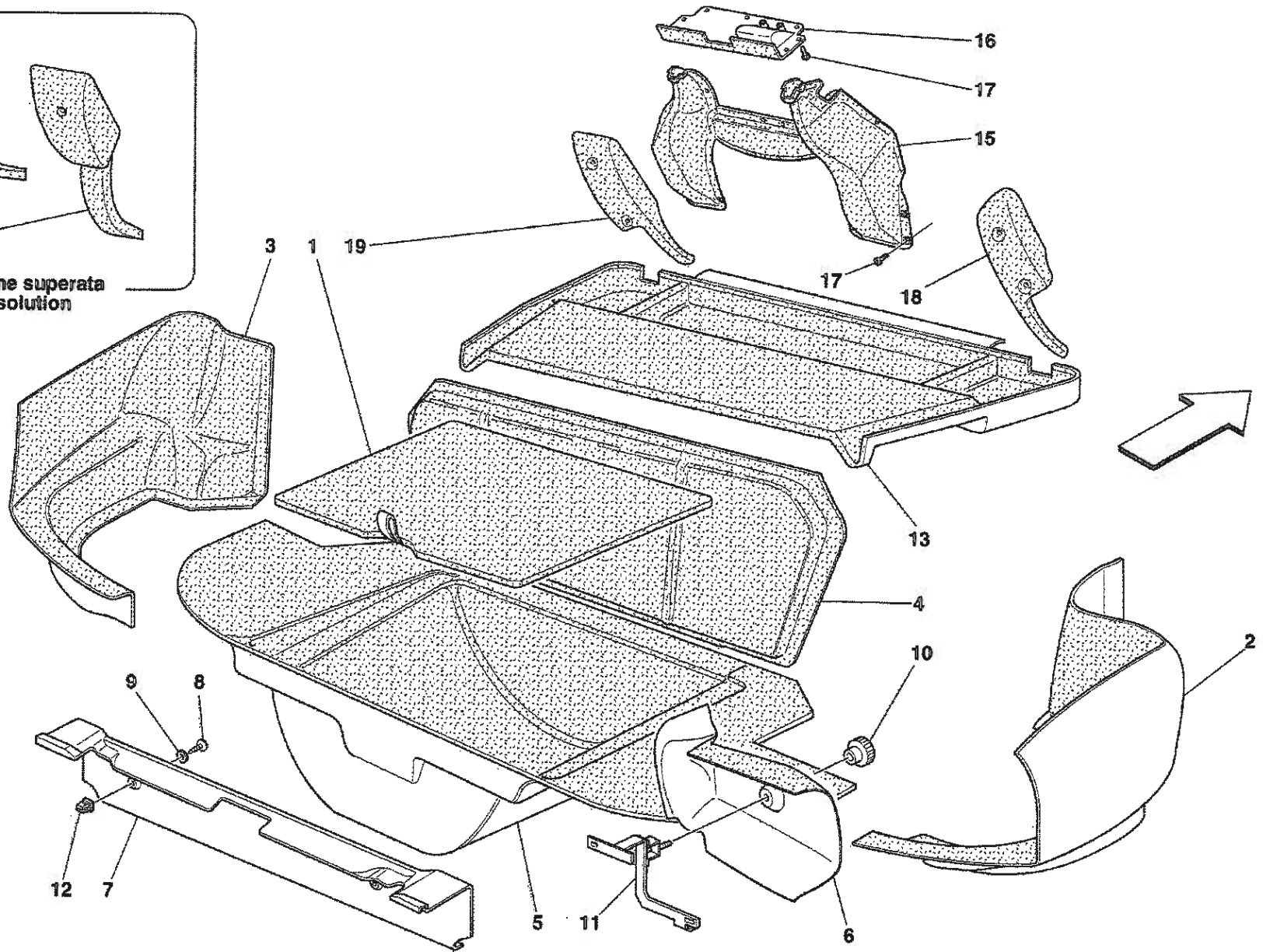


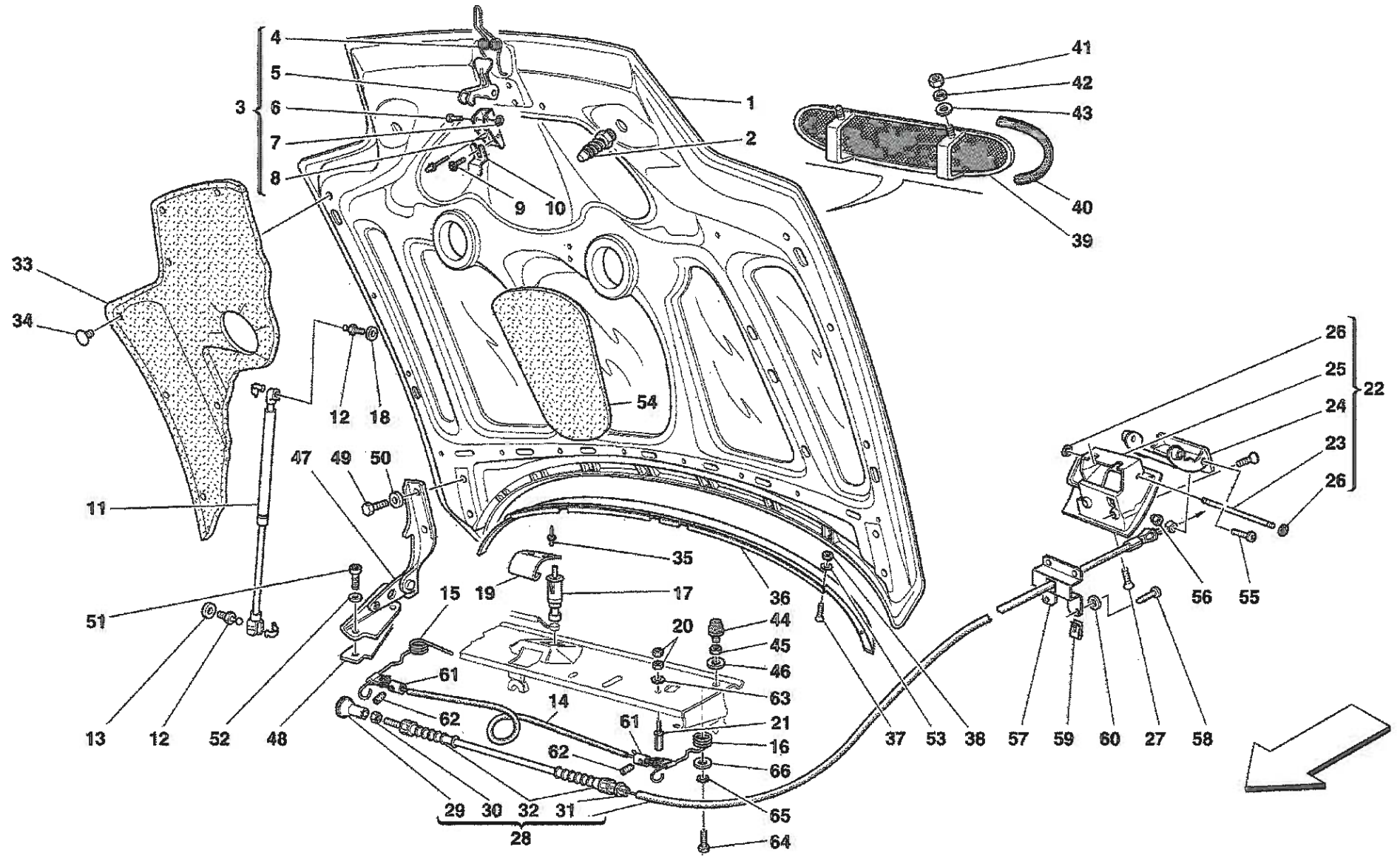


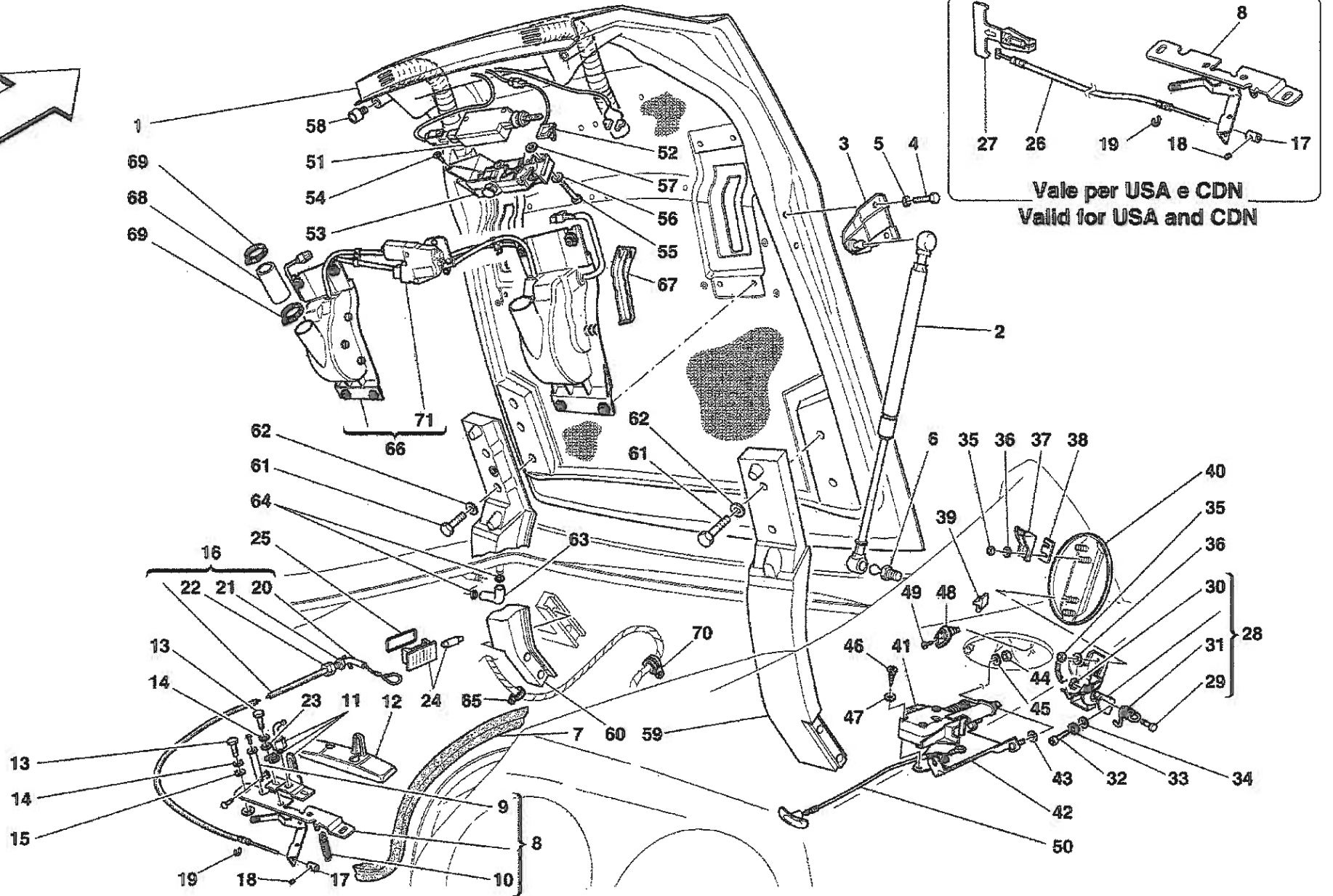
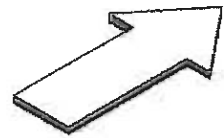


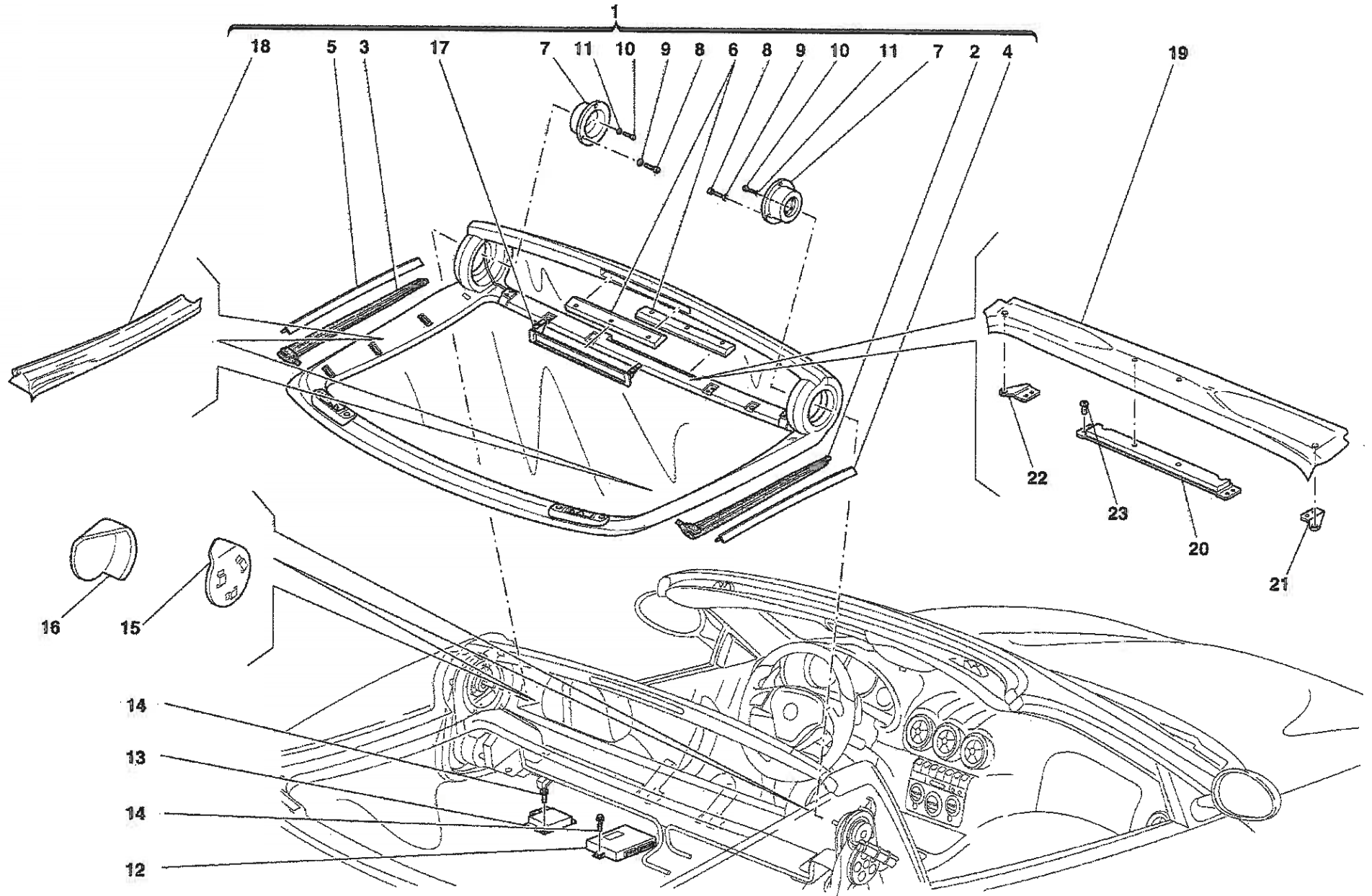


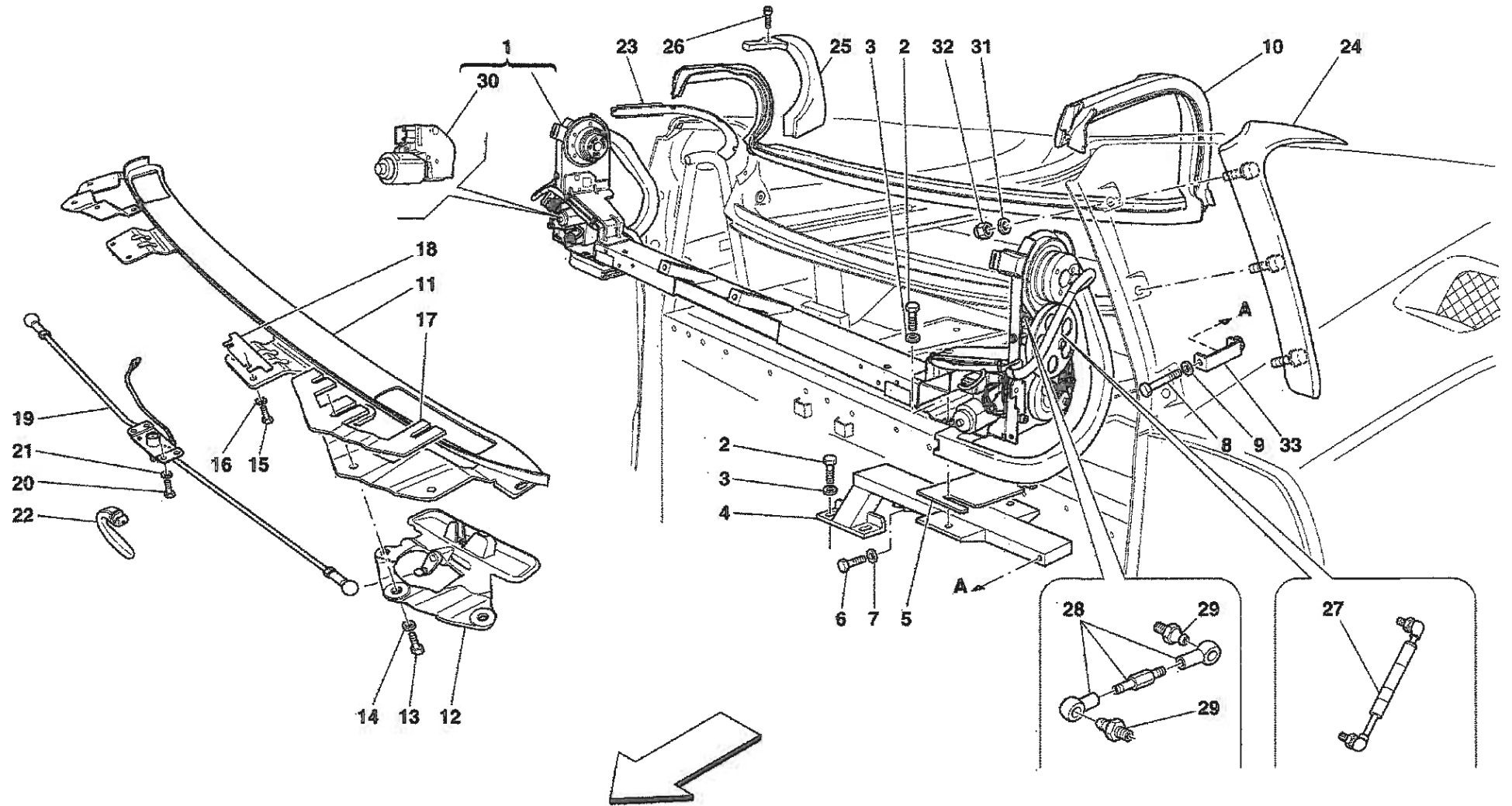
Soluzione superata  
Old solution

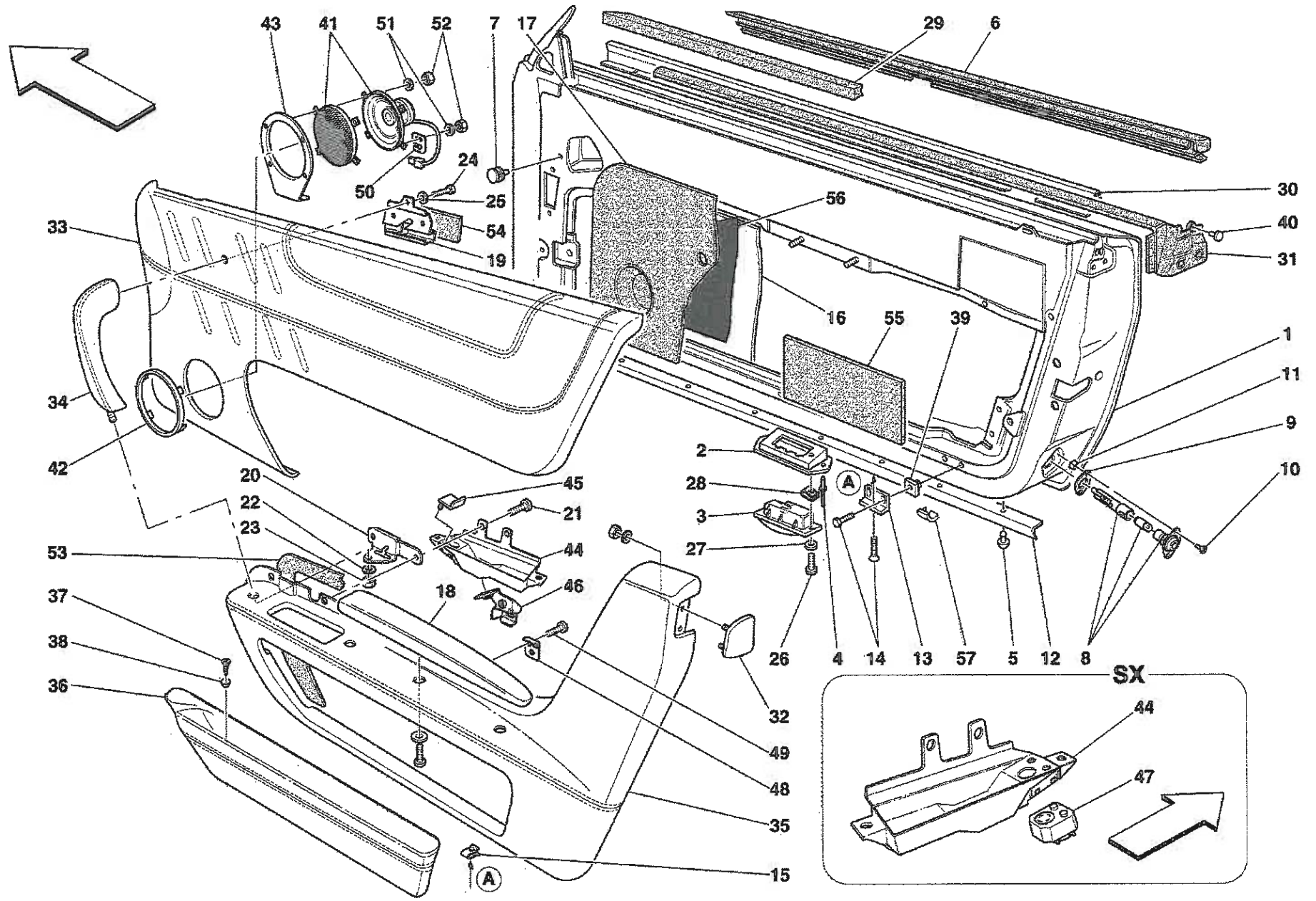


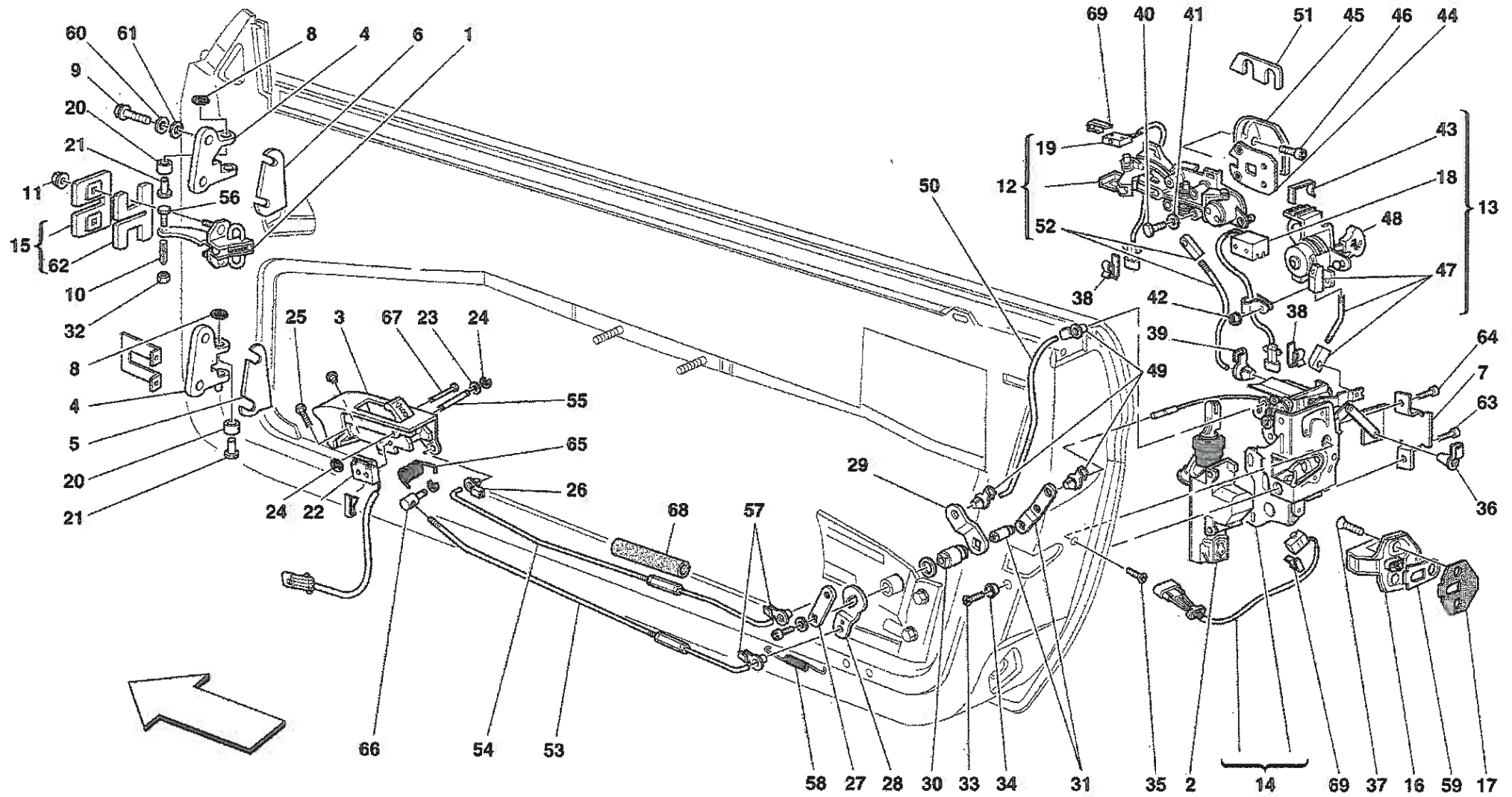






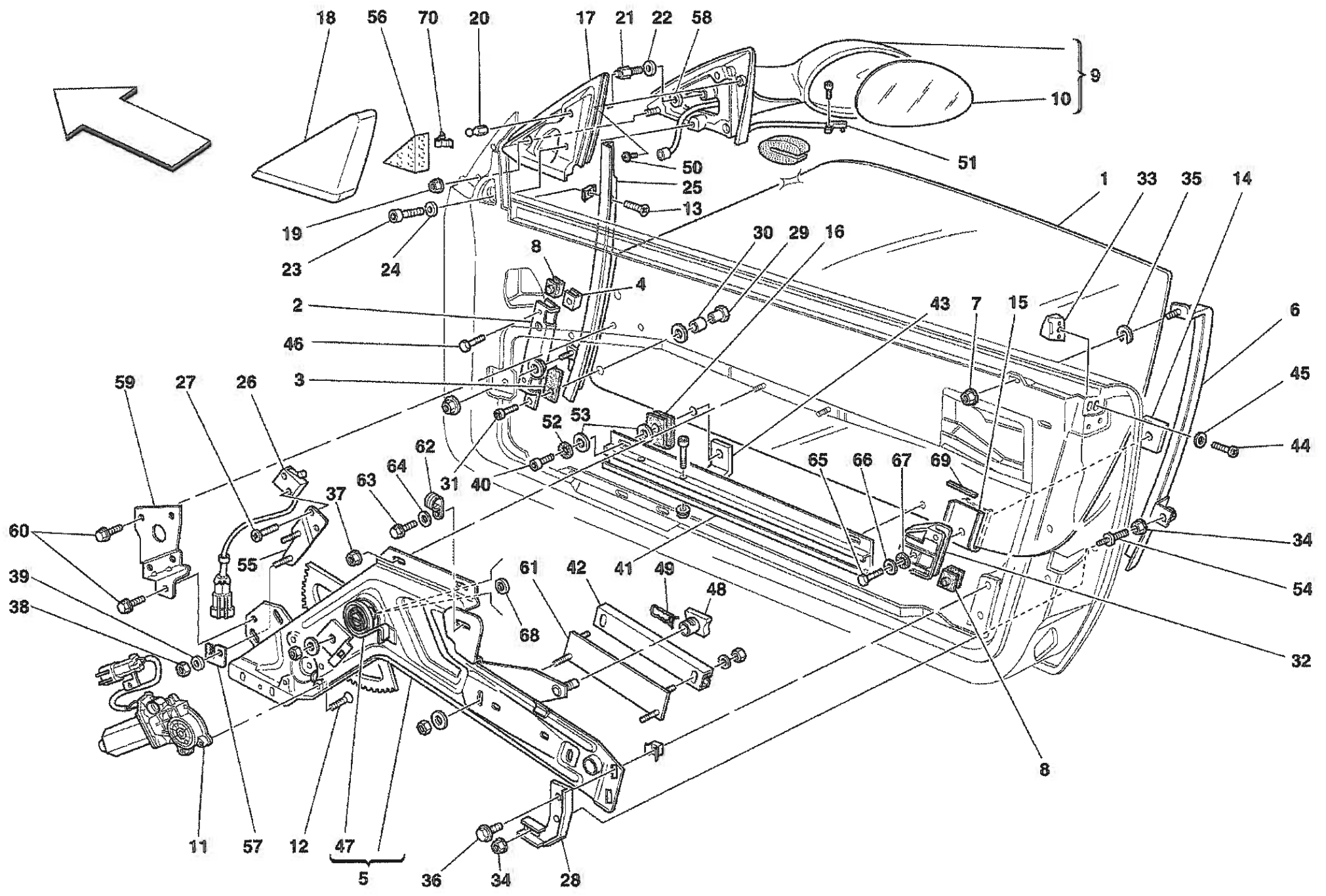


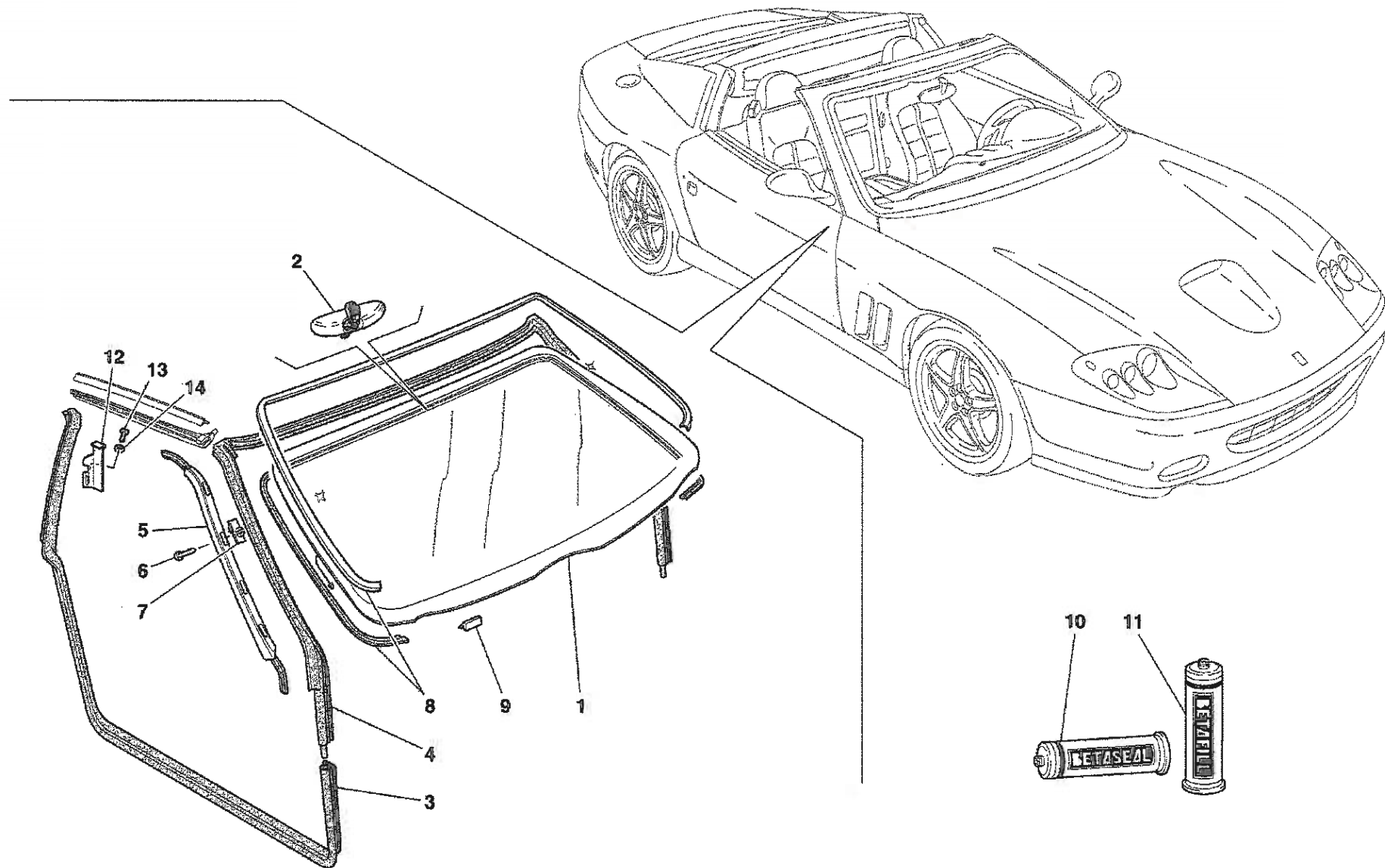


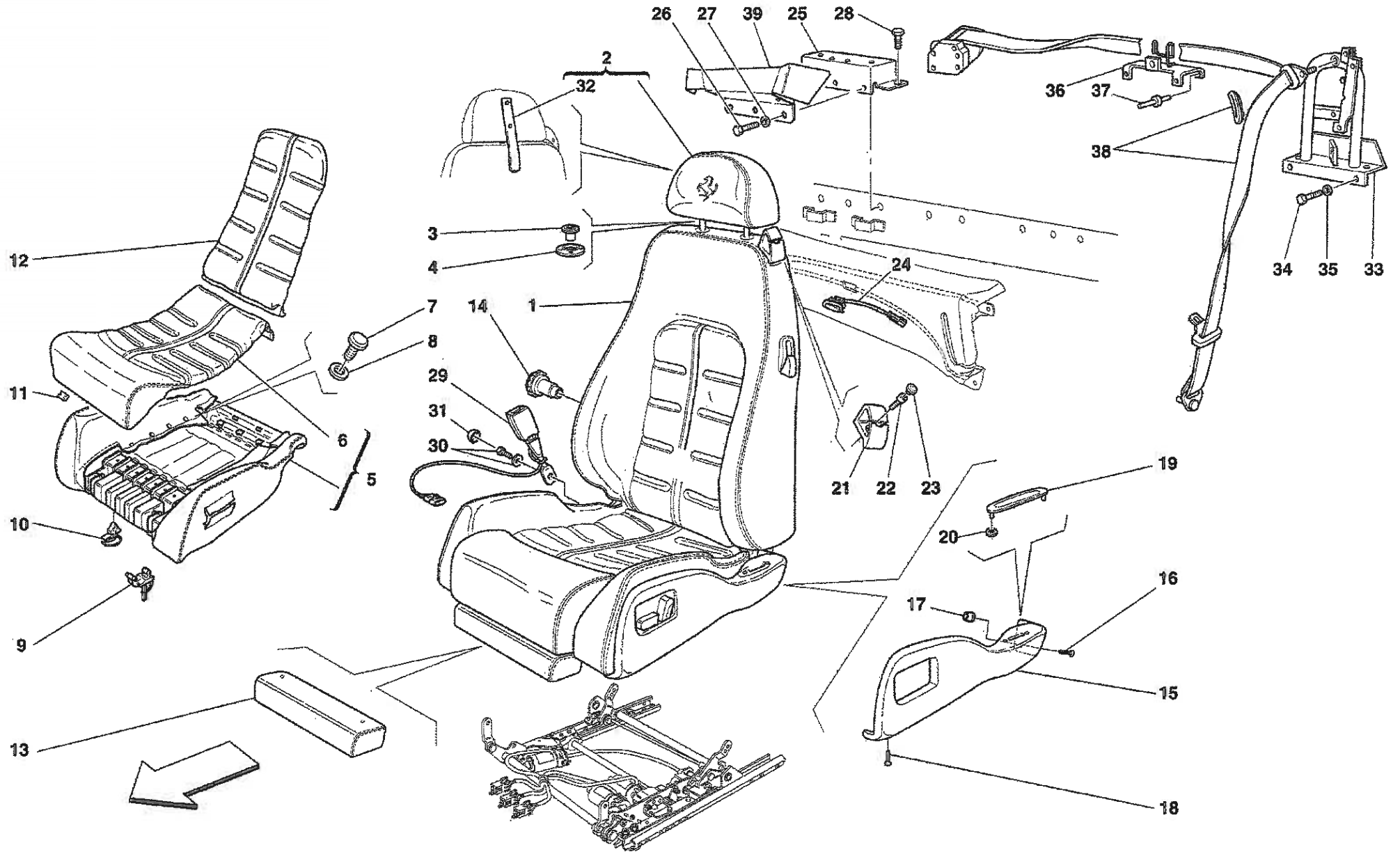


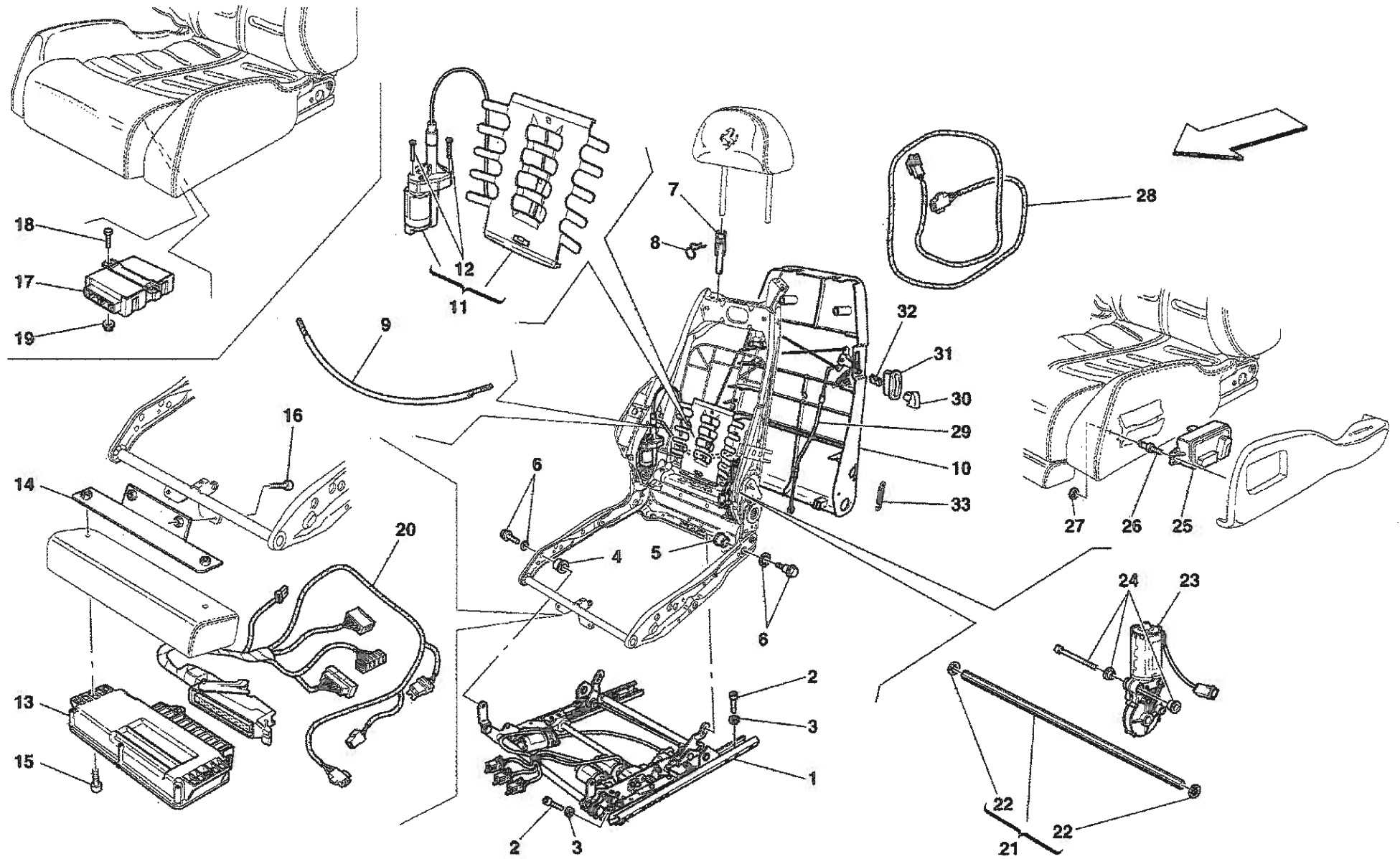


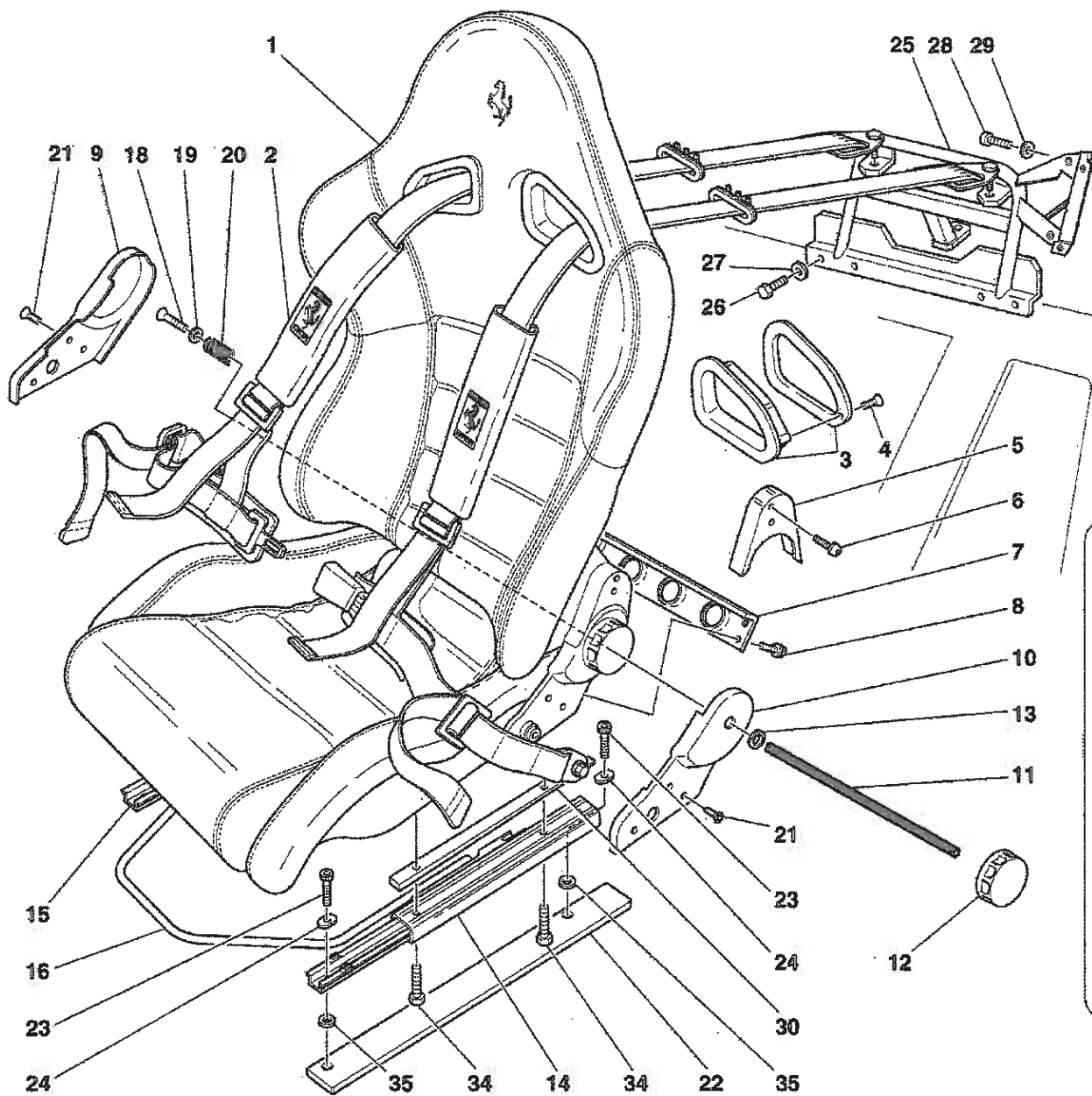
Superamerica - 121 - DOORS - POWER WINDOW AND REARVIEW MIRROR



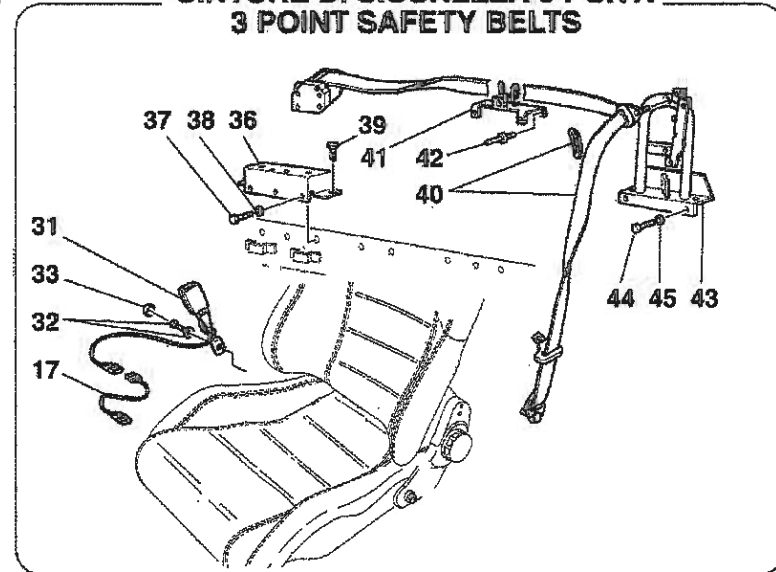


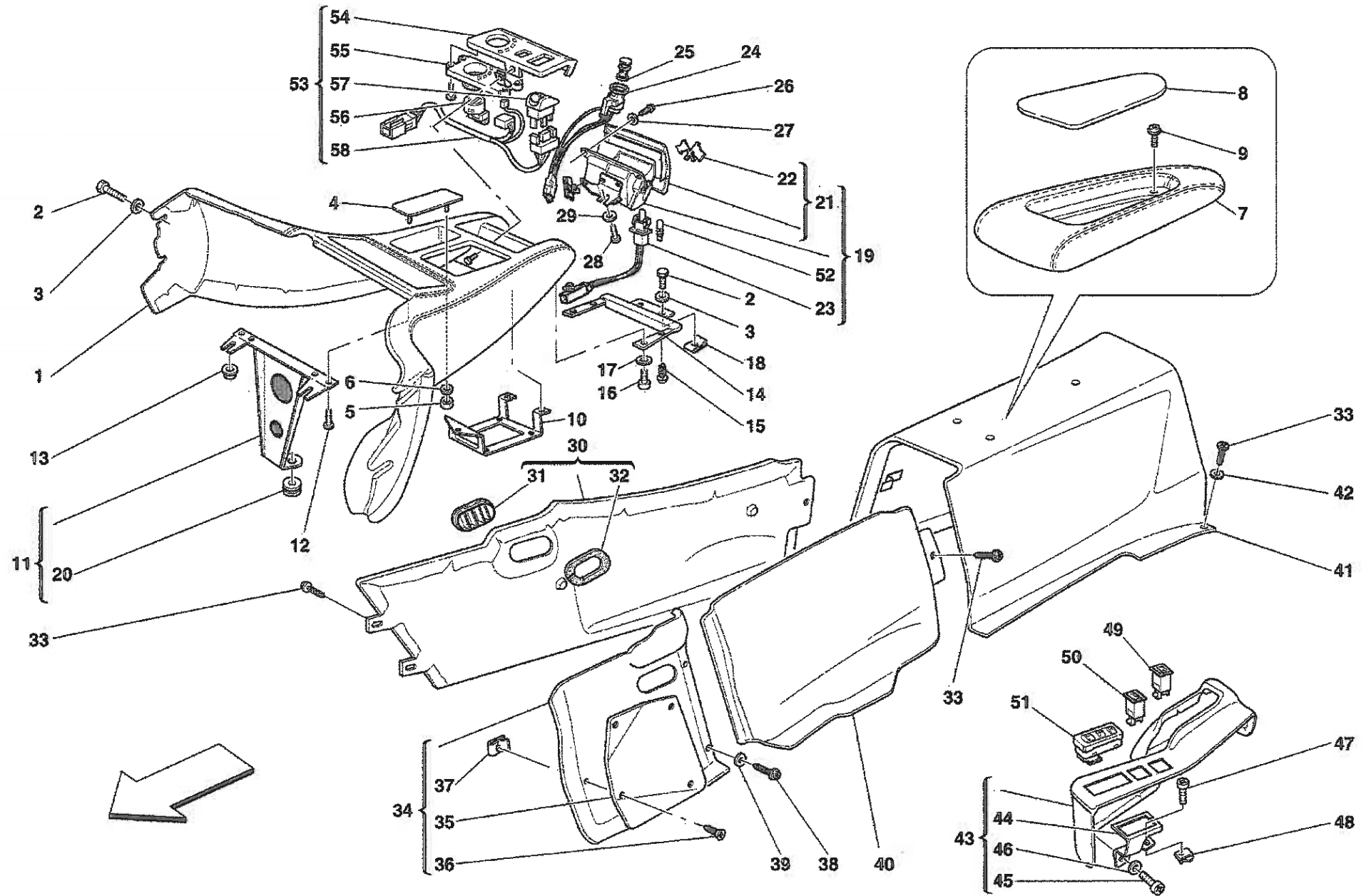


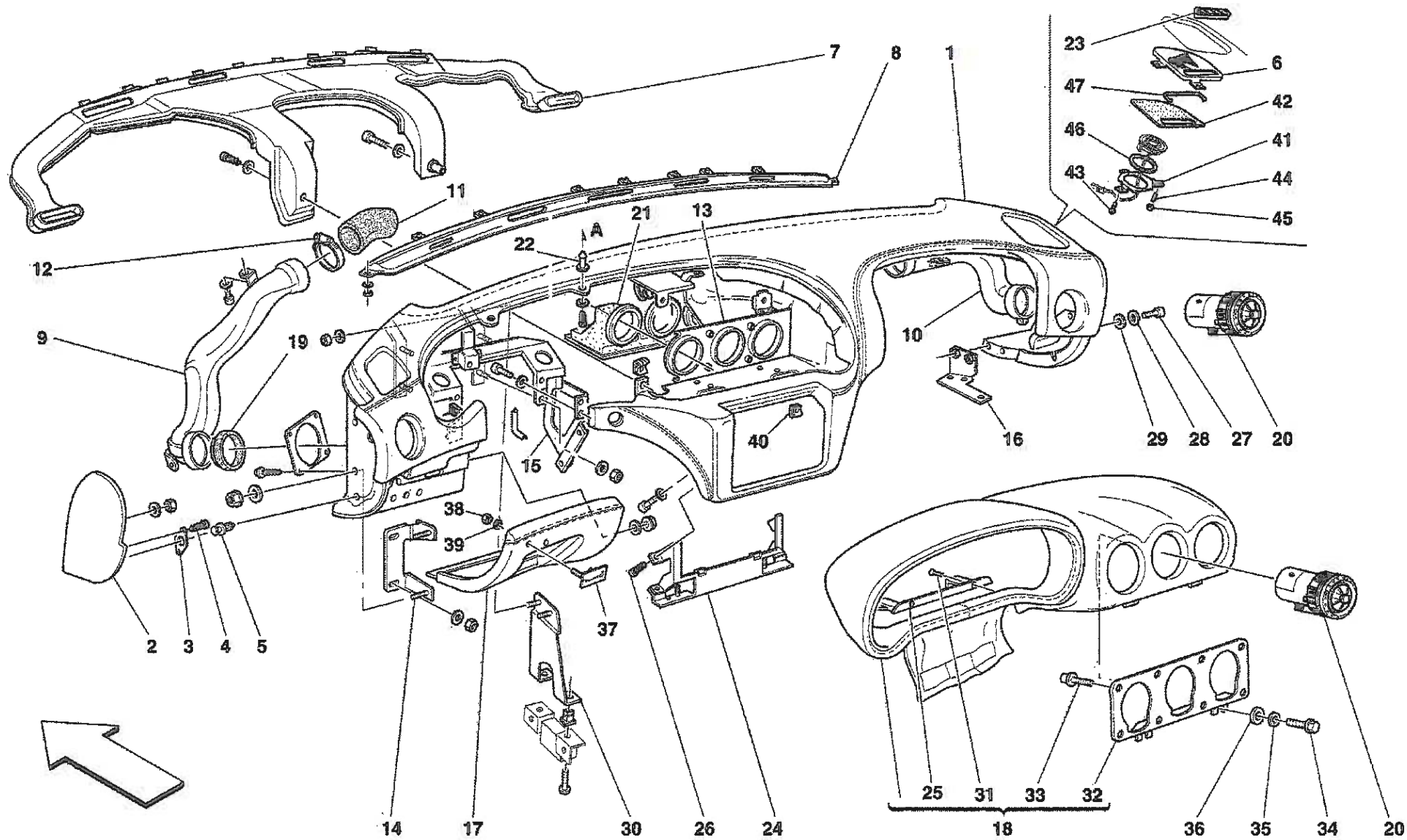


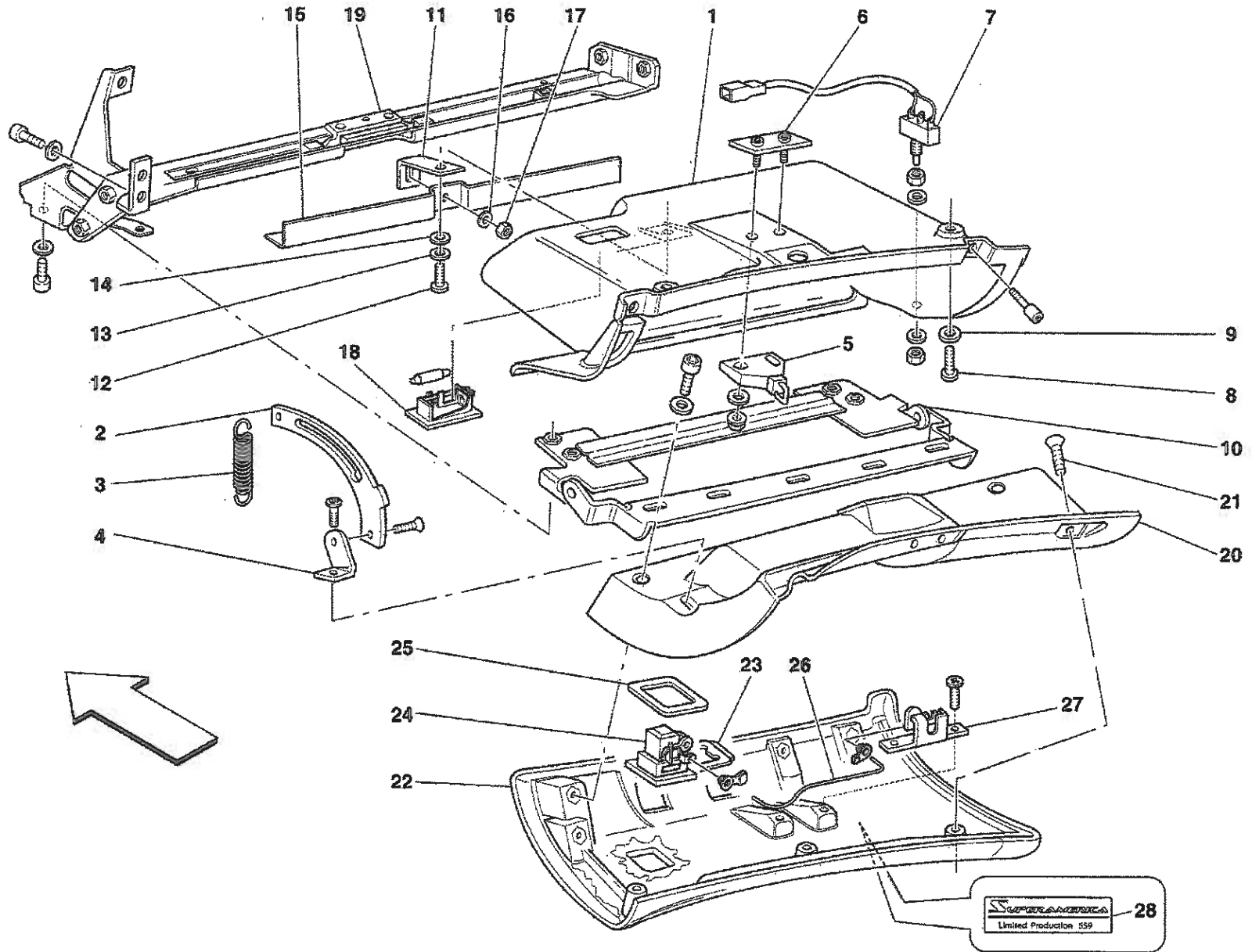


**CINTURE DI SICUREZZA 3 PUNTI  
3 POINT SAFETY BELTS**

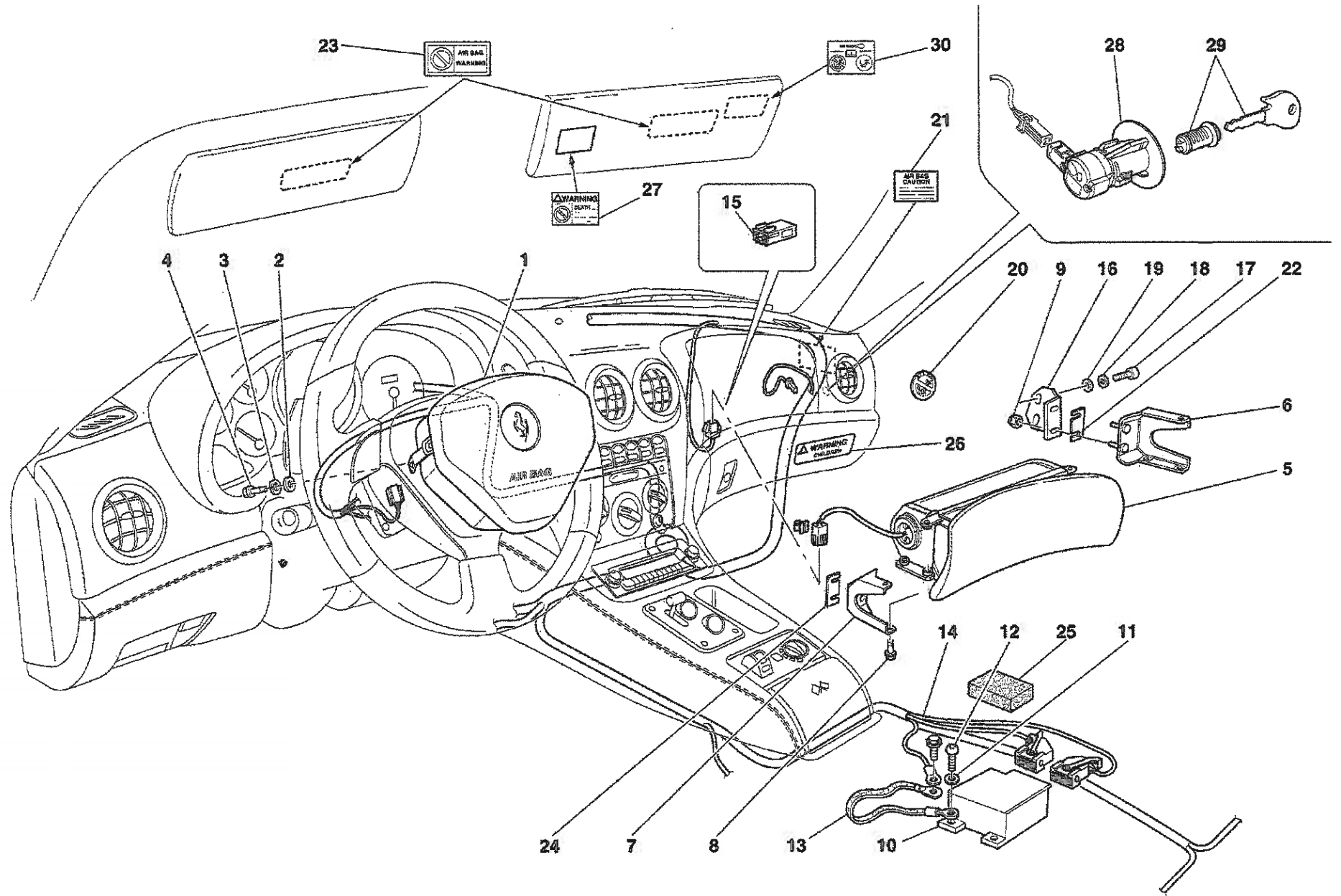


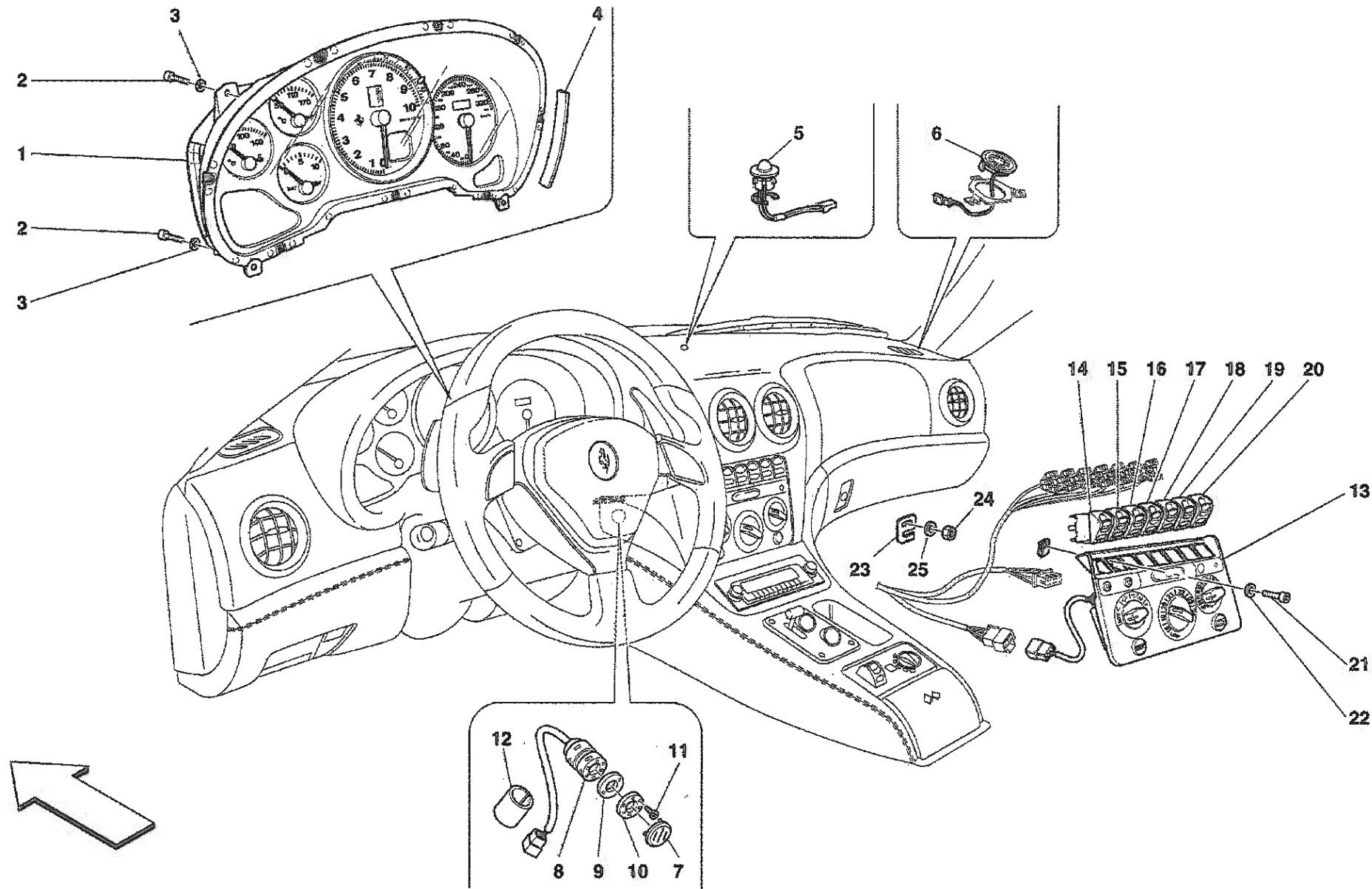


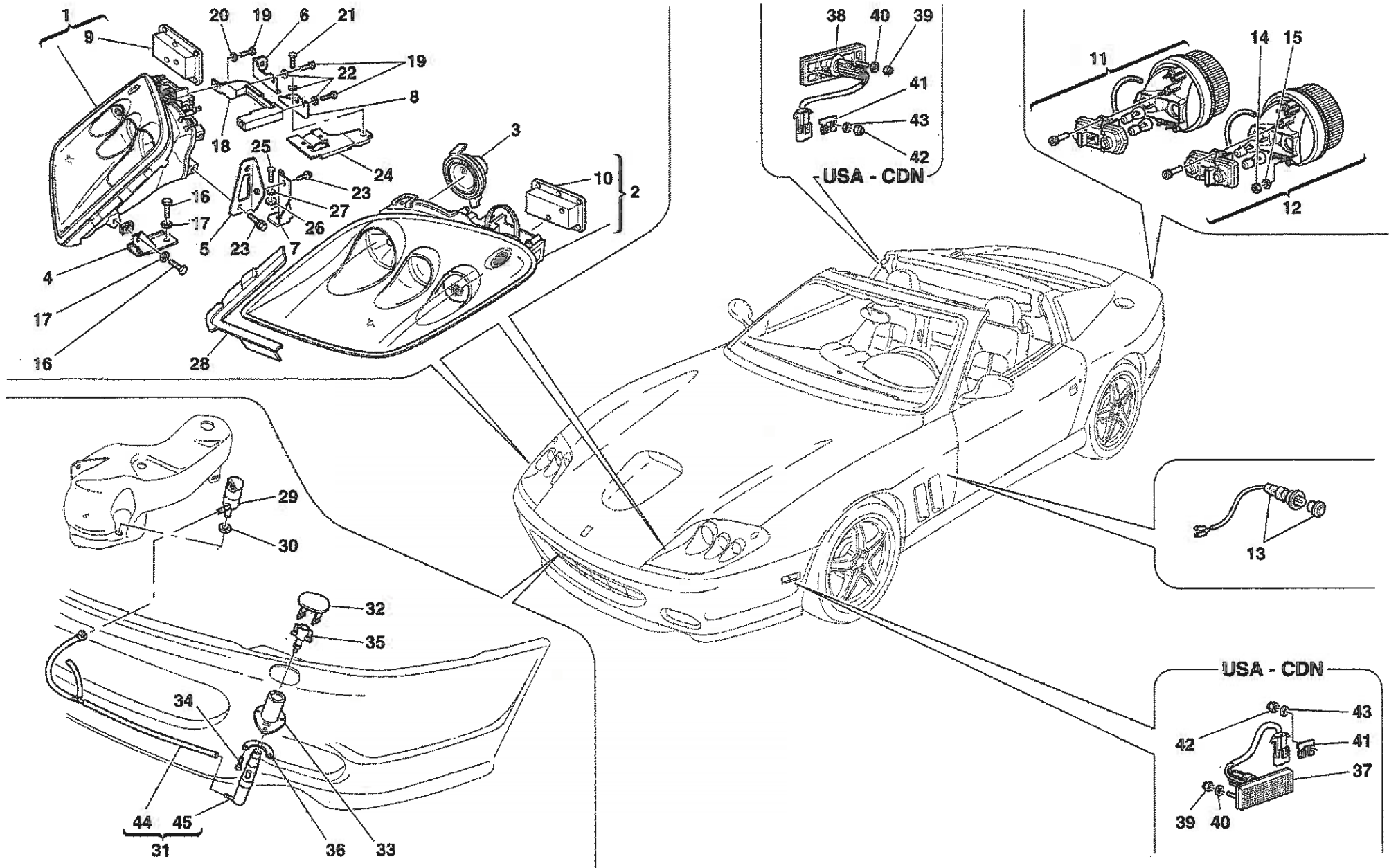


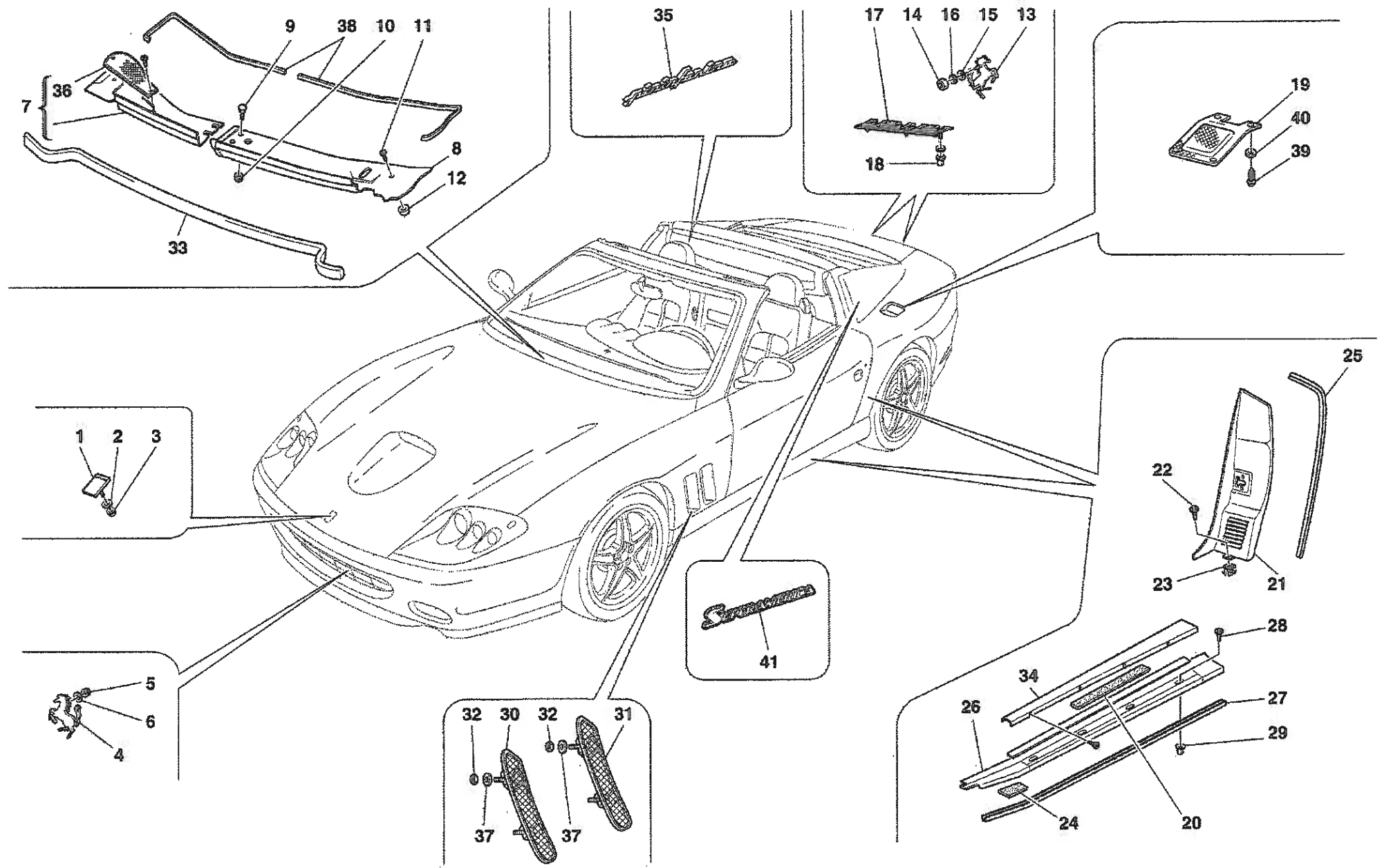


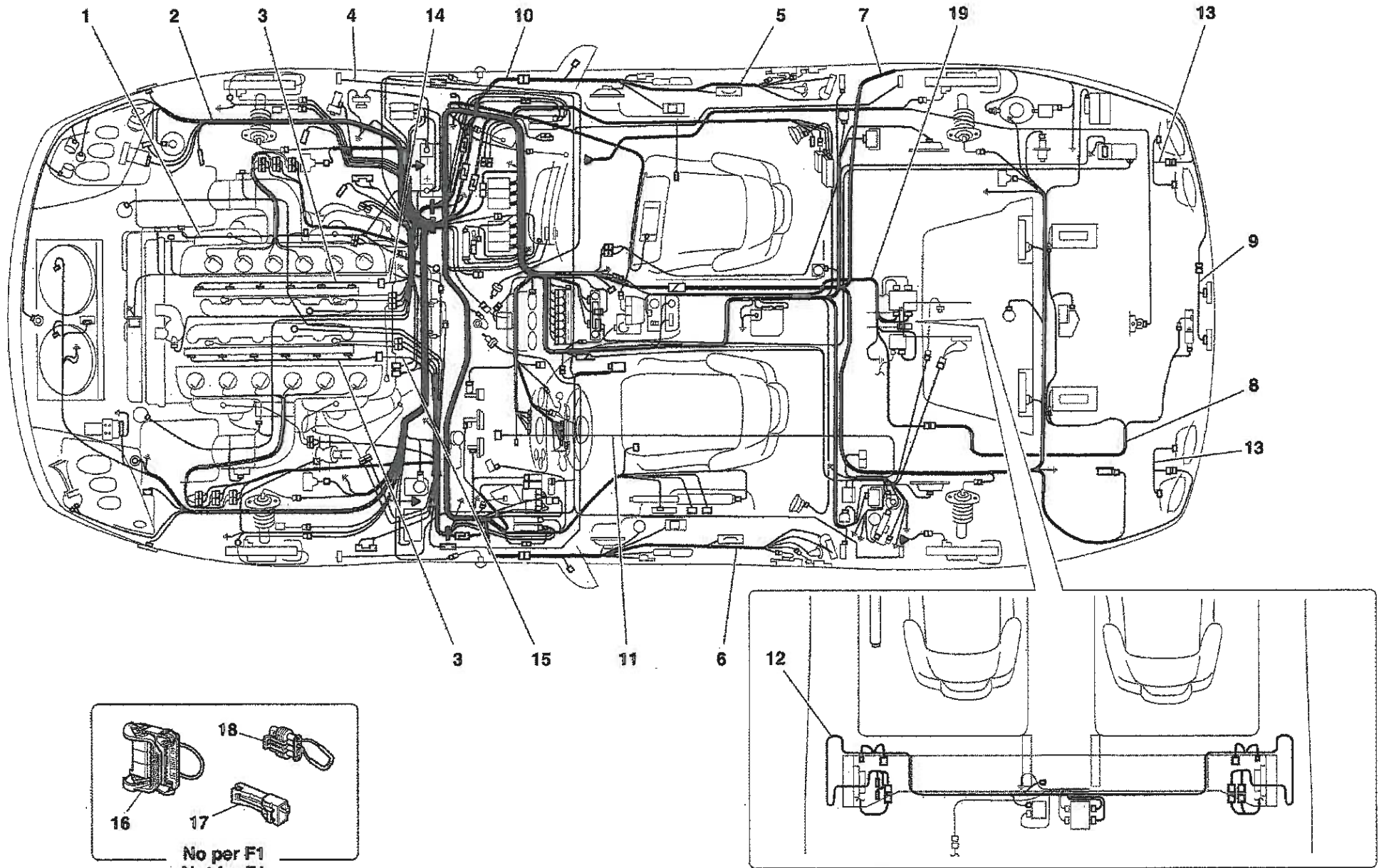




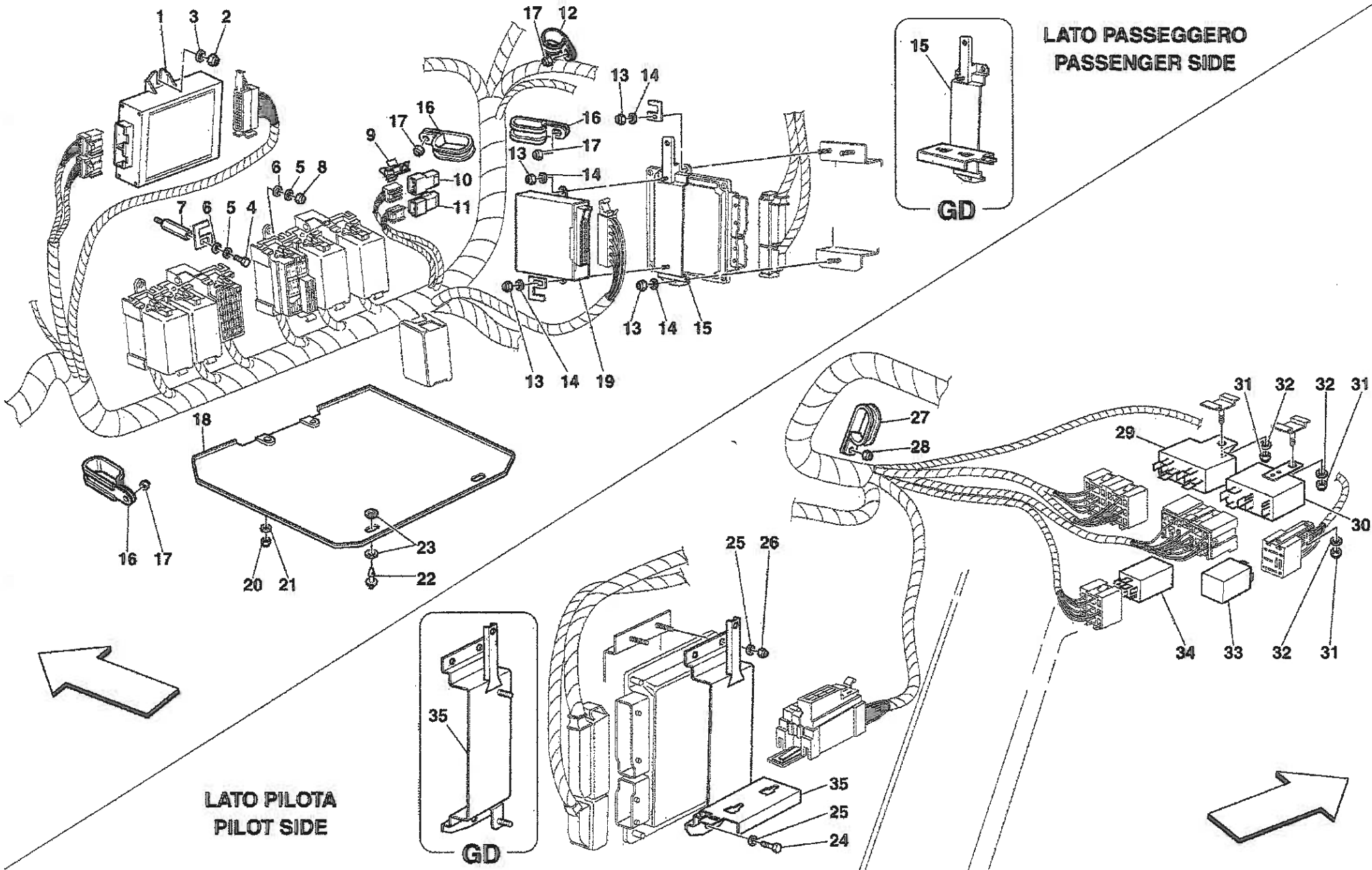


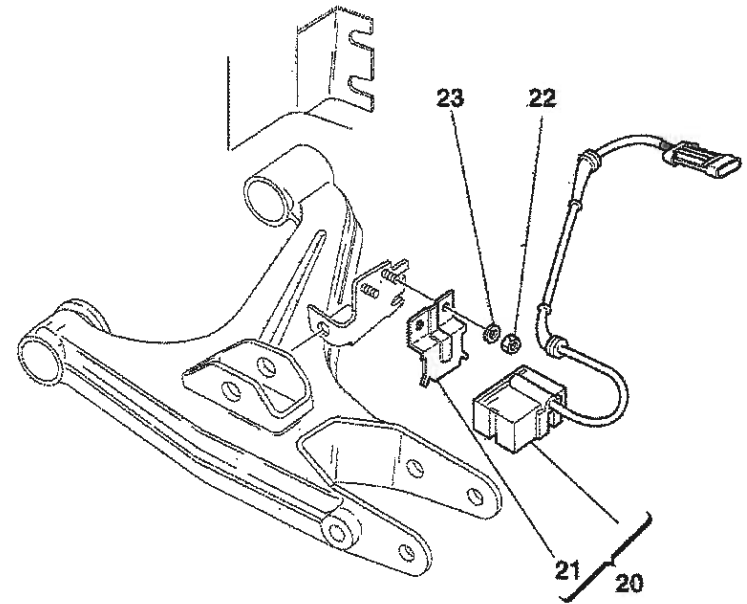
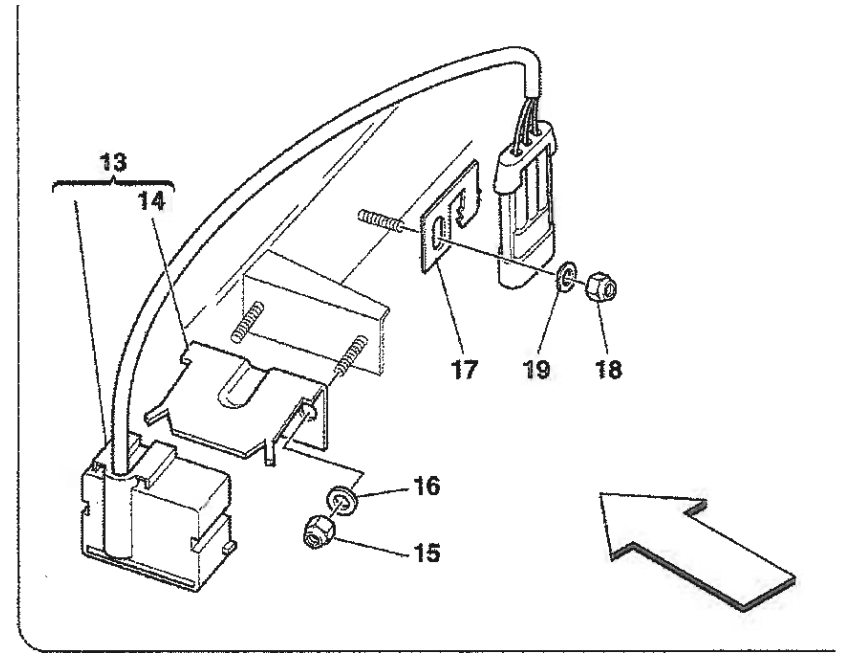
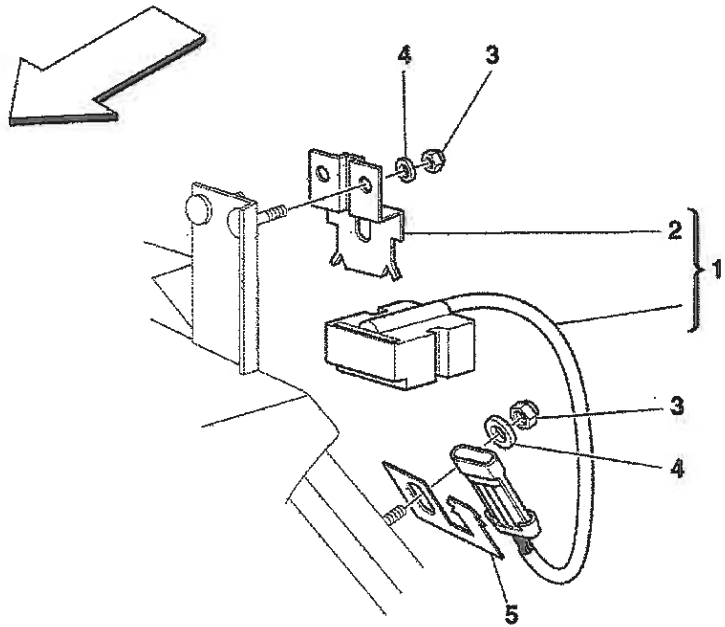
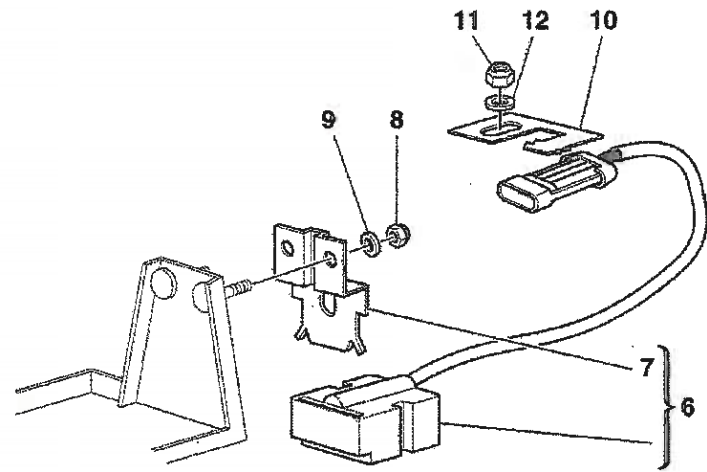




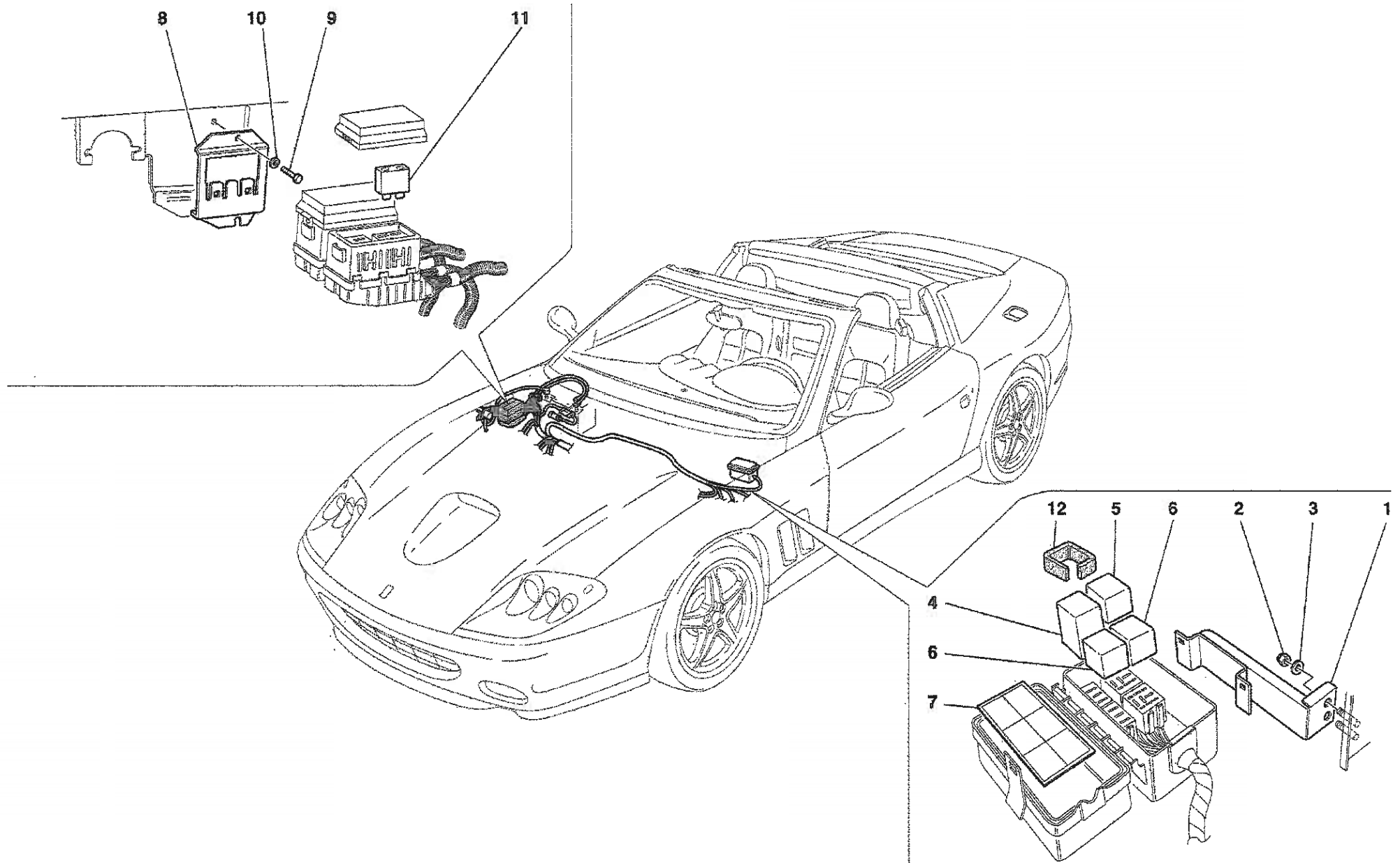


No per F1  
Not for F1

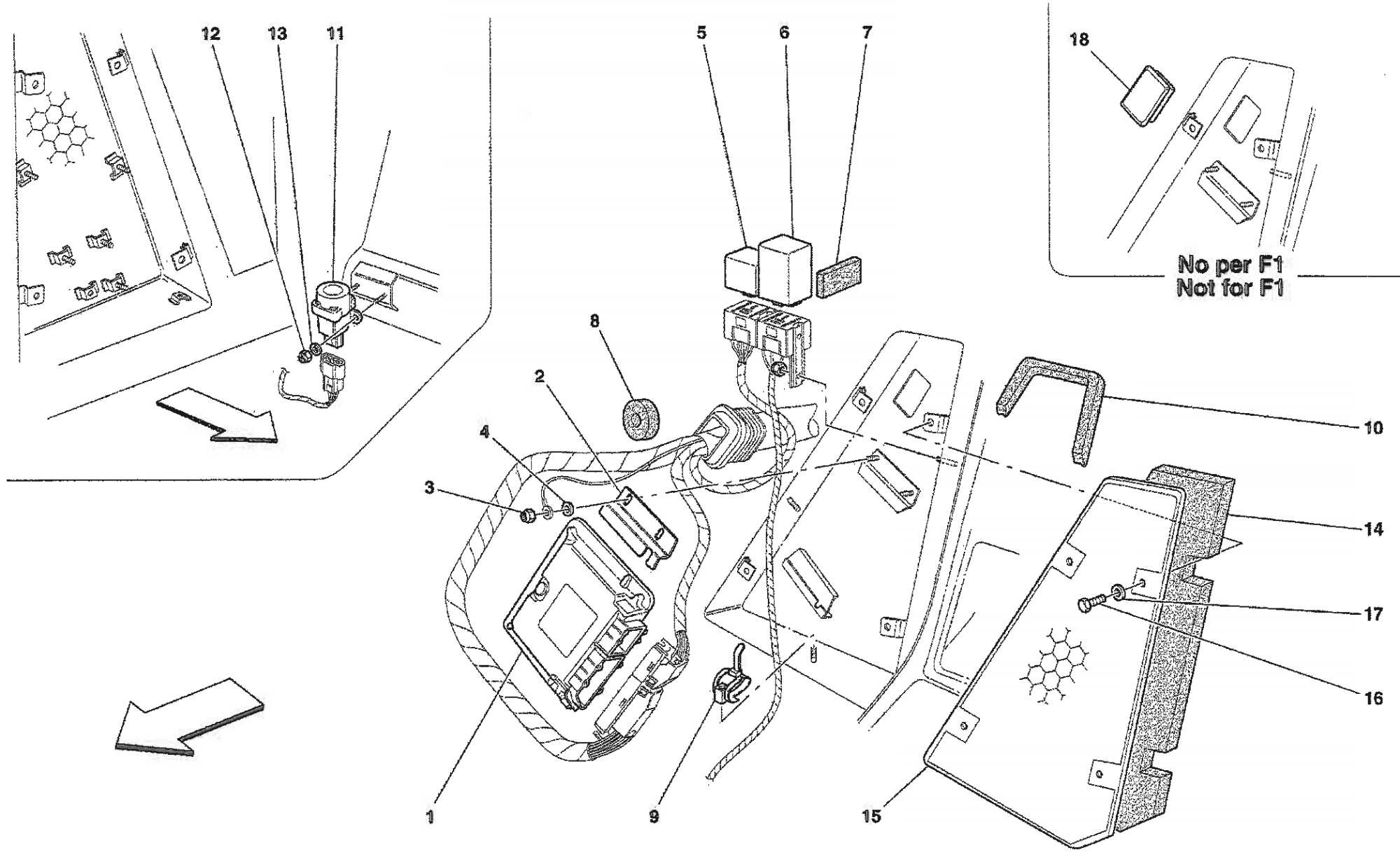




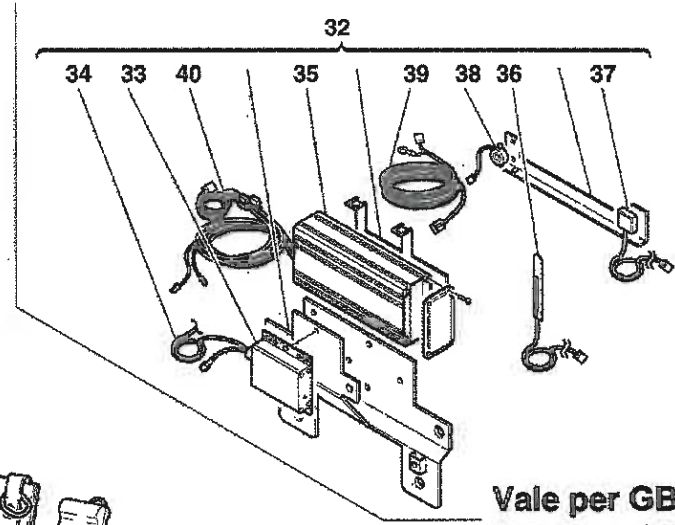
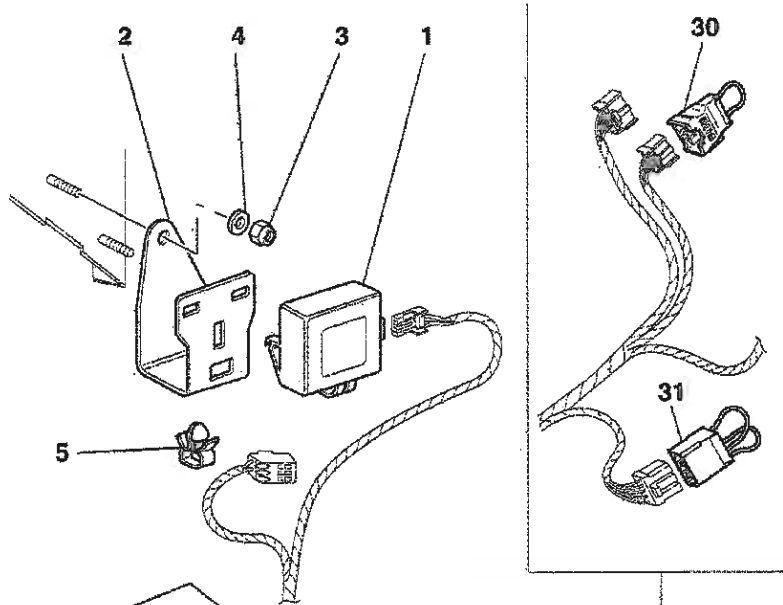
Superamerica - 136 - MOTOR COMPARTMENTS CONTROL STATIONS







No per F1  
Not for F1



Vale per GB  
Valid for GB

