

PROPRIETA' LETTERARIA E ARTISTICA

FERRARI SEFAC S.p.A. MODENA

*E' vietata la riproduzione anche parziale
del testo e delle illustrazioni*

COPYRIGHT by

FERRARI SEFAC S.p.A. MODENA

*All right reserved. The total reproduction of text
and illustrations in this manual, or any part thereof
is not permitted in any form.*

COPYRIGHT

FERRARI SEFAC S.p.A. MODENA

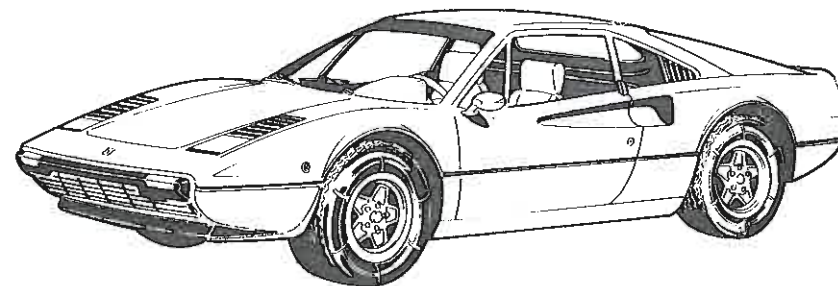
*Reproduction du text et des illustrations
même partielle interdite*

**CATALOGO PARTI DI
RICAMBIO**

**CATALOGUE DES PIECES
DE RECHANGE**

SPARE PARTS CATALOGUE

' VERSIONE 76 '



Ferrari **308**
GTB

LIST OF TABLES

Table 1	- Engine - Gearbox and supports
Table 2	- Crankcase
Table 3	- Crankshaft - connecting rods and pistons
Table 4	- Flywheel and clutch housing spacer
Table 5	- Cylinder head (Right)
Table 6	- Cylinder head (Left)
Table 7	- Timing system - Tappets
Table 8	- Timing system - Controls
Table 9	- Fuel system
Table 10	- Carburettors and air cleaner
Table 11	- Weber 40 DCNF 57 - 58 - 59 - 60 - carburettors
Table 12	- Throttle control
Table 13	- Exhaust system
Table 14	- Blow - by system
Table 15	- Lubrication system
Table 16	- Oil filter and pumps
Table 17	- Cooling system
Table 18	- Water pump and pipings
Table 19	- Clutch operating control
Table 20	- Clutch unit and cover
Table 21	- Gearbox transmission
Table 22	- Gearbox - differential housing and oil sump
Table 23	- Main shaft gears
Table 24	- Lay shaft gears
Table 25	- Inside gearbox controls

Table 26	- Outside gearbox controls
Table 27	- Differential and axle shafts
Table 28	- Pedal board - brake and clutch controls
Table 29	- Brake system
Table 30	- Calipers for front and rear brakes
Table 31	- Hand - brake control
Table 32	- Steering box and linkage
Table 33	- Steering column
Table 34	- Front suspension. Shock absorber and brake disc
Table 35	- Front suspension. Wishbones
Table 36	- Rear suspension. Shock absorber and brake disc
Table 37	- Rear suspension. Wishbones
Table 38	- Wheels
Table 39	- Engine ignition
Table 40	- Electric generating system
Table 41	- Air conditioning system
Table 42	- Air conditioning compressor and controls
Table 43	- Tool - kit

VARIANTS FOR R.H.D. VERSION

Table 44	- Throttle control
Table 45	- Pedal board - Clutch control
Table 46	- Brake hydraulic system

LIST OF TABLES

Table 101 -

Table 102 - Body shell - Outer elements

Table 103 - Body shell - Inner elements

Table 104 - Body shell - Inner elements

Table 105 - Passenger and luggage compartments
insulation

Table 106 - Front compartment lid

Table 107 - Rear bonnet and luggage compartment
covering

Table 108 - Doors

Table 109 - Bumpers and mouldings

Table 110 - Glasses

Table 111 - Interior trim, accessories and seats

Table 112 - Tunnel and roof

Table 113 - Instrument panel

Table 114 - Carpeting

Table 115 - Instruments and accessories

Table 116 - Body electrical

Table 117 - Fuses and relays

Table 118 - Headlights lifting device

Table 119 - Lights

Table 120 - Windshield wiper, washer and horn

Table 121 - Heating system

LIST OF TABLES

Table 151 -

Table 152 - Body shell - Outer elements

Table 153 - Body shell - Inner elements

Table 154 - Body shell - Inner elements

Table 155 - Passenger and luggage compartments
insulation

Table 156 - Front compartment lid

Table 157 - Rear bonnet and luggage compartment
covering

Table 158 - Doors

Table 159 - Bumpers and mouldings

Table 160 - Glasses

Table 161 - Interior trim, accessories and seats

Table 162 - Tunnel and roof

Table 163 - Instrument panel

Table 164 - Carpeting

Table 165 - Instruments and accessories

Table 166 - Body electrical

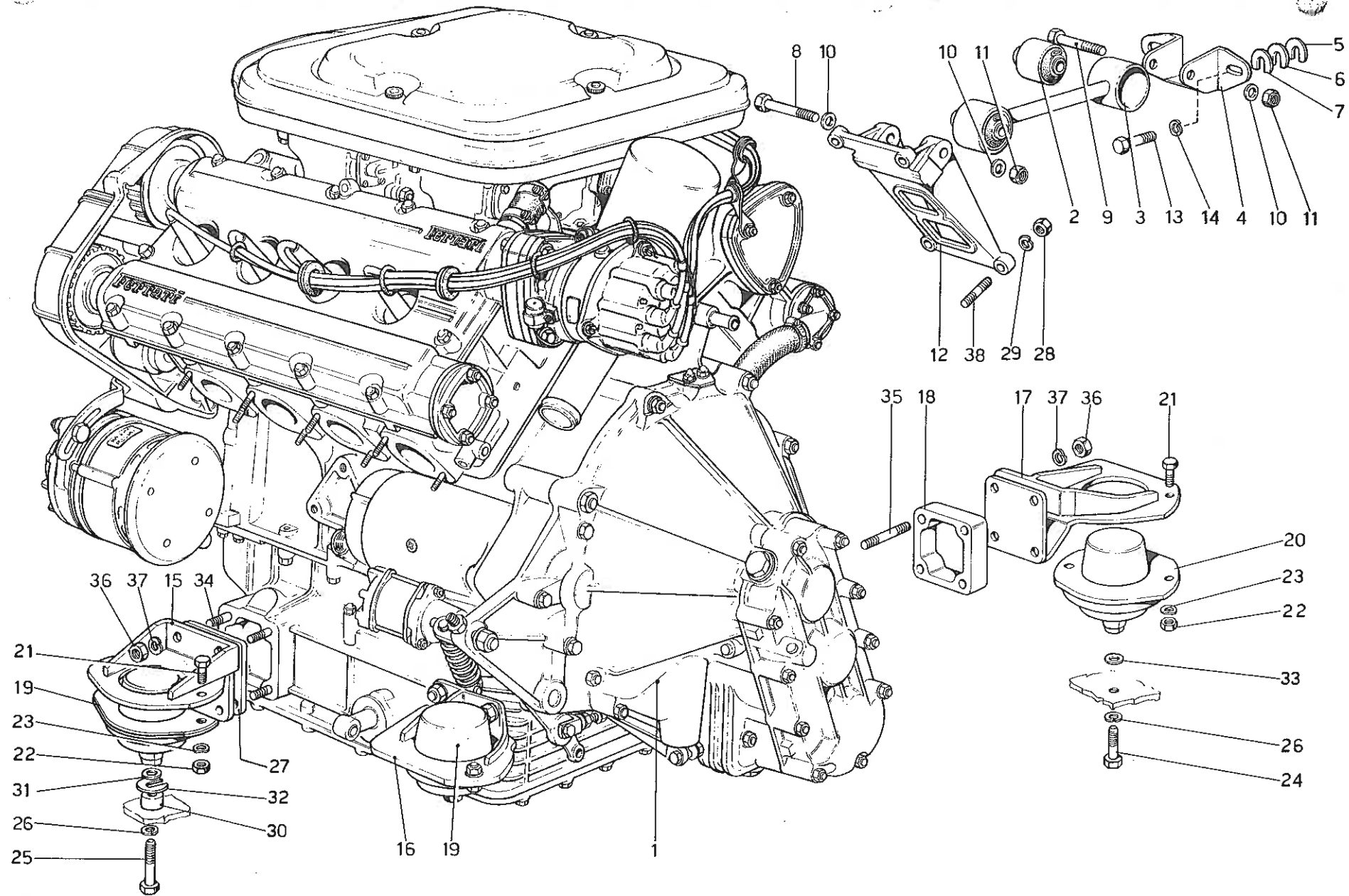
Table 167 - Fuses and relays

Table 168 - Headlights lifting device

Table 169 - Lights

Table 170 - Windshield wiper, washer and horn

Table 171 - Heating system



Ferrari 308
GTB

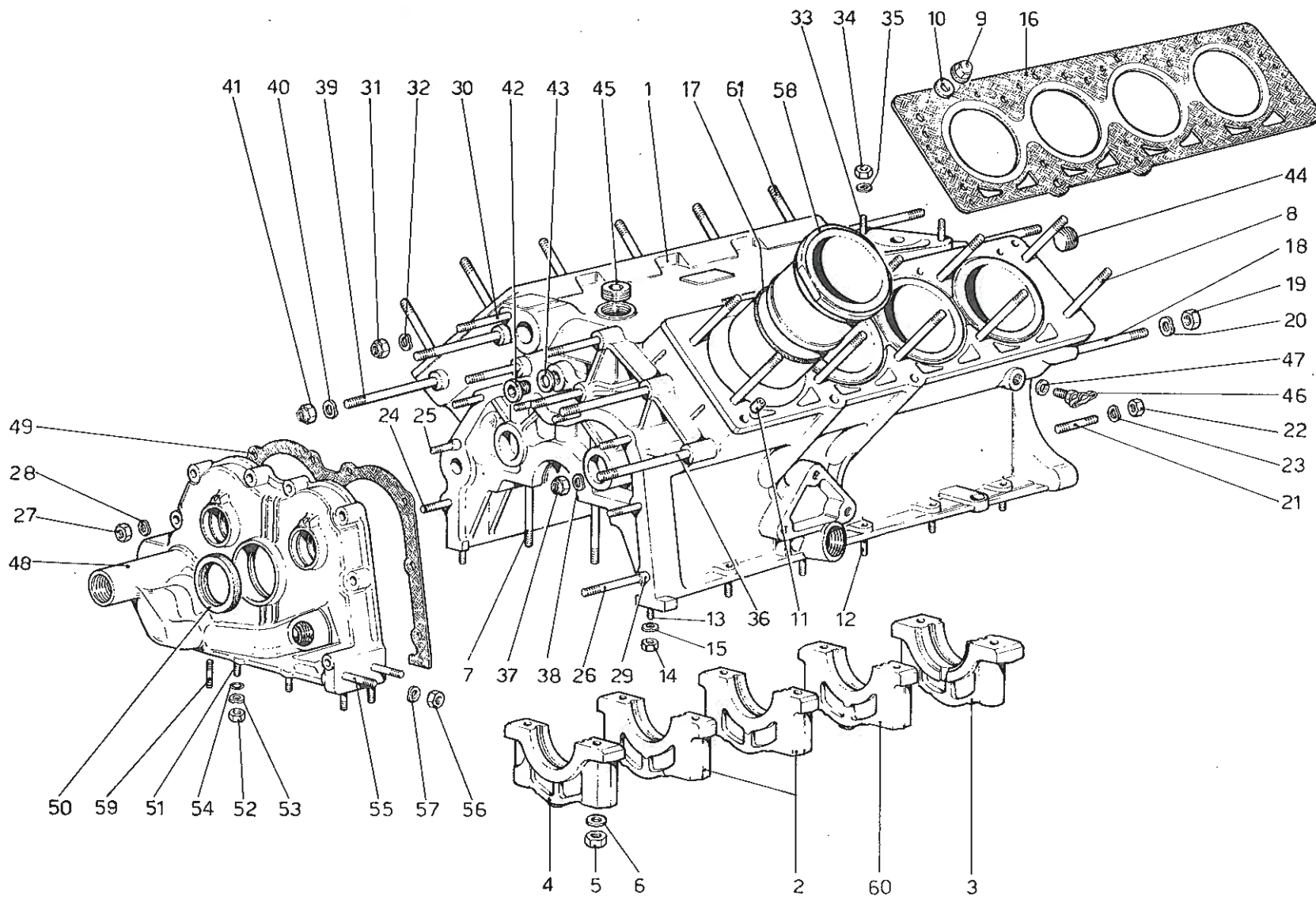
GRUPPO MOTORE - CAMBIO E SUPPORTI

Note: _____

TAV. 1

ESPONENTE MODIFICA:

DATA: DICEMBRE 1975



Ferrari 308
GTB

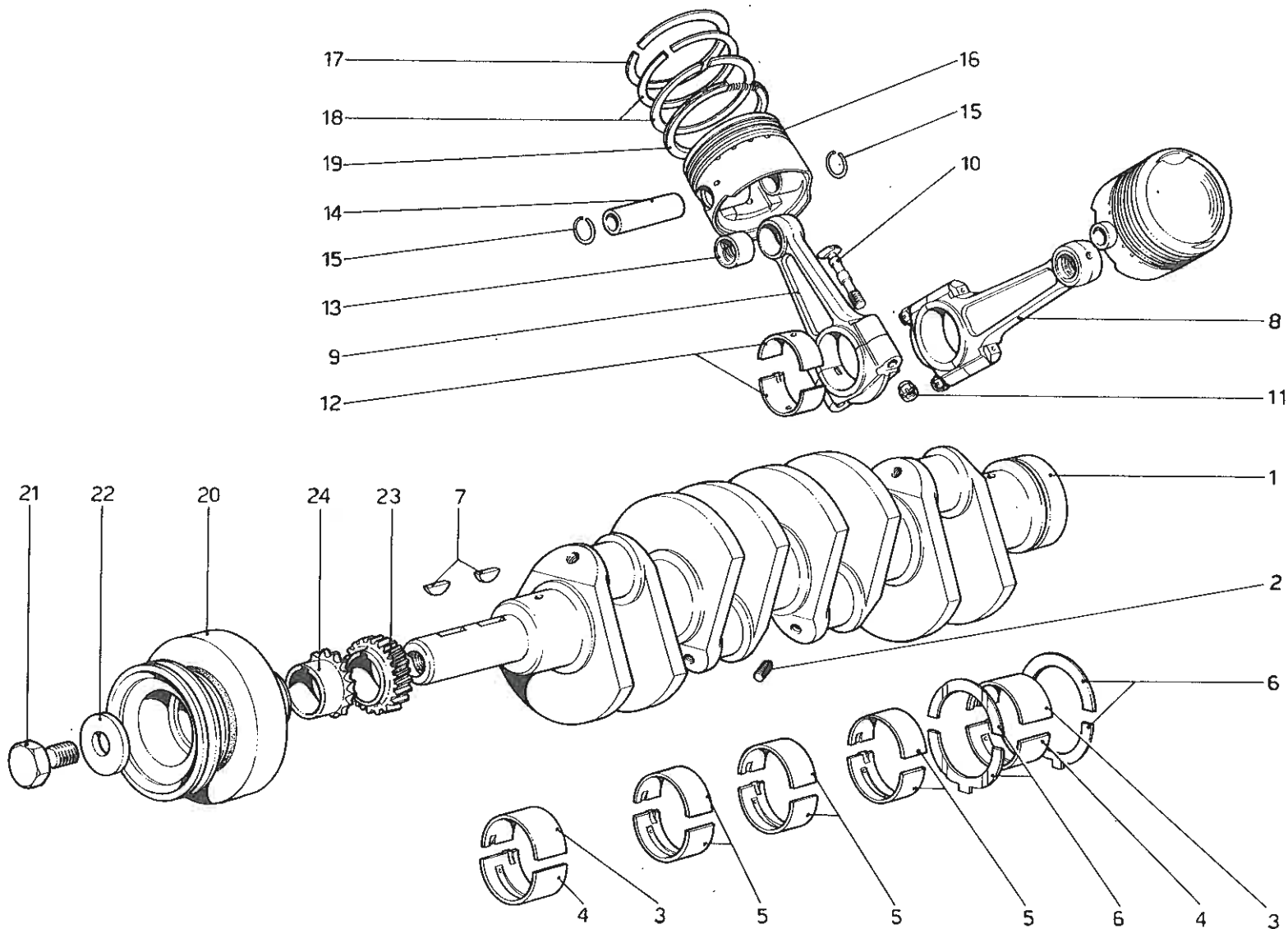
BASAMENTO

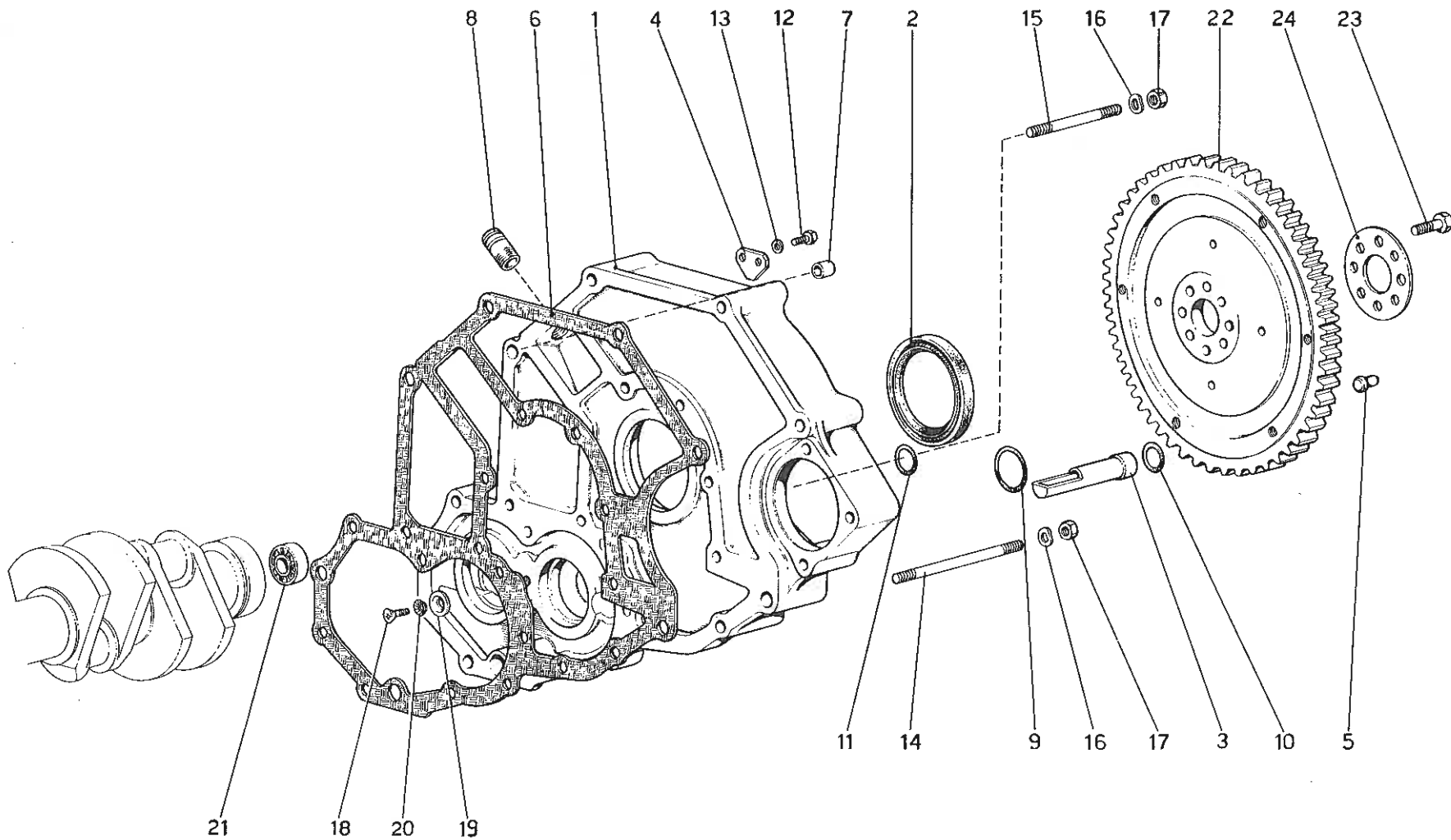
Note: _____

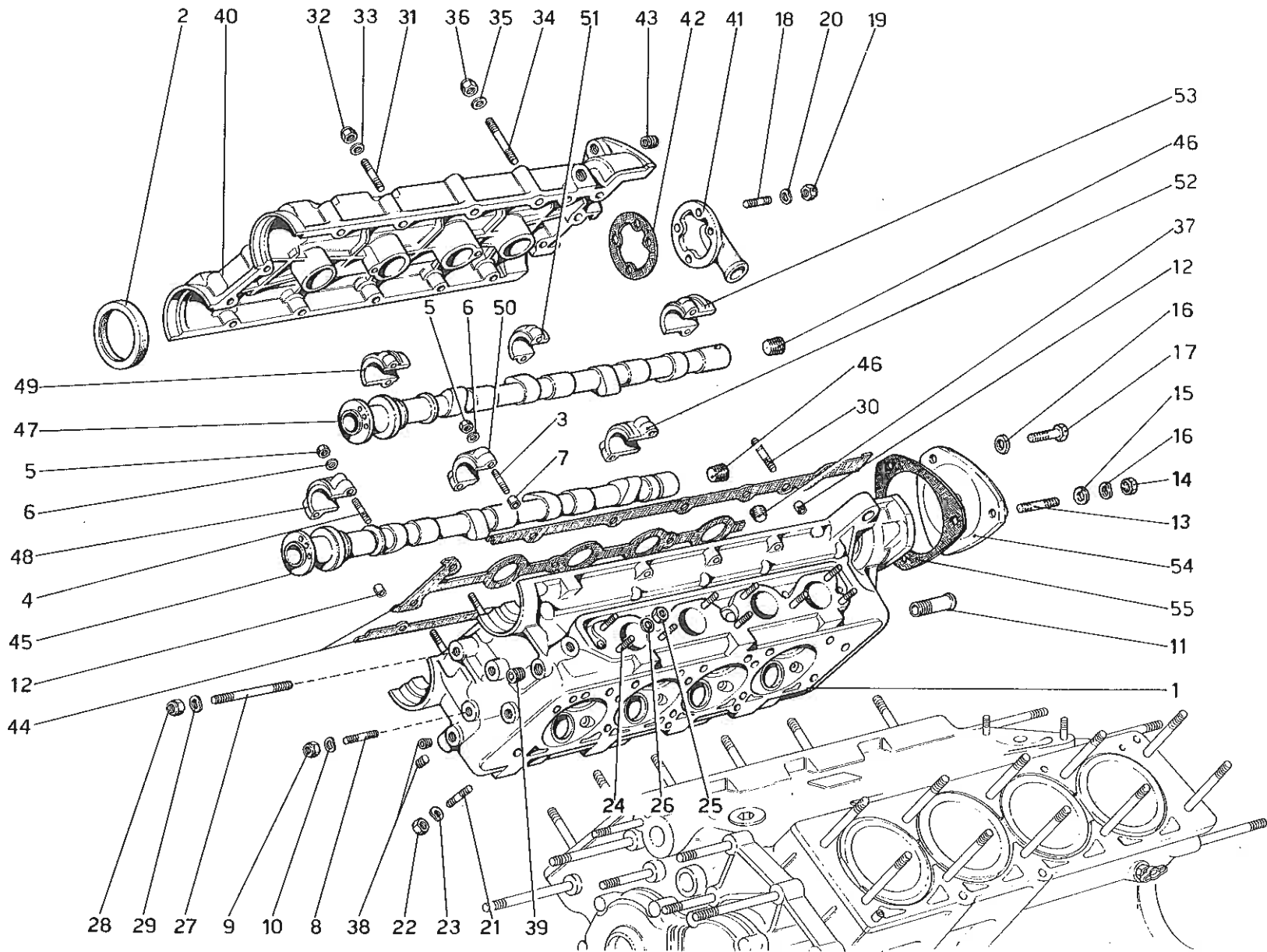
TAV. 2

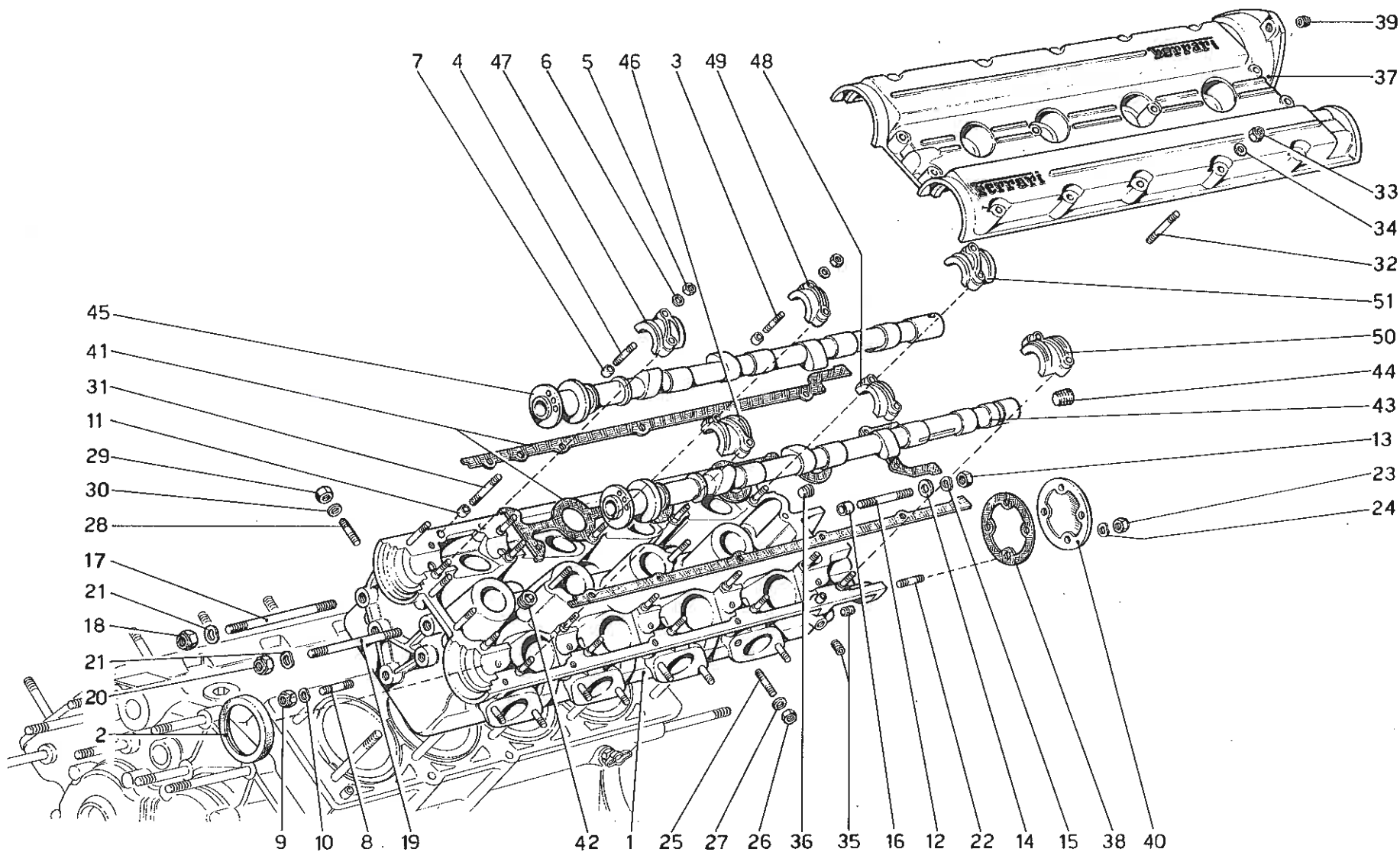
ESPONENTE MODIFICA:

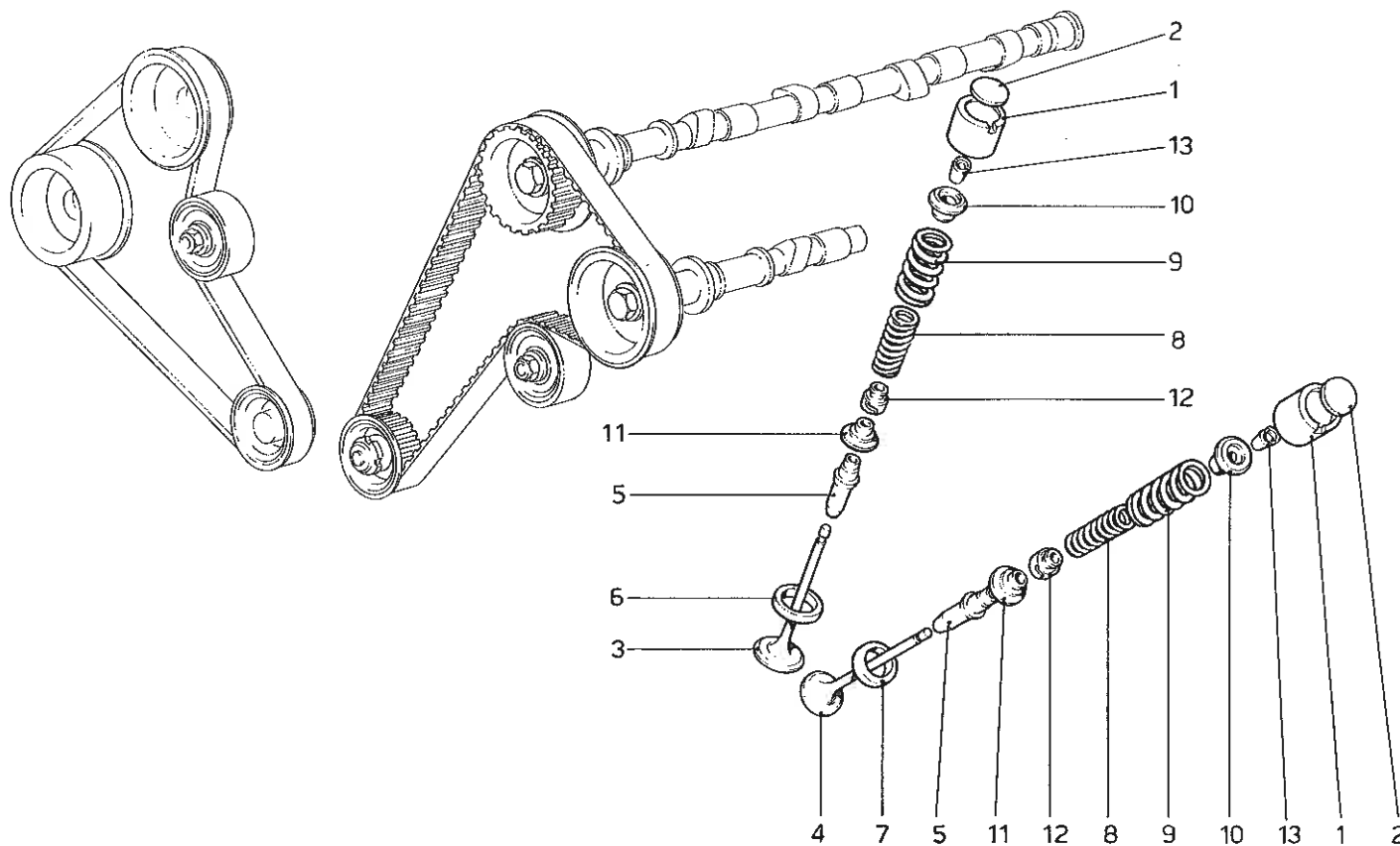
DATA: DICEMBRE 1975

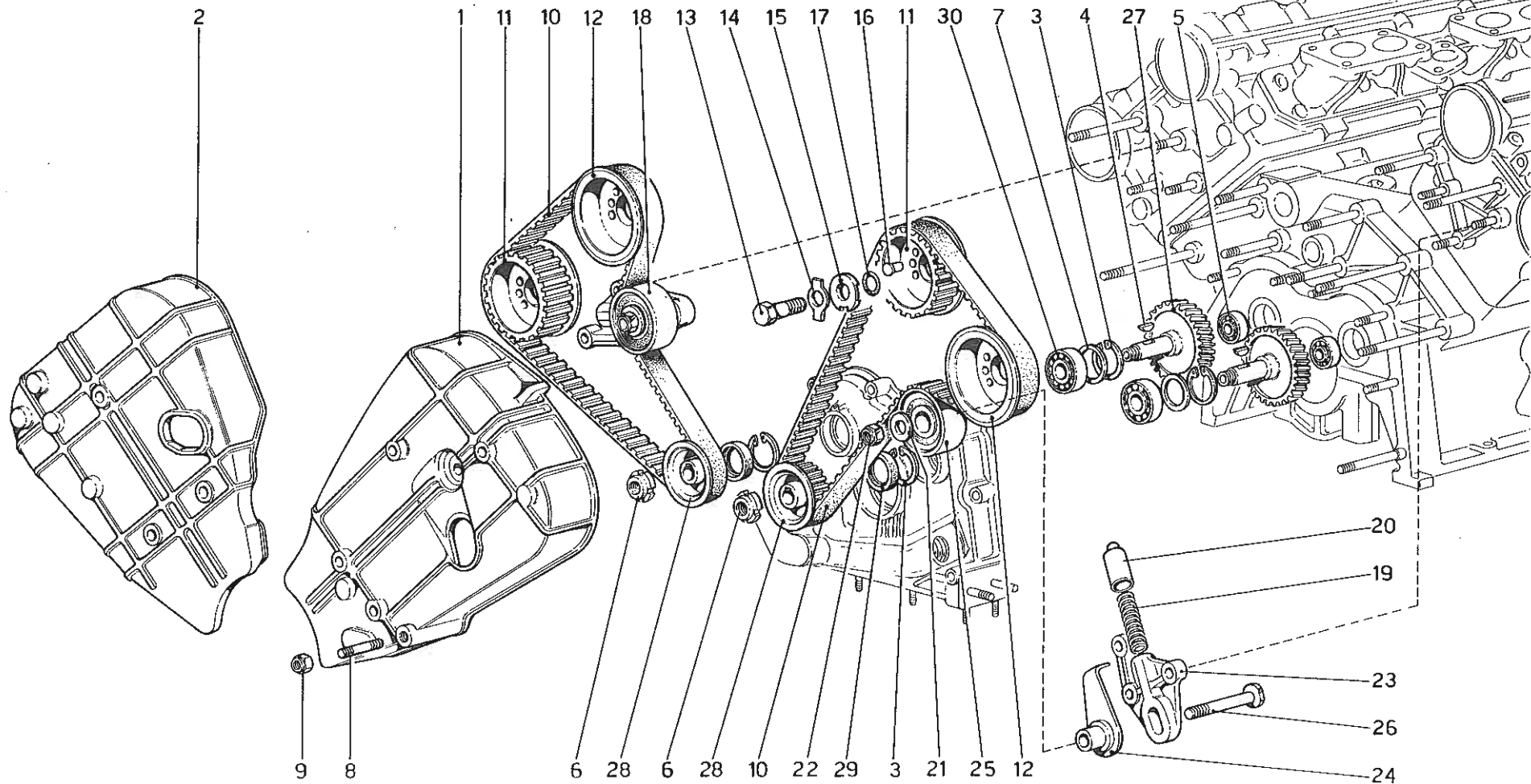


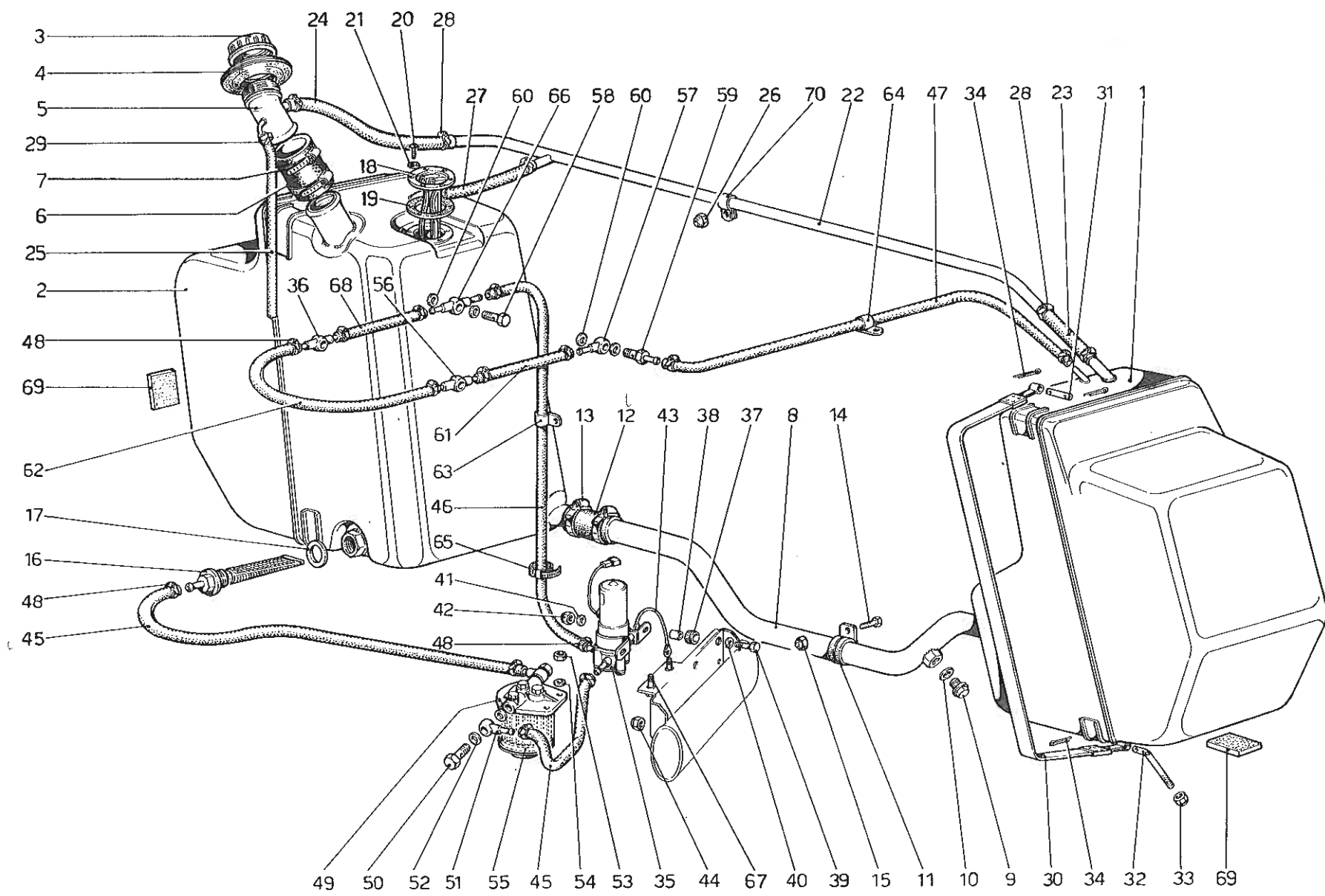


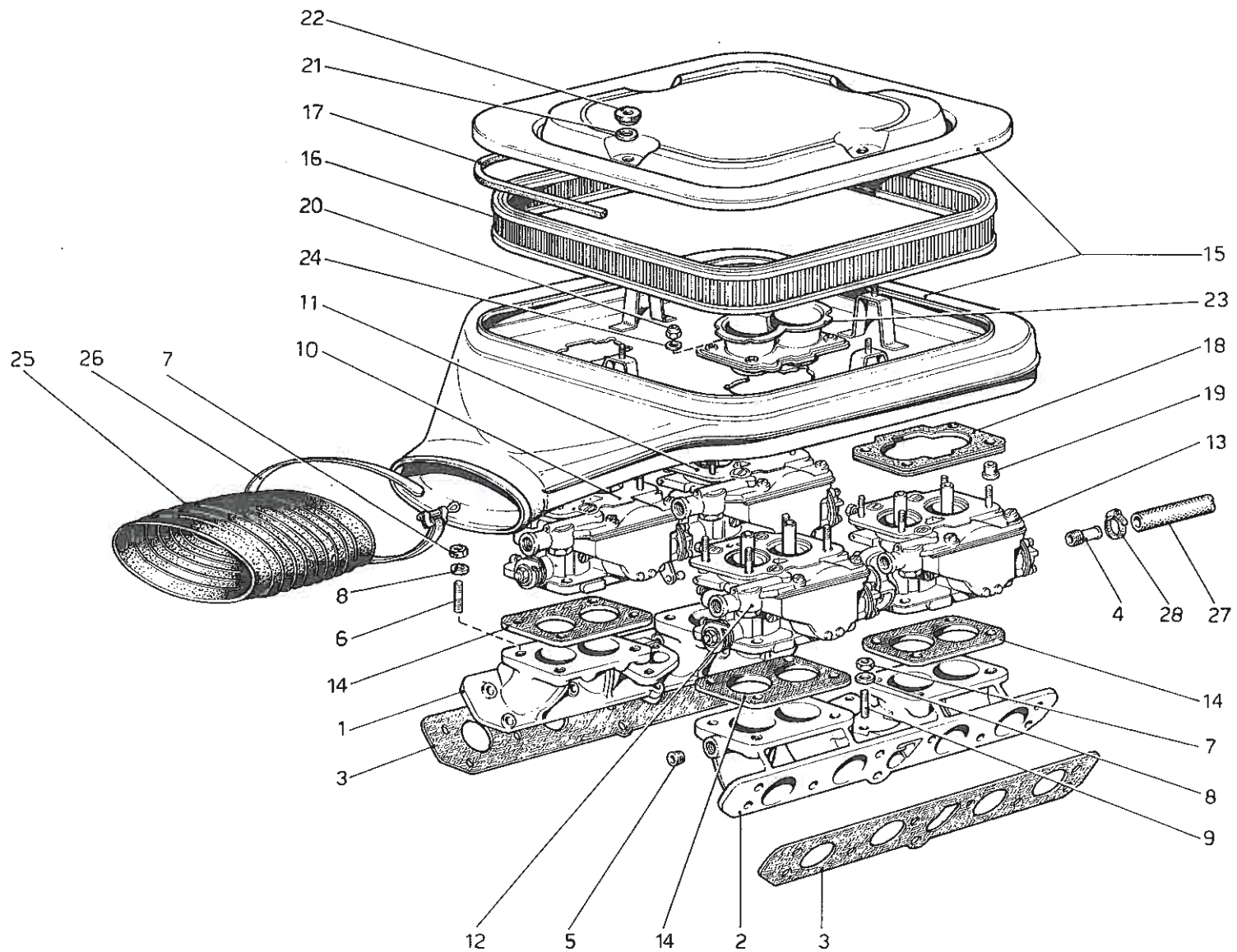


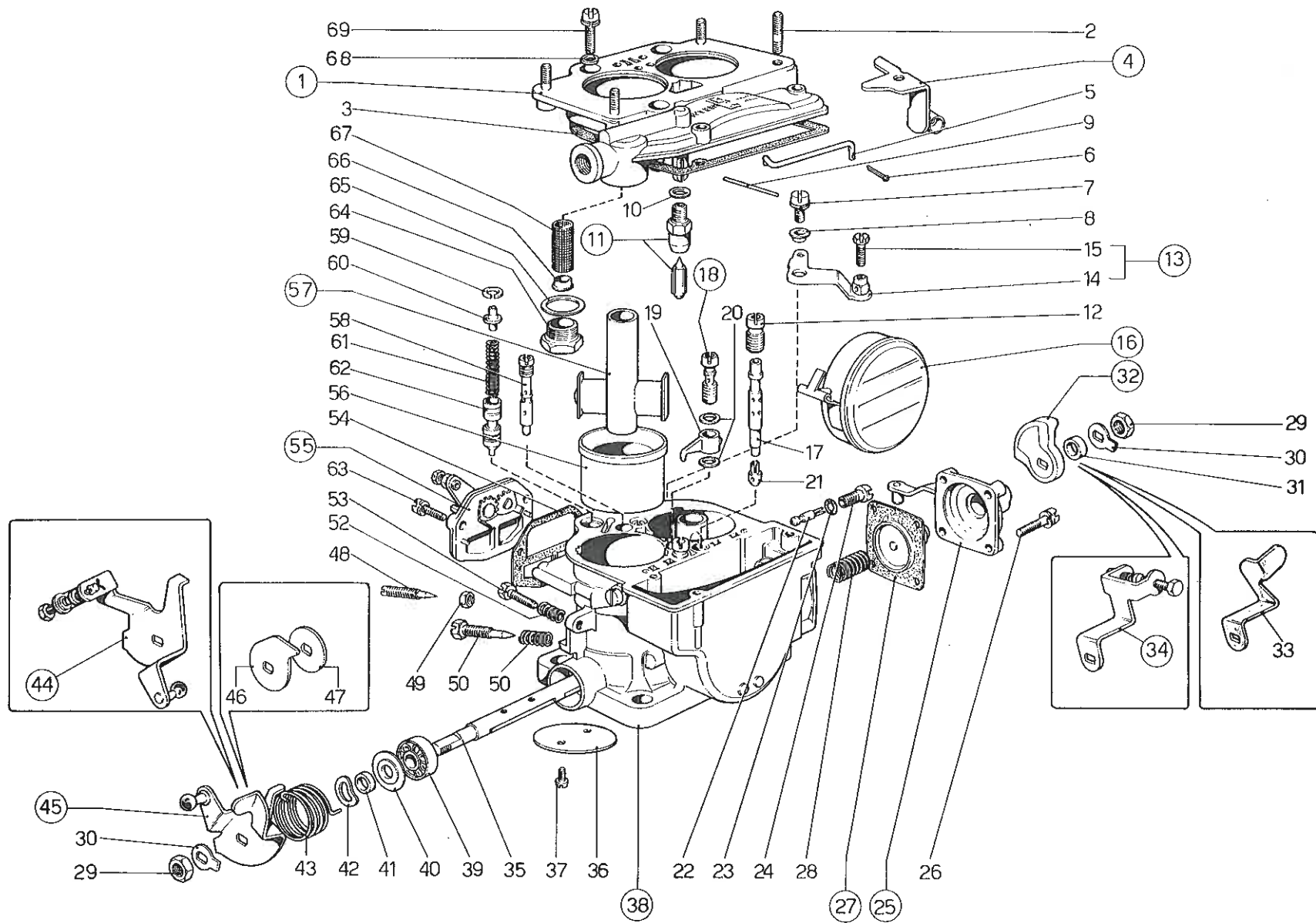


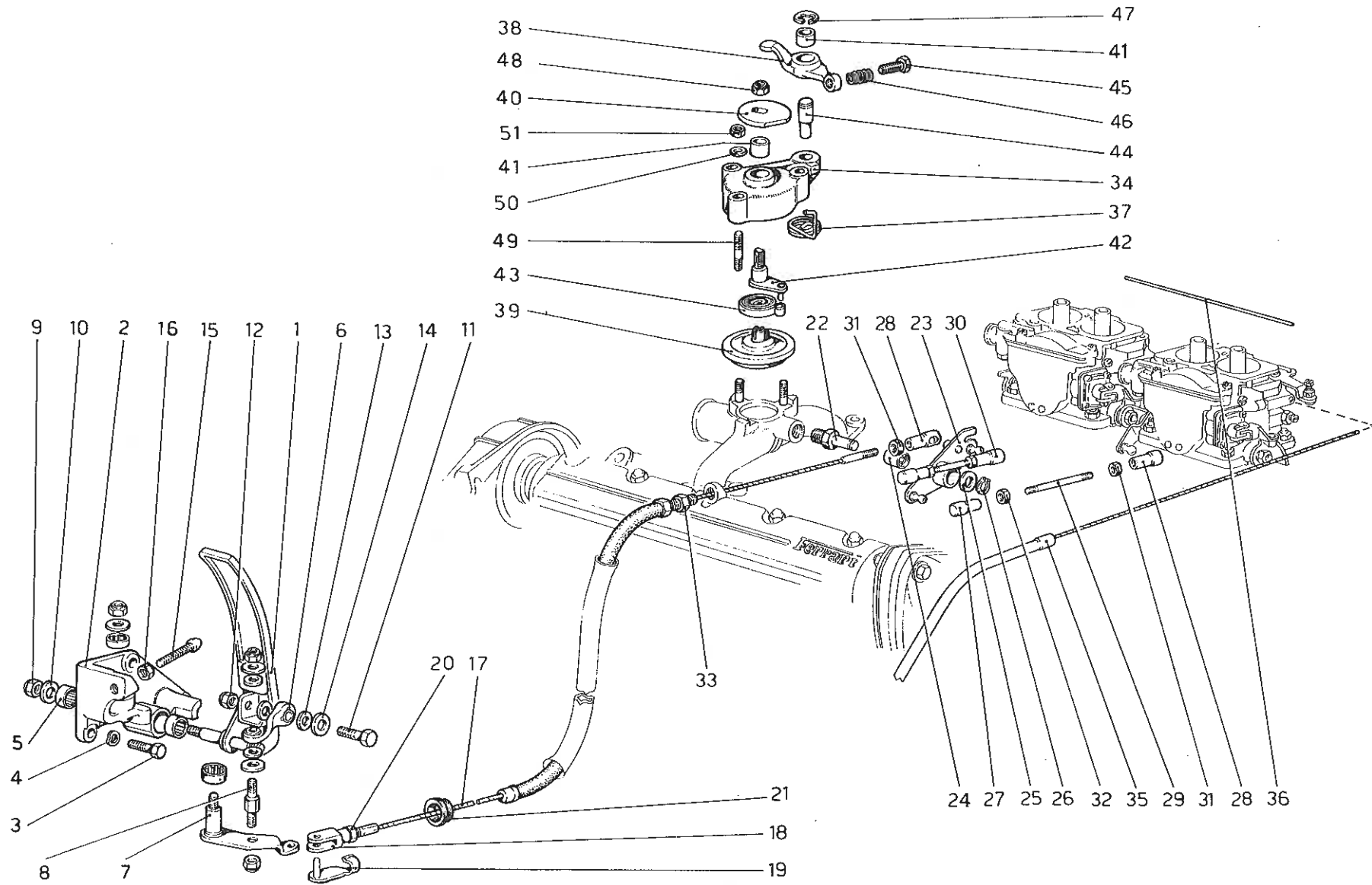


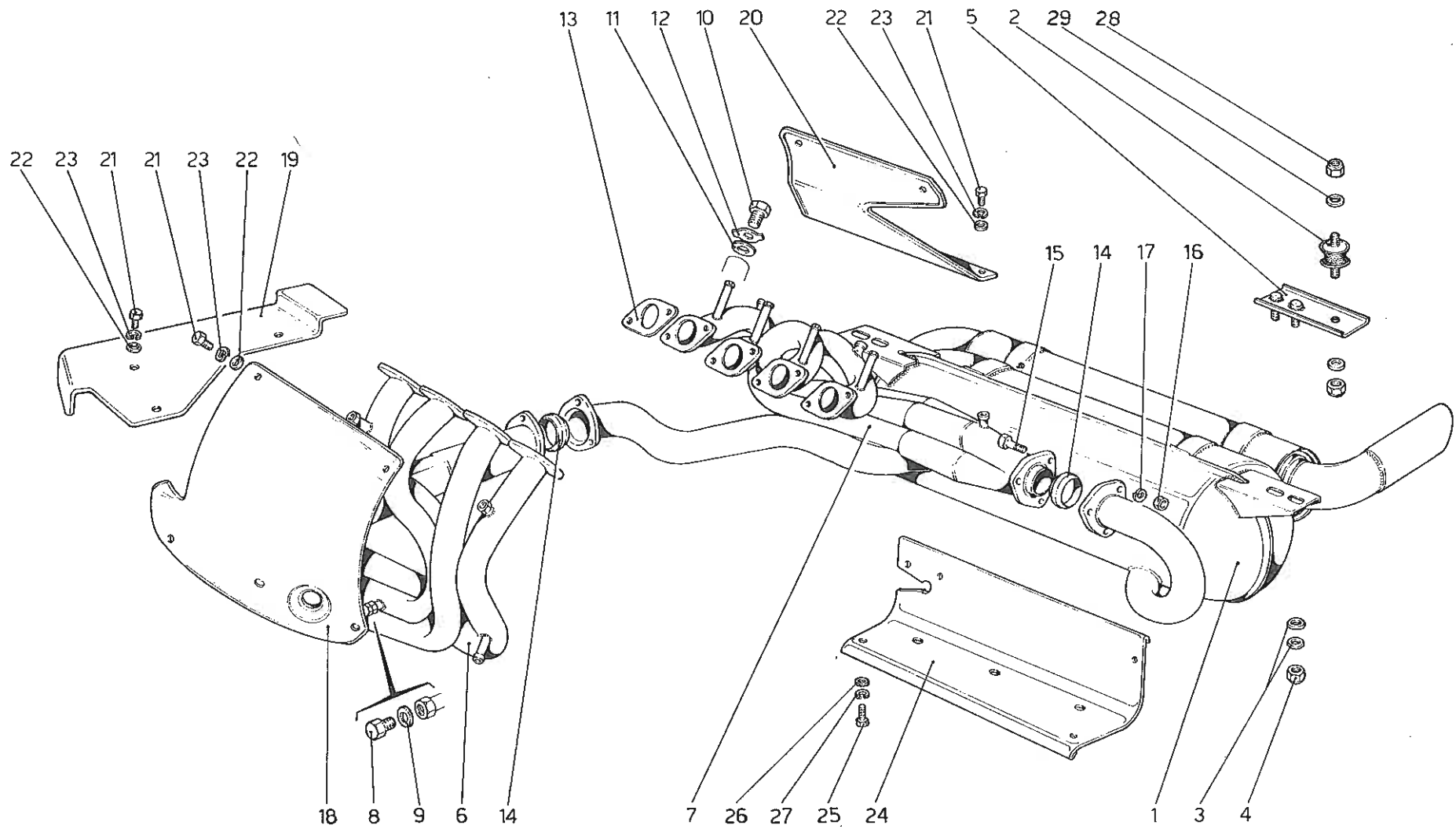


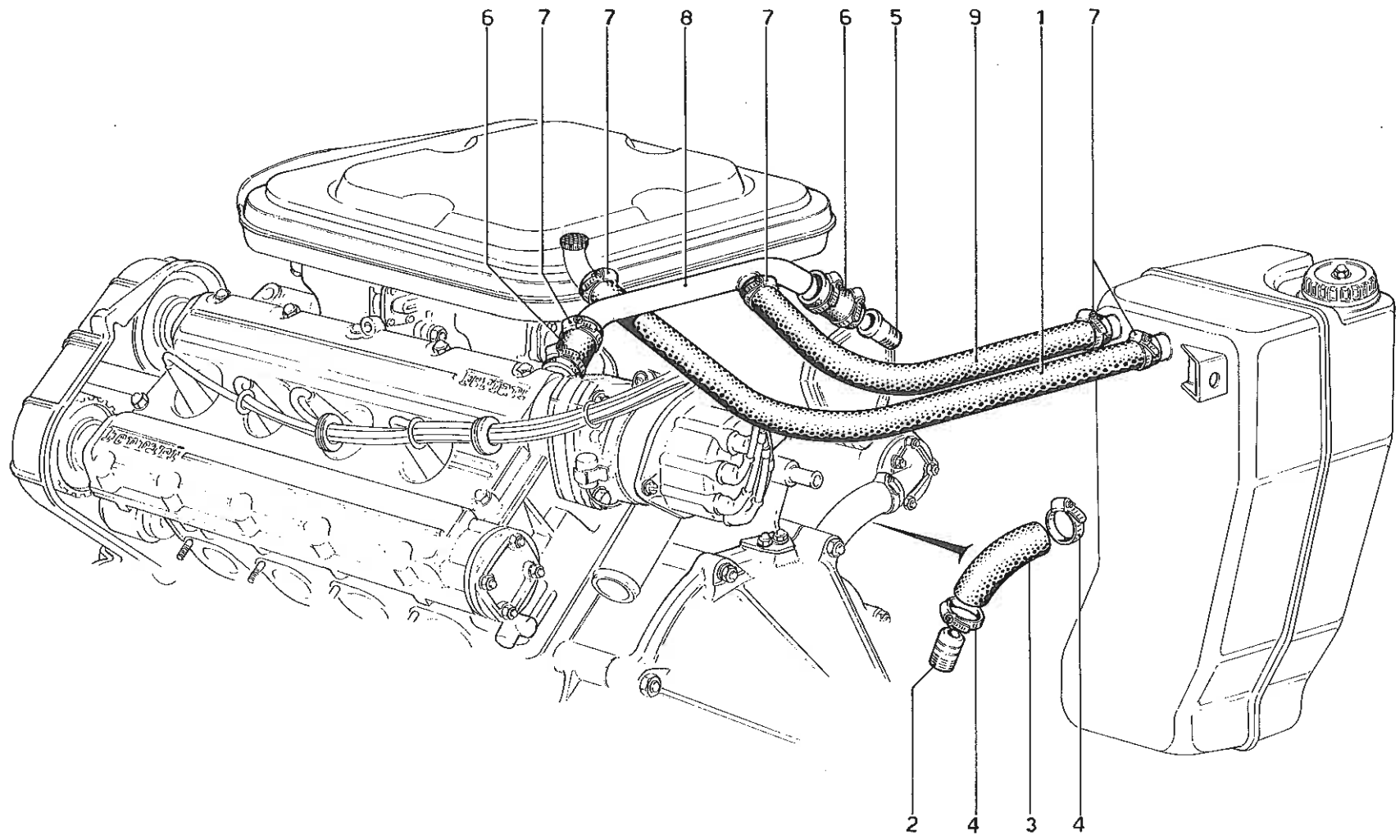


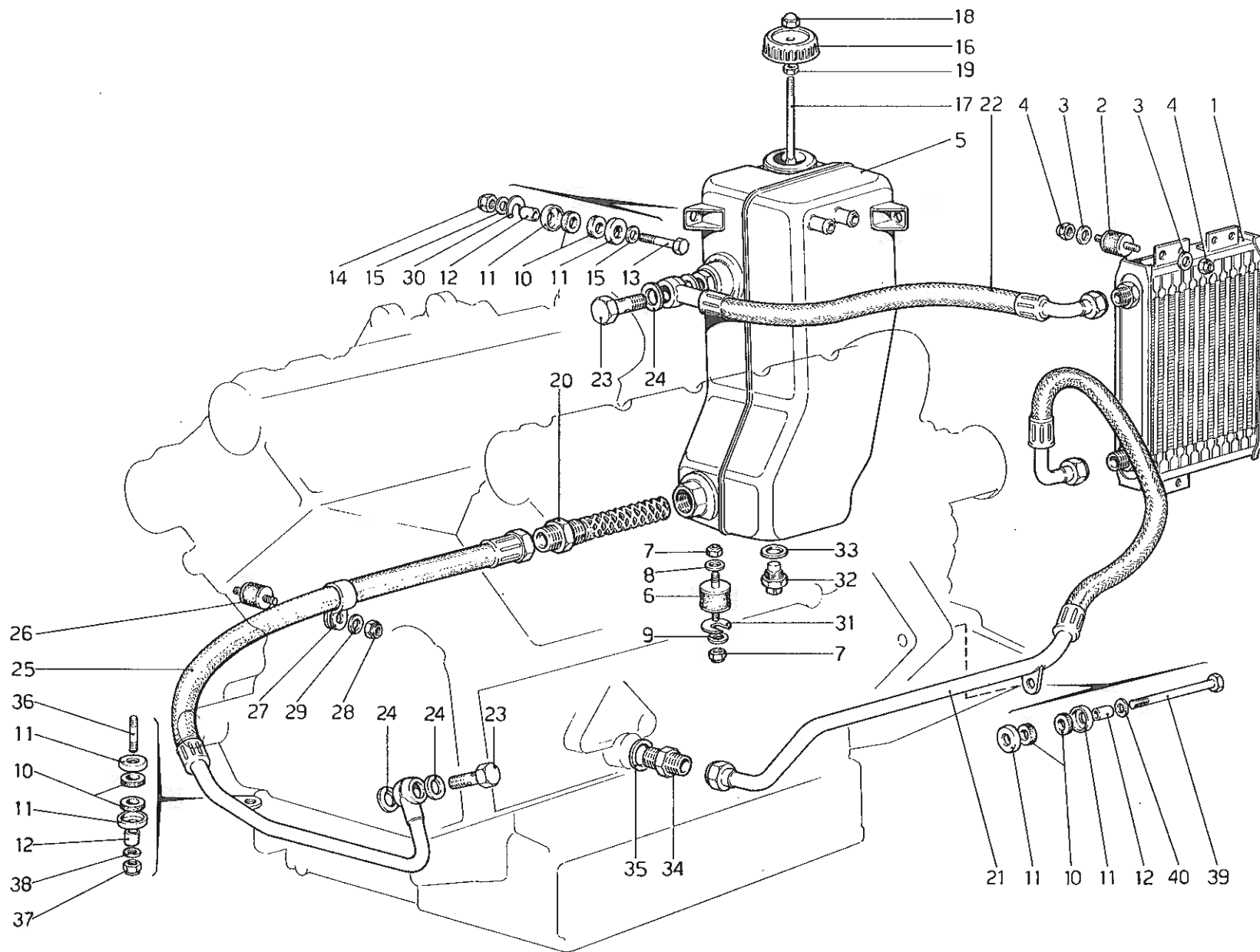


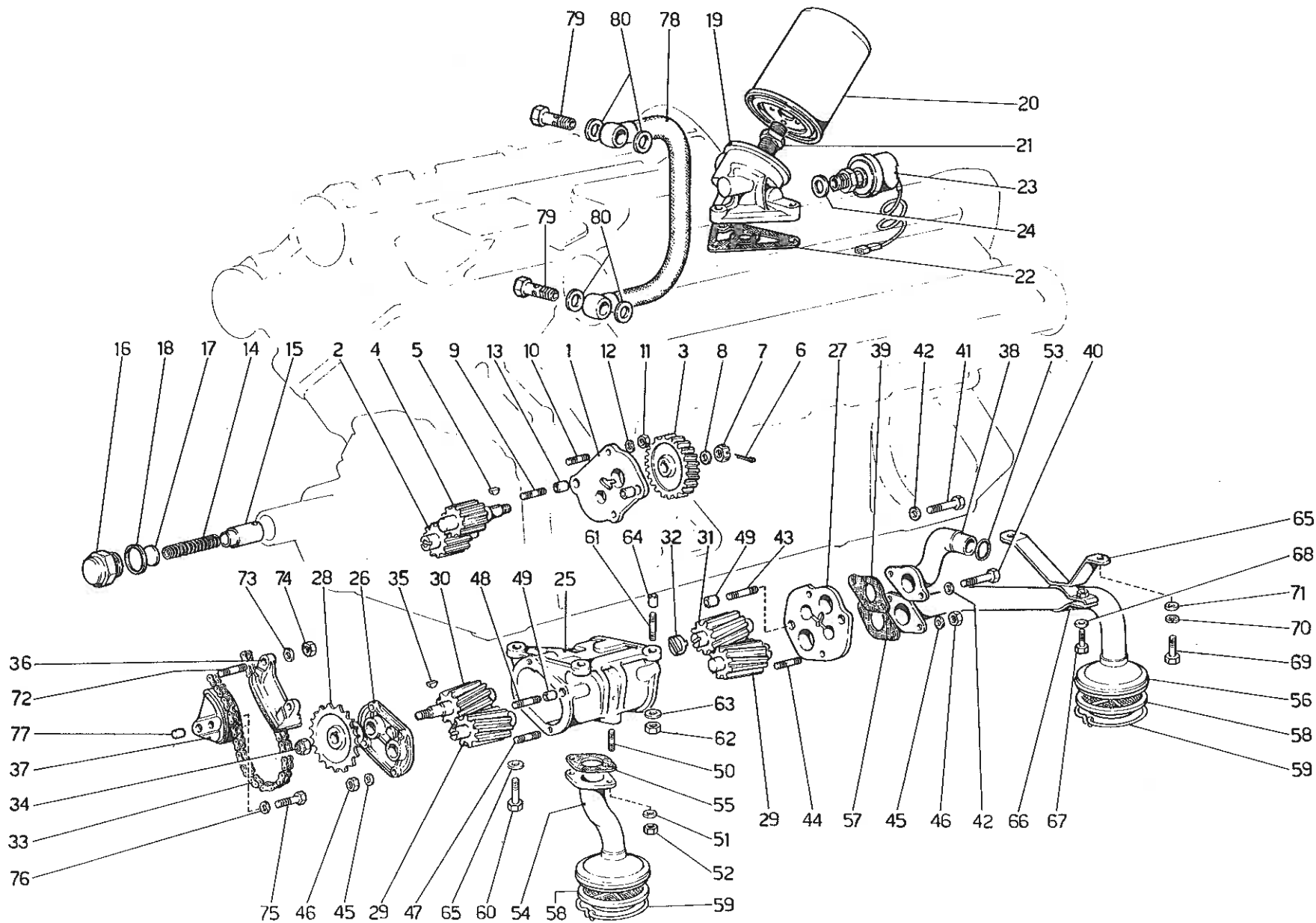


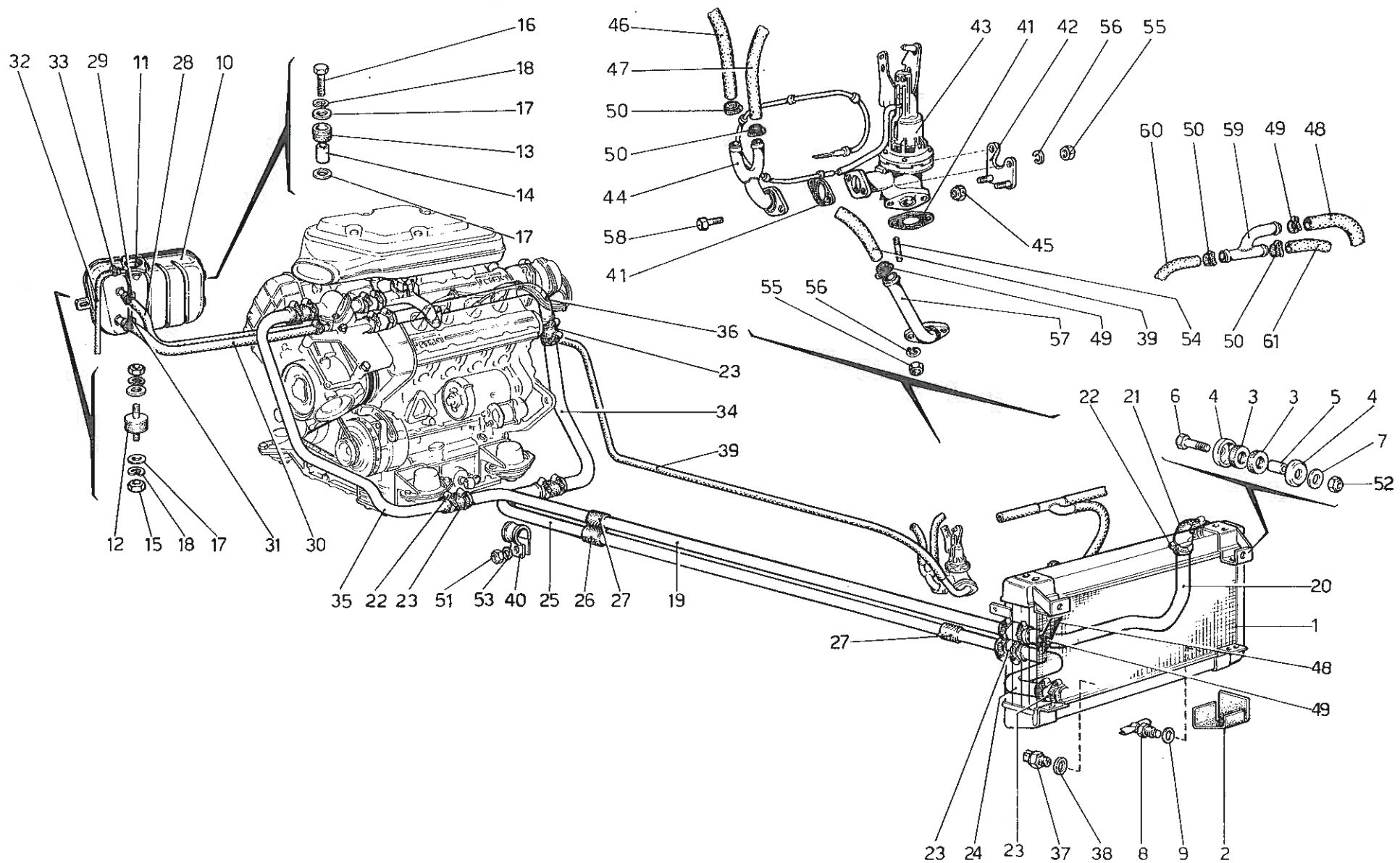


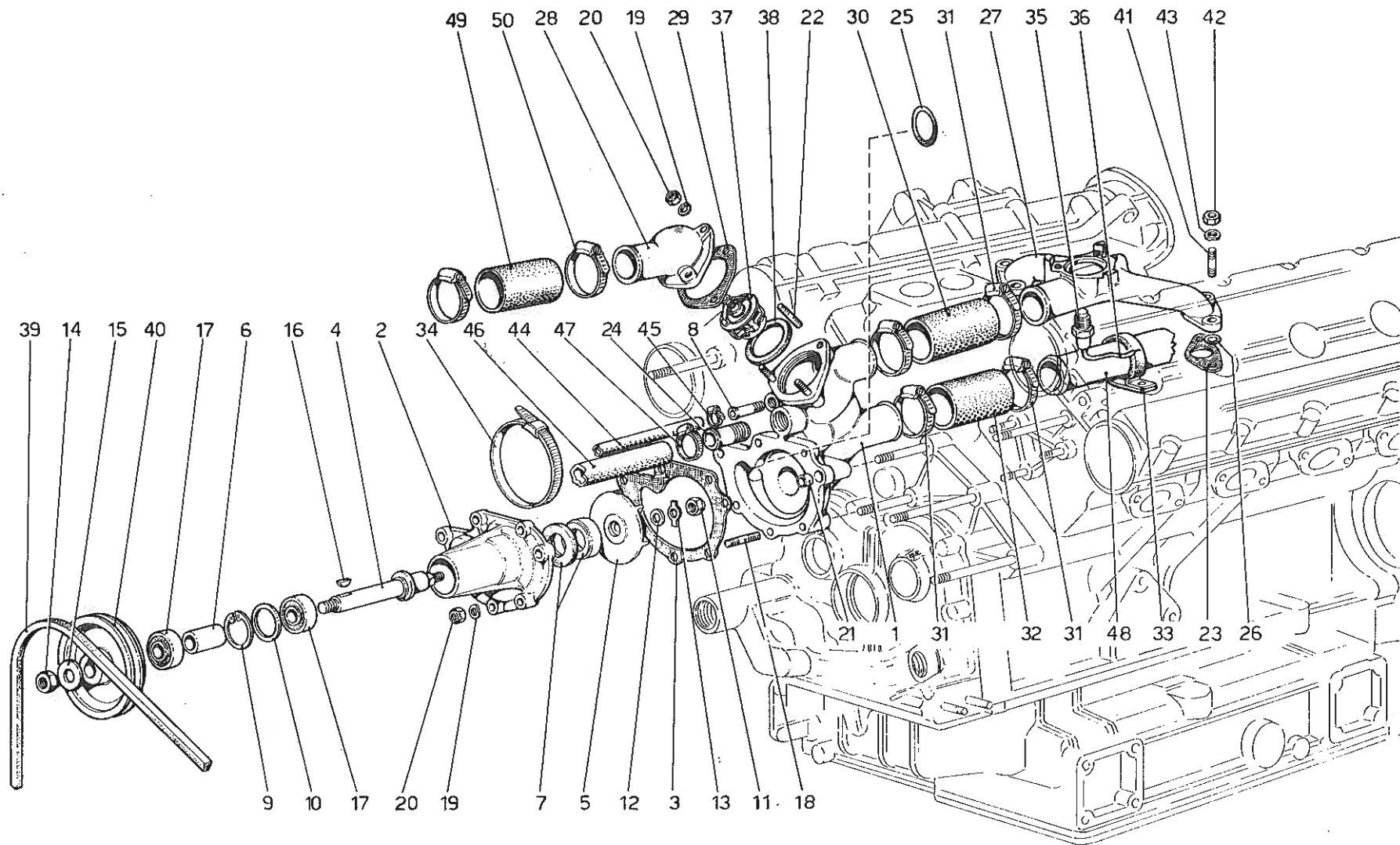


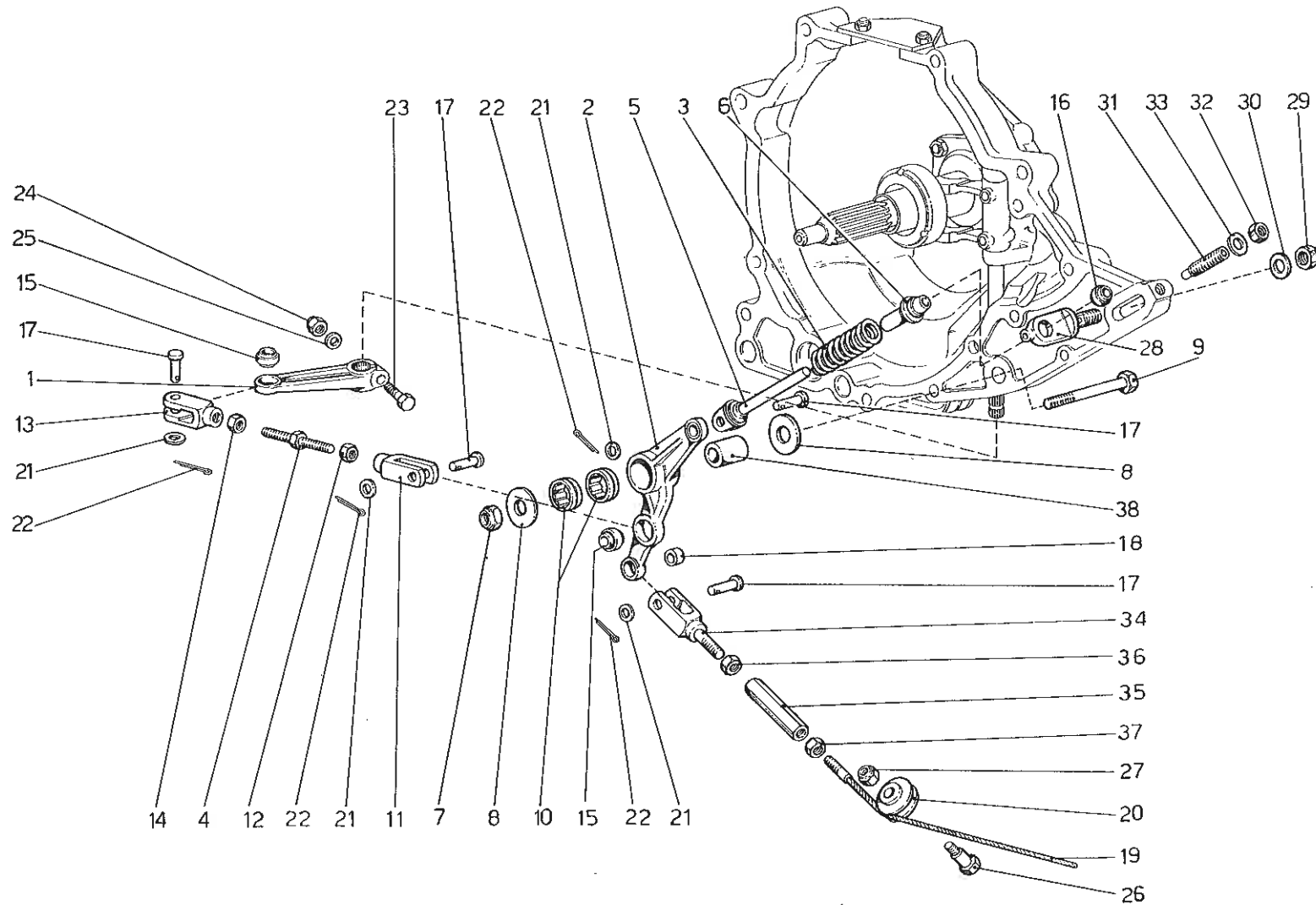


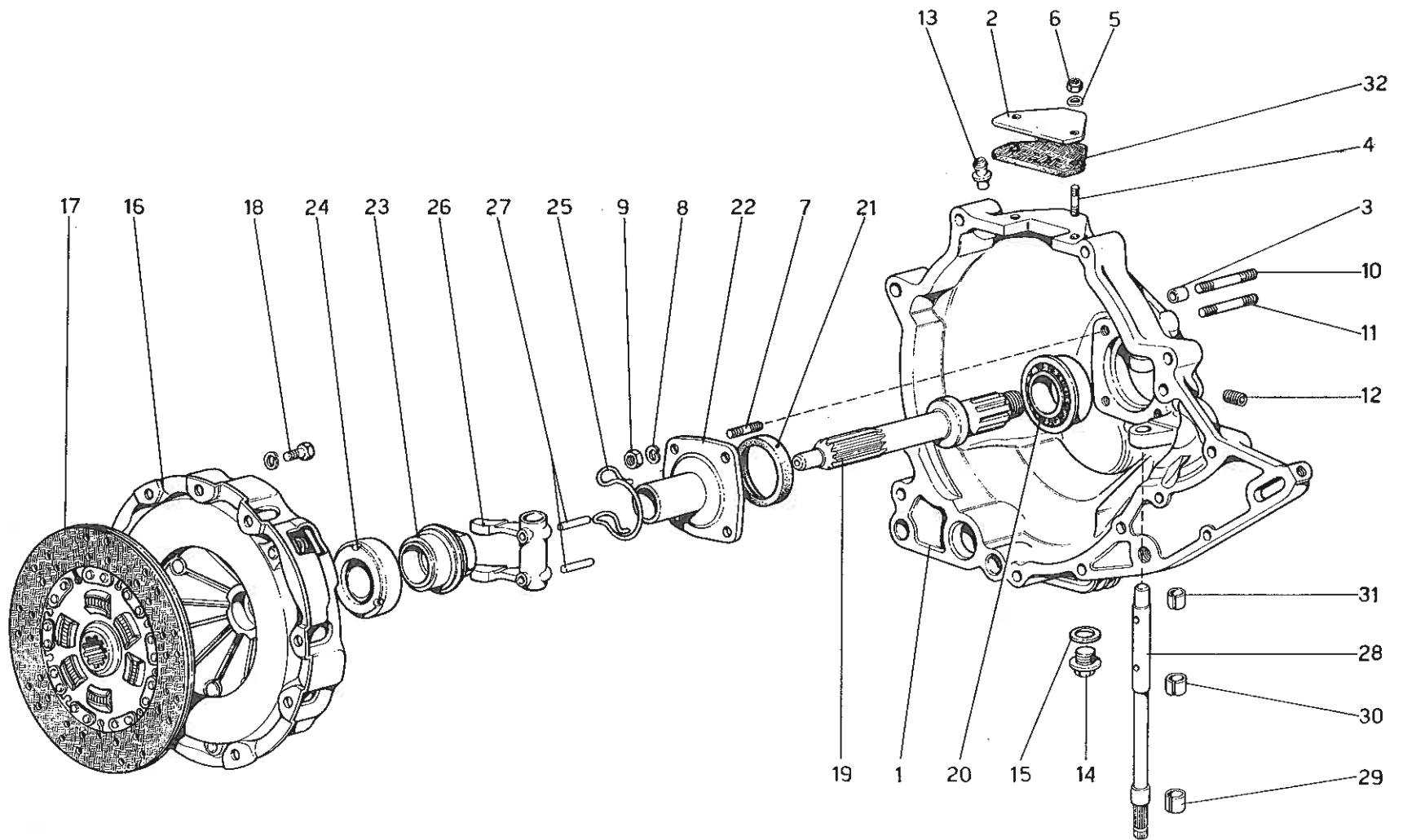


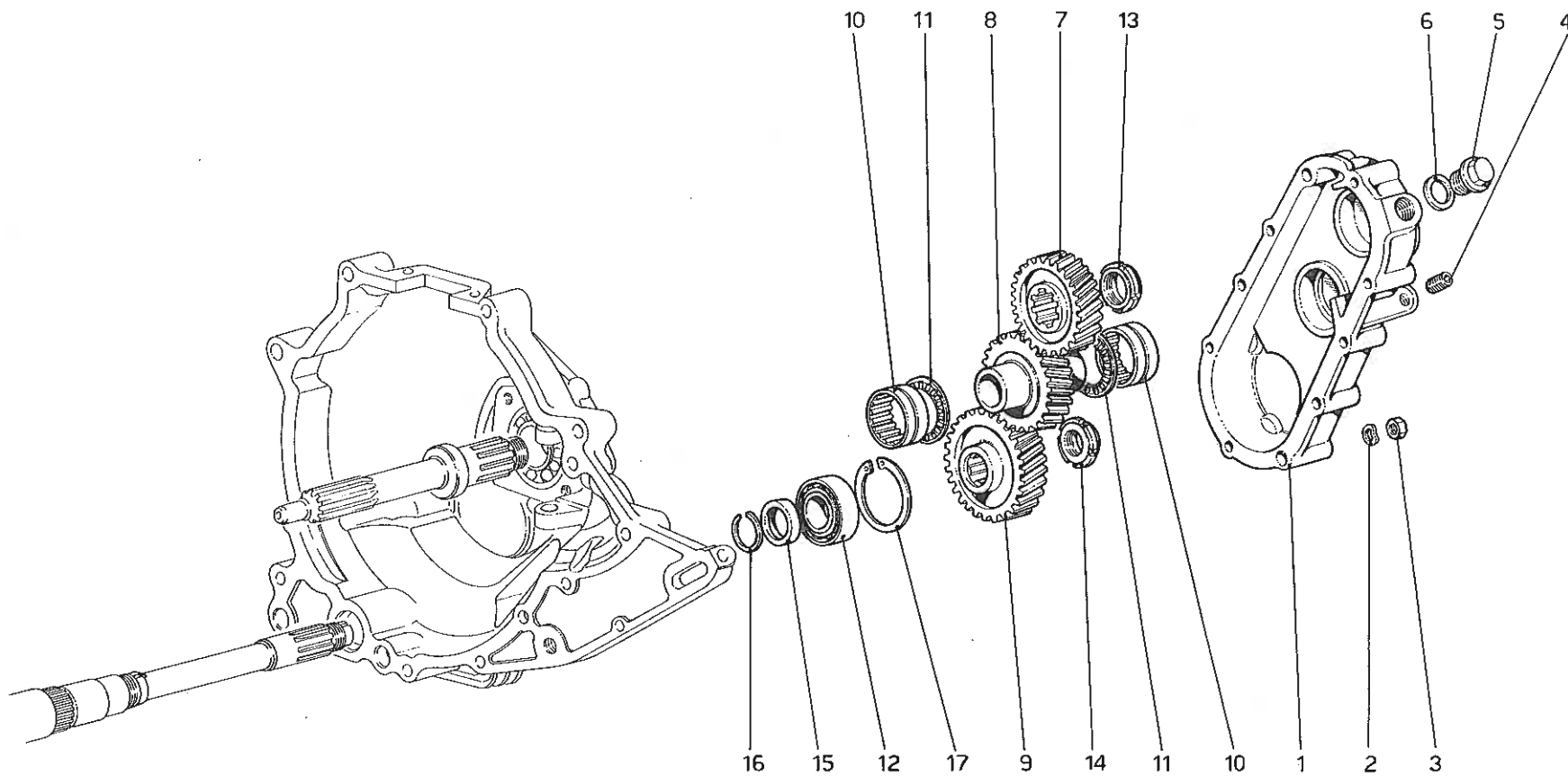


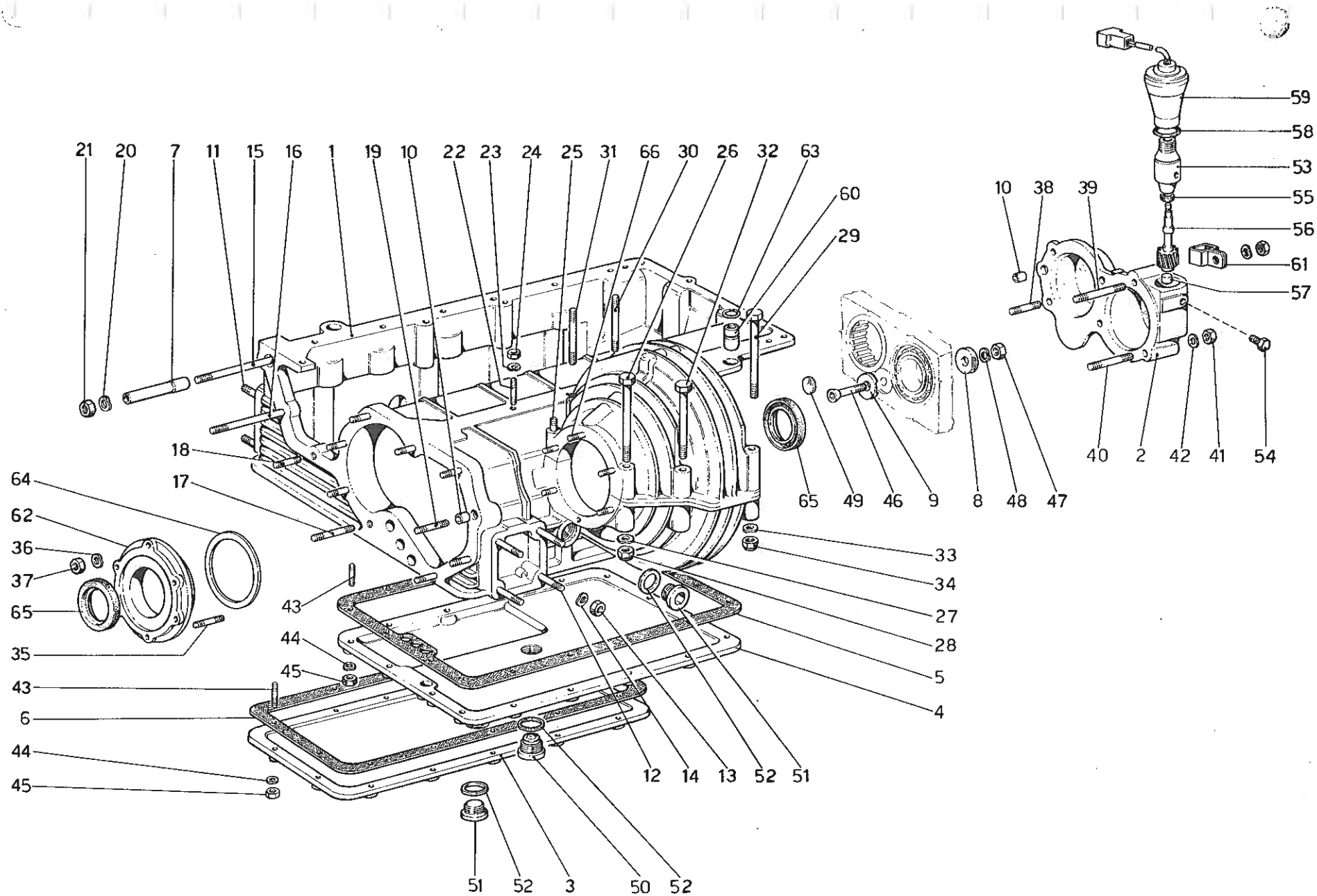


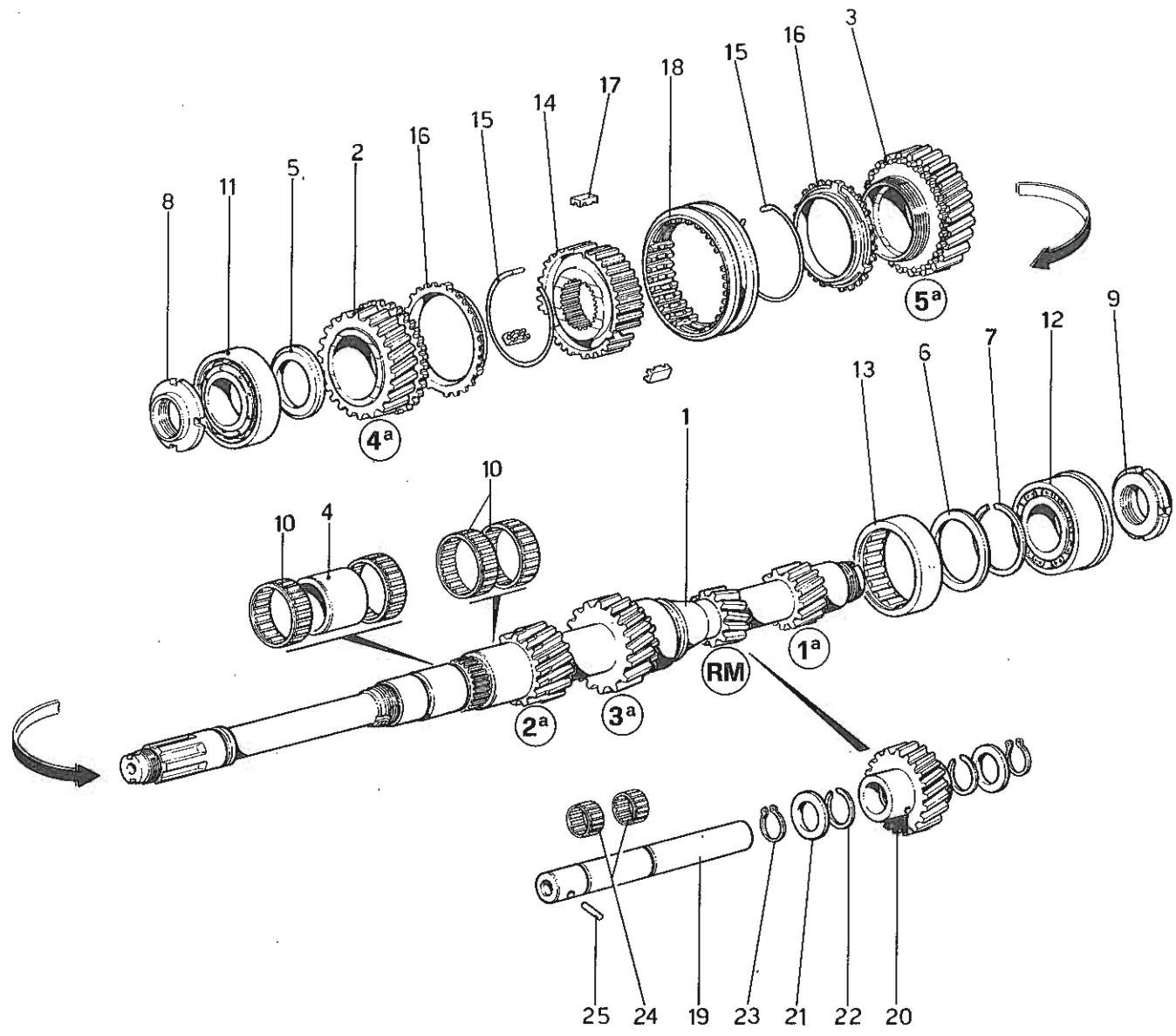


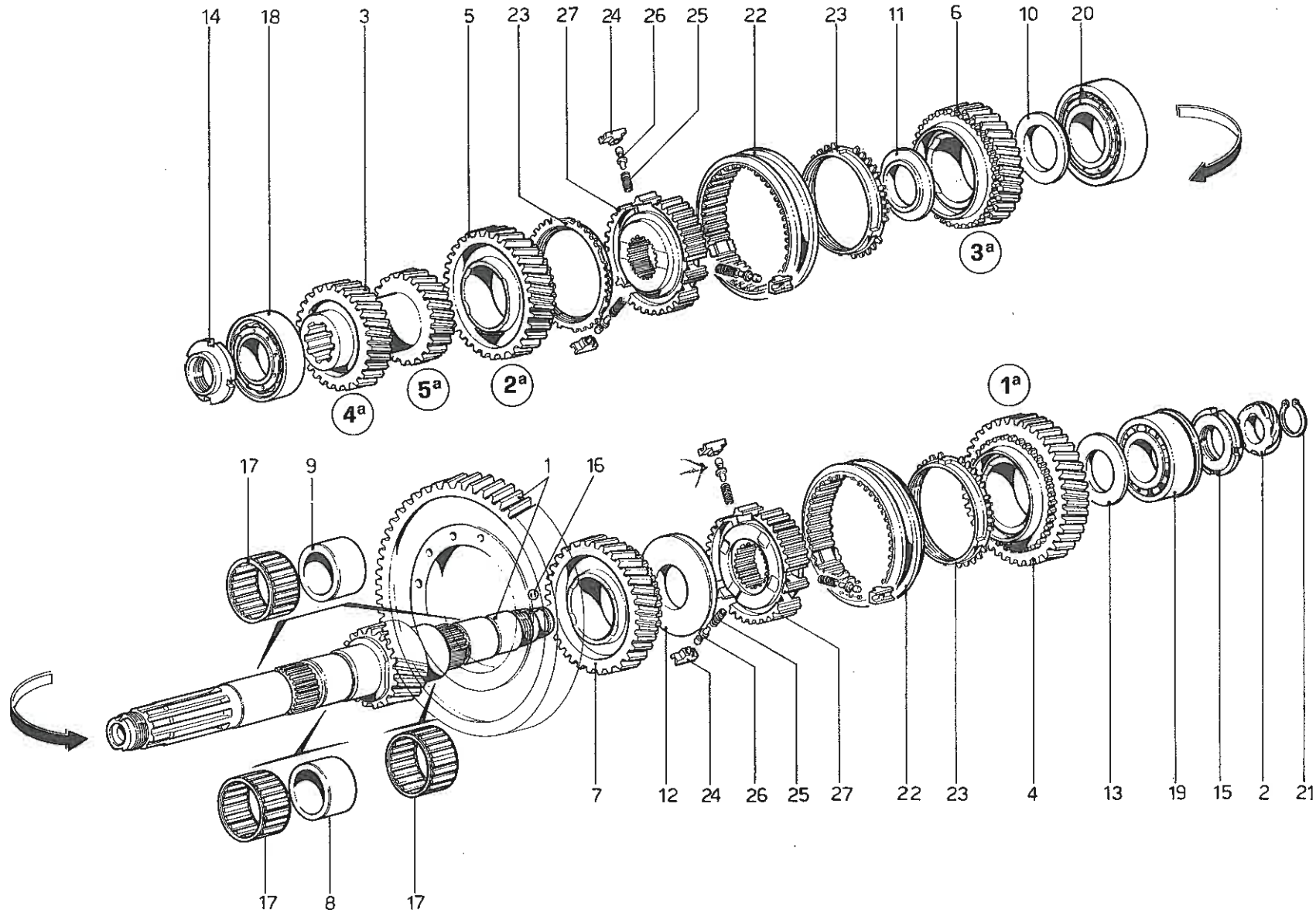


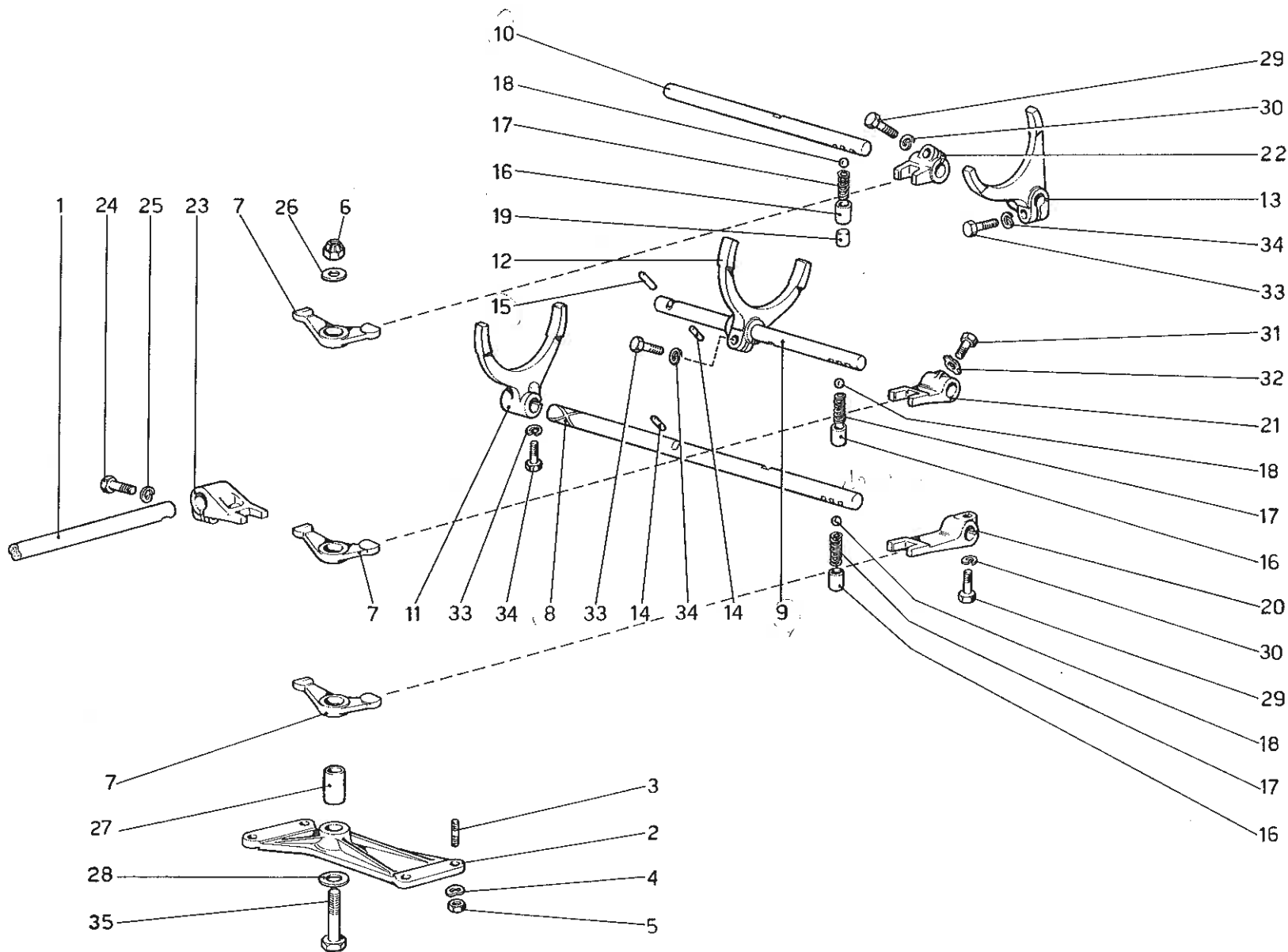


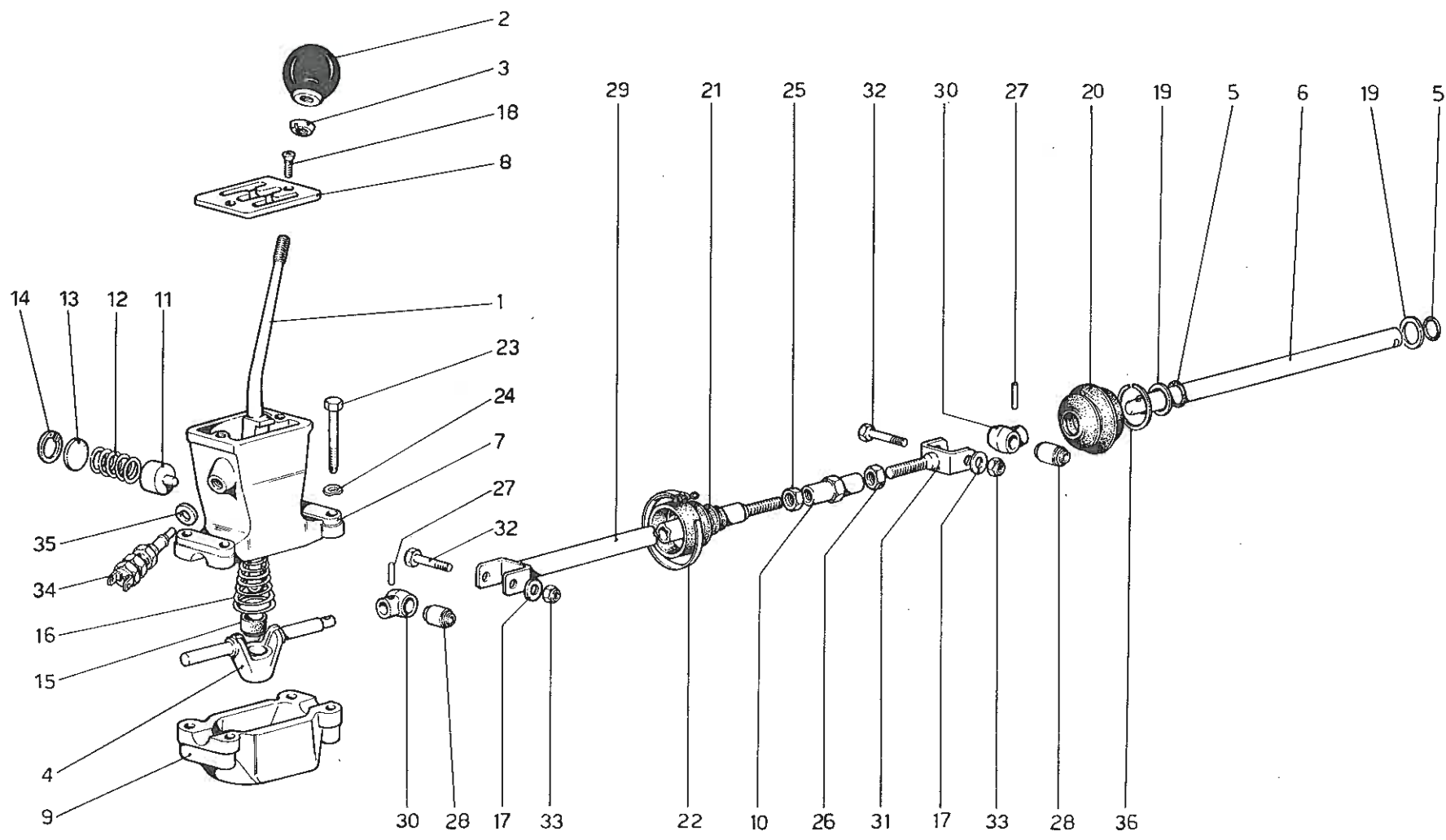


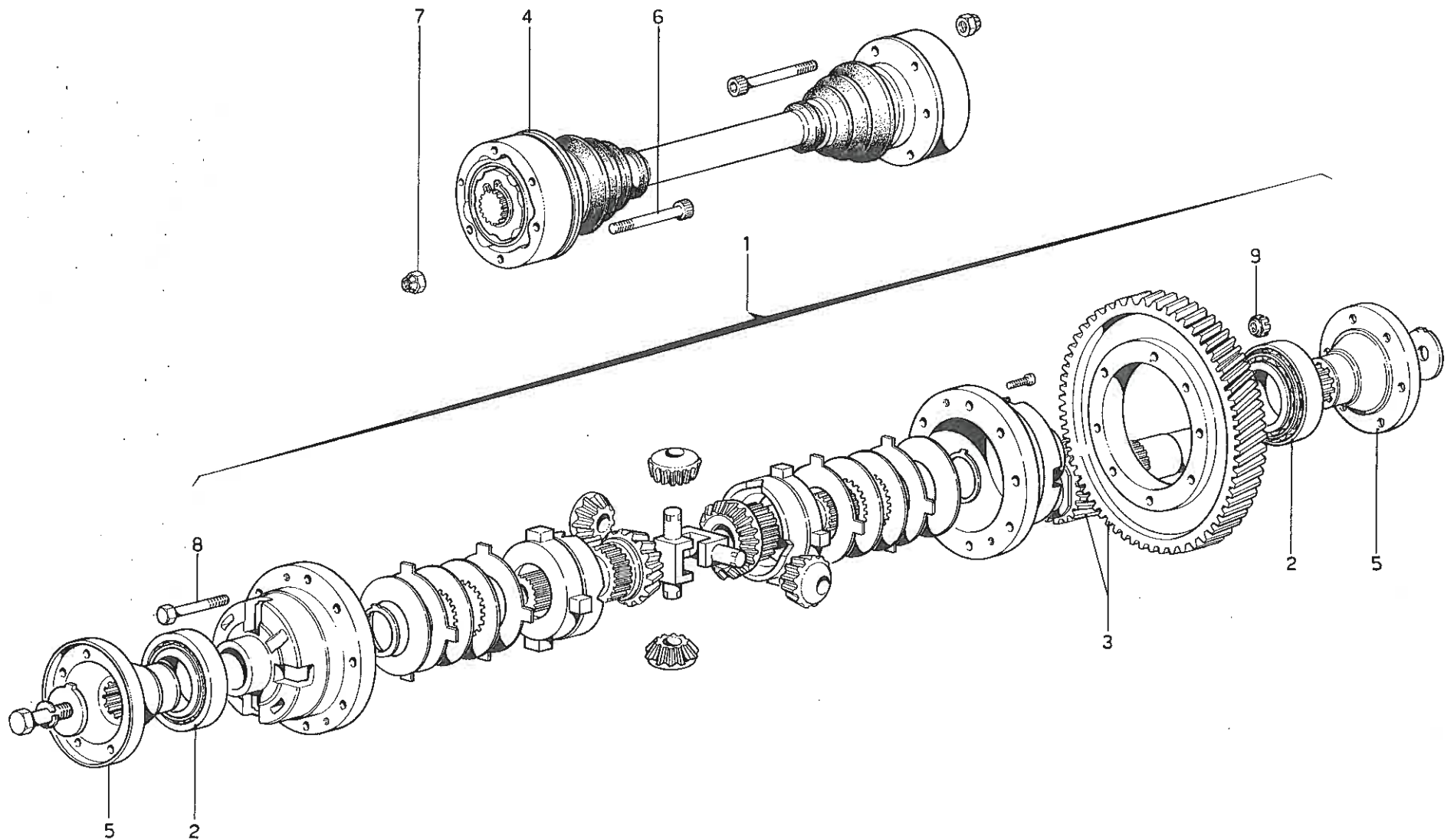


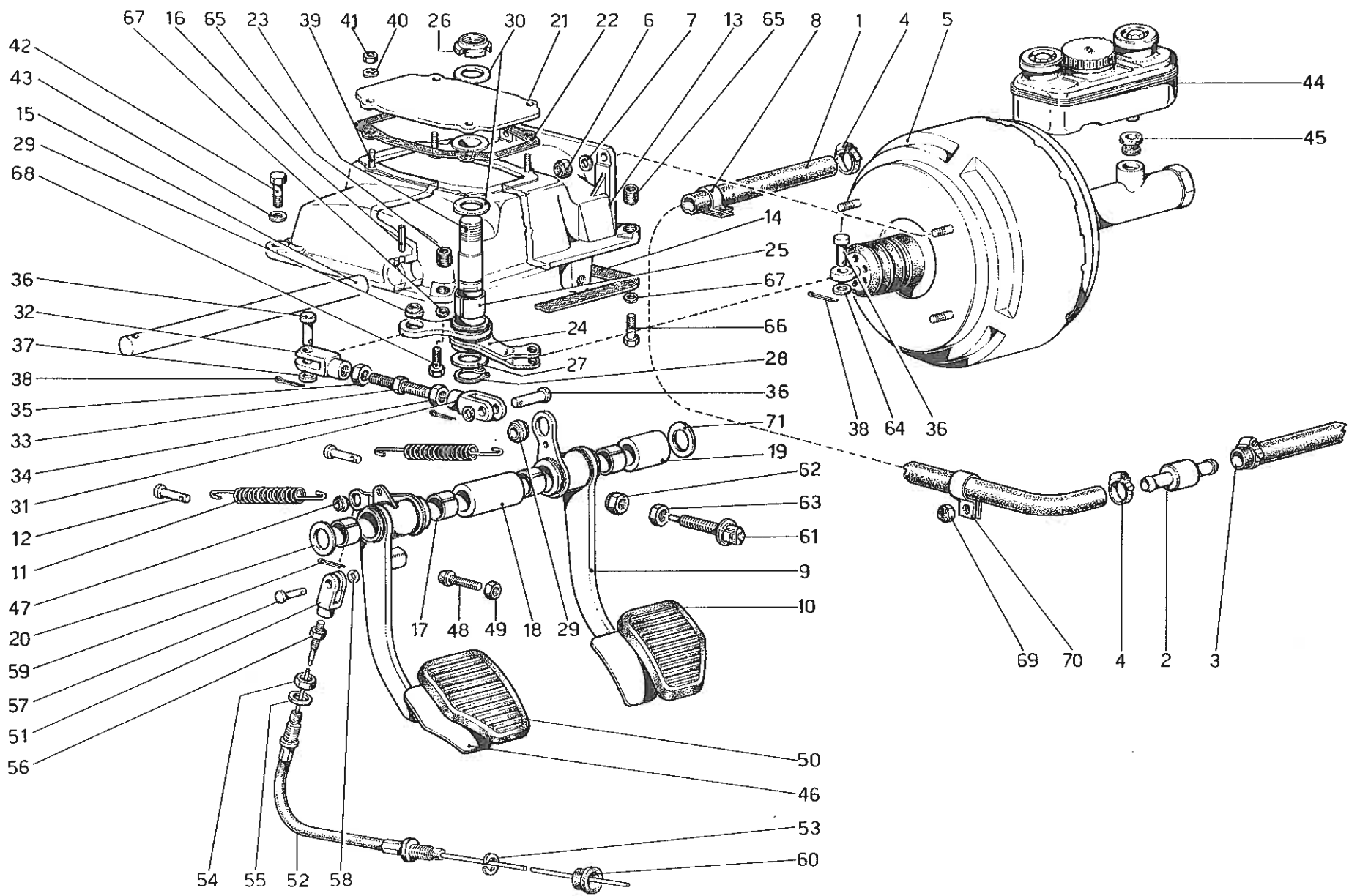


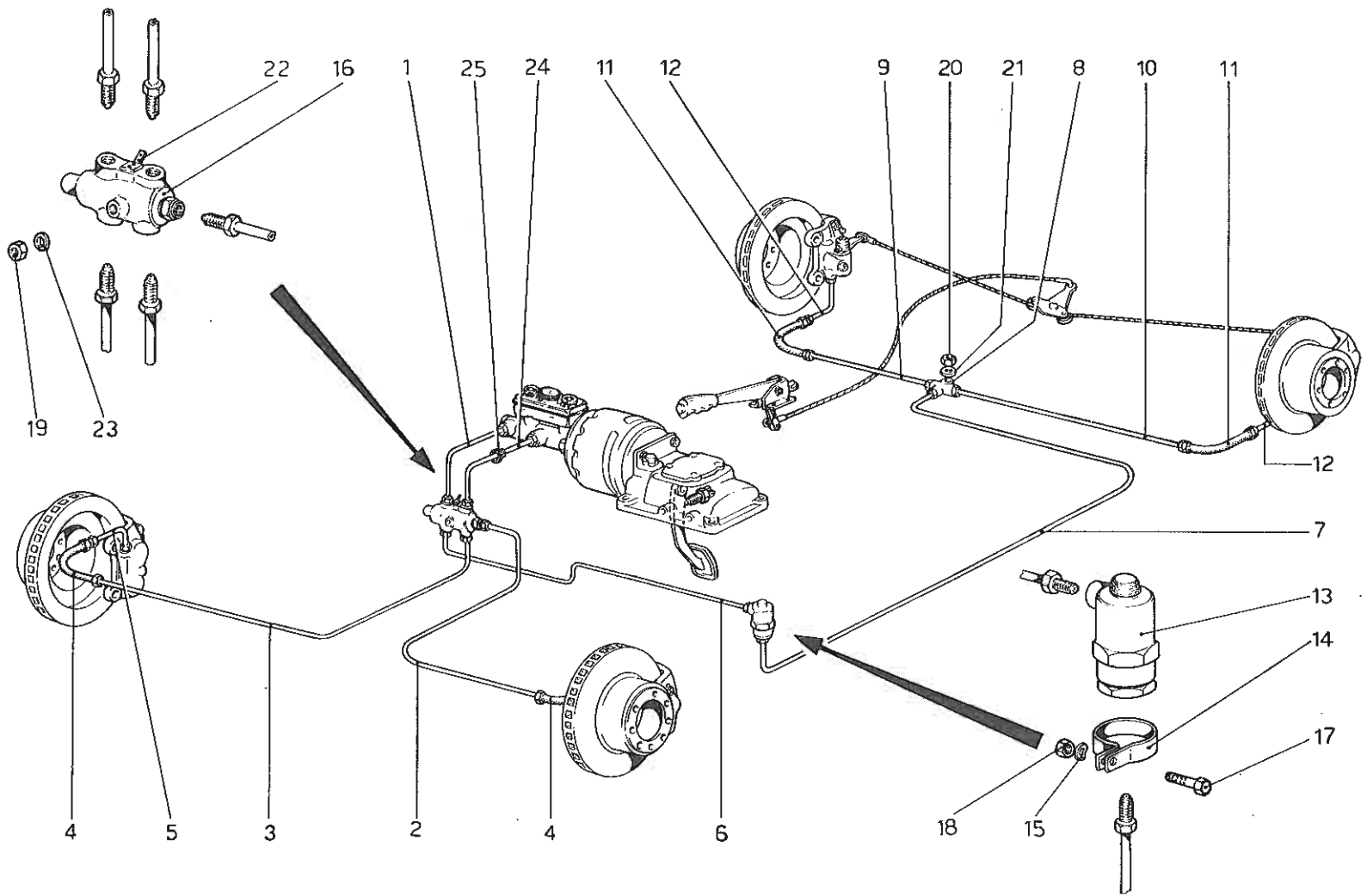


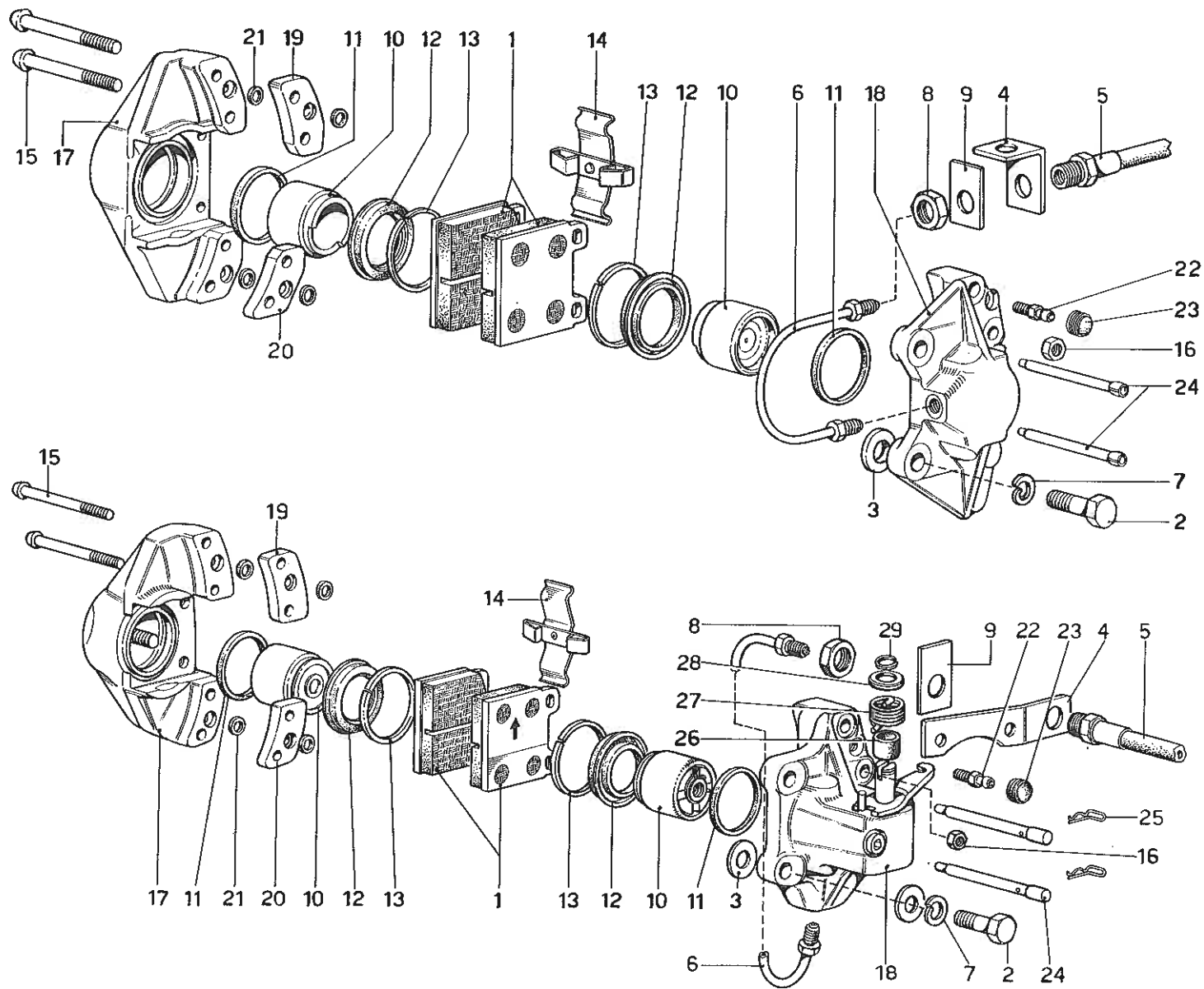


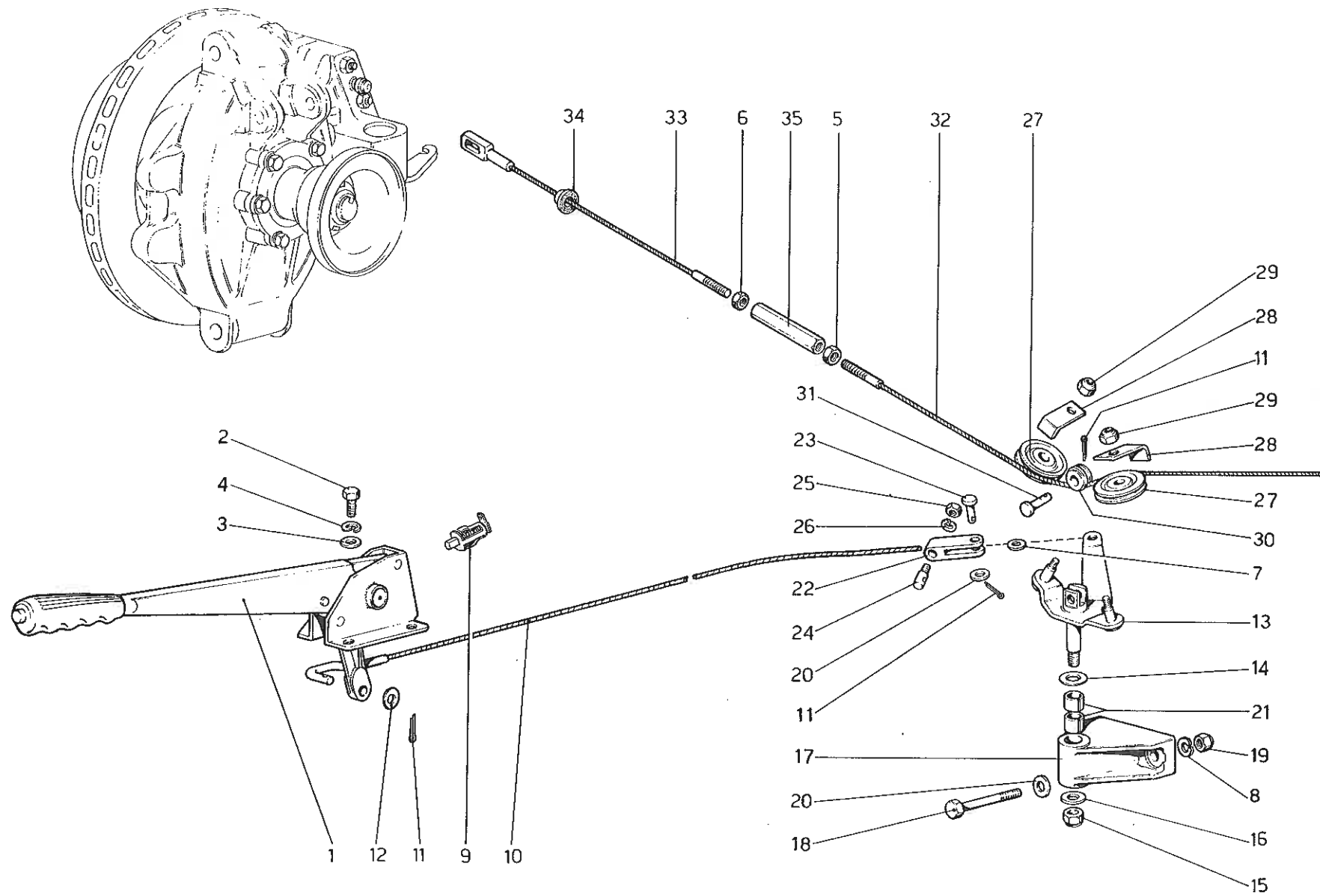


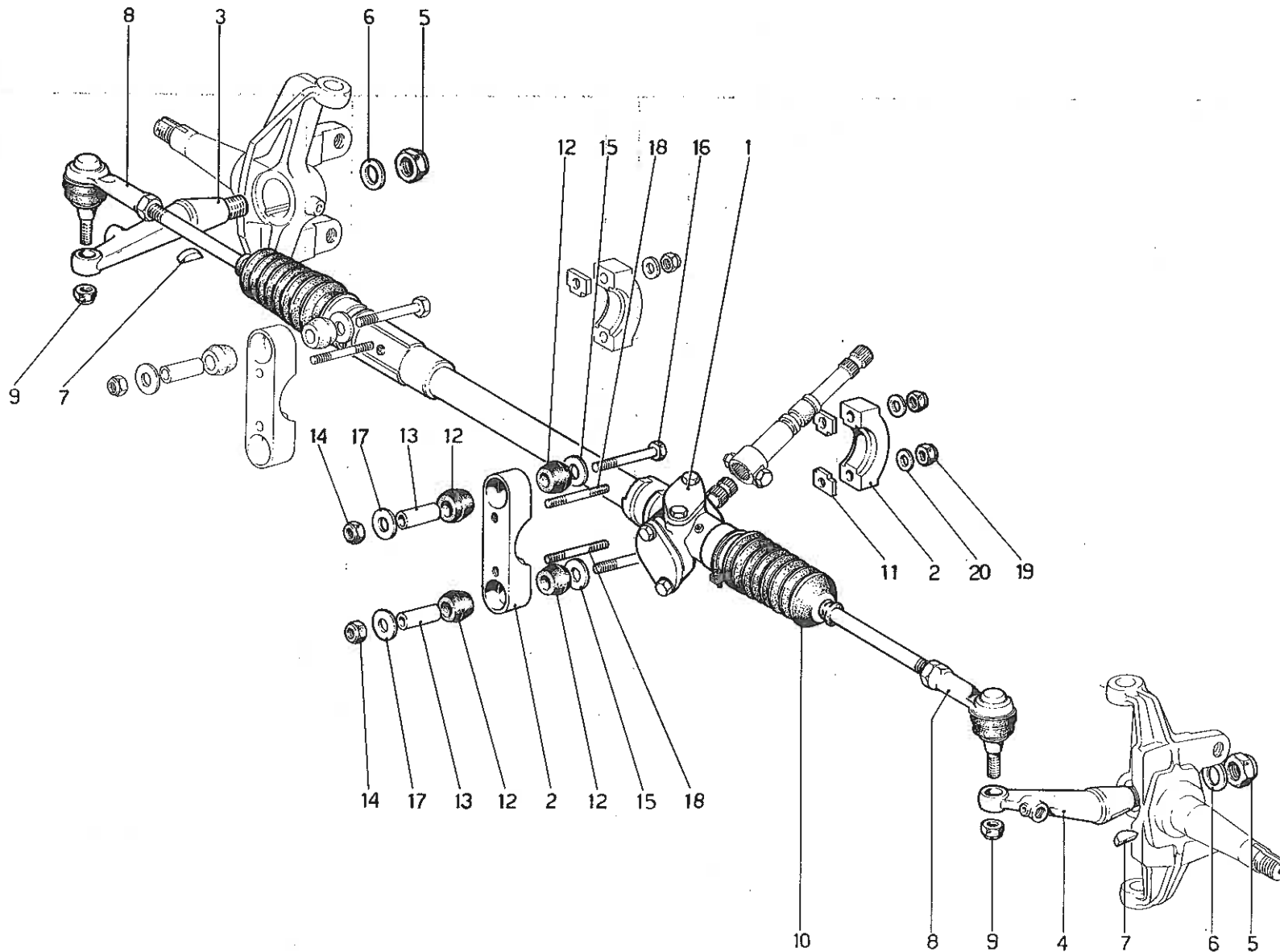


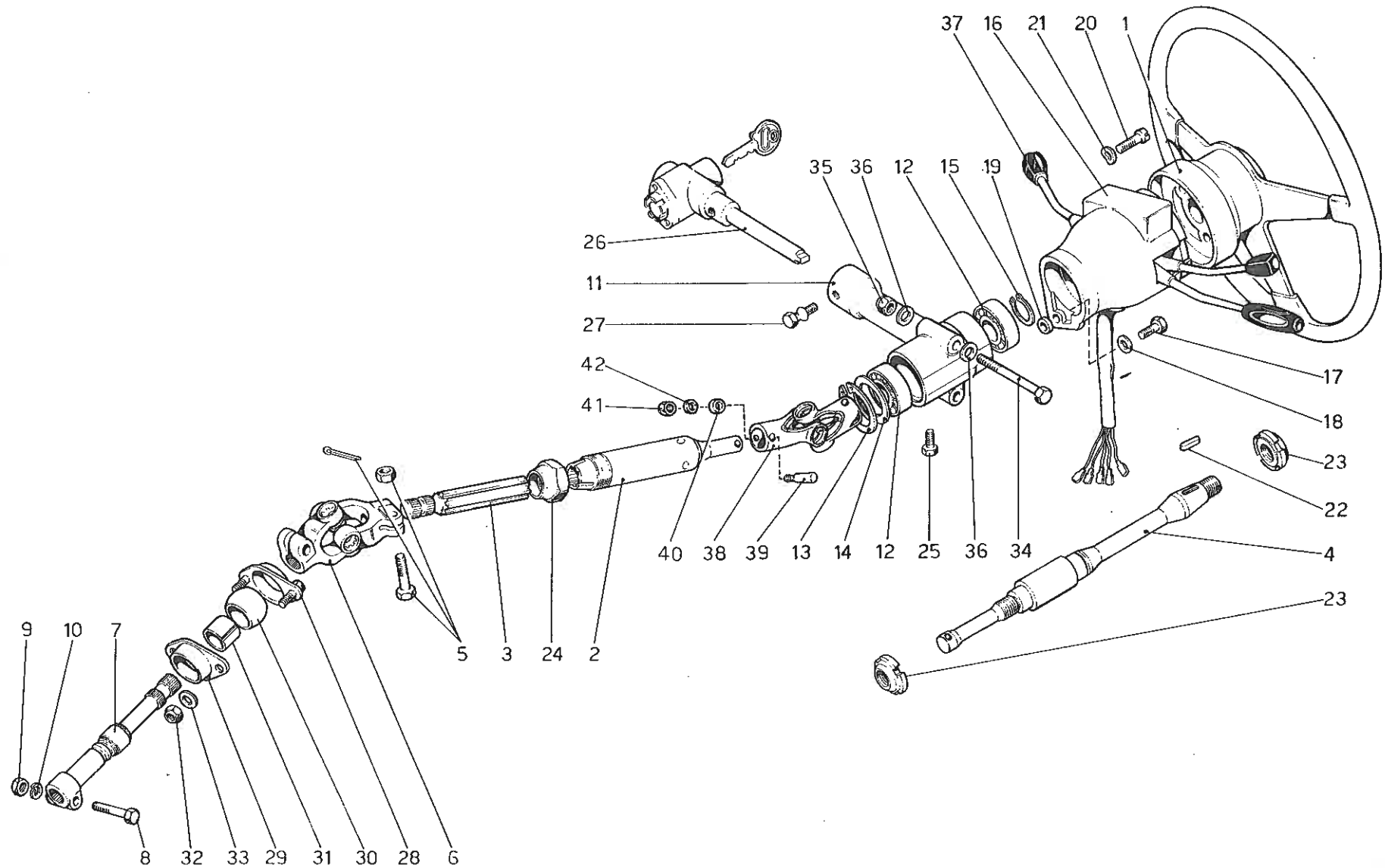


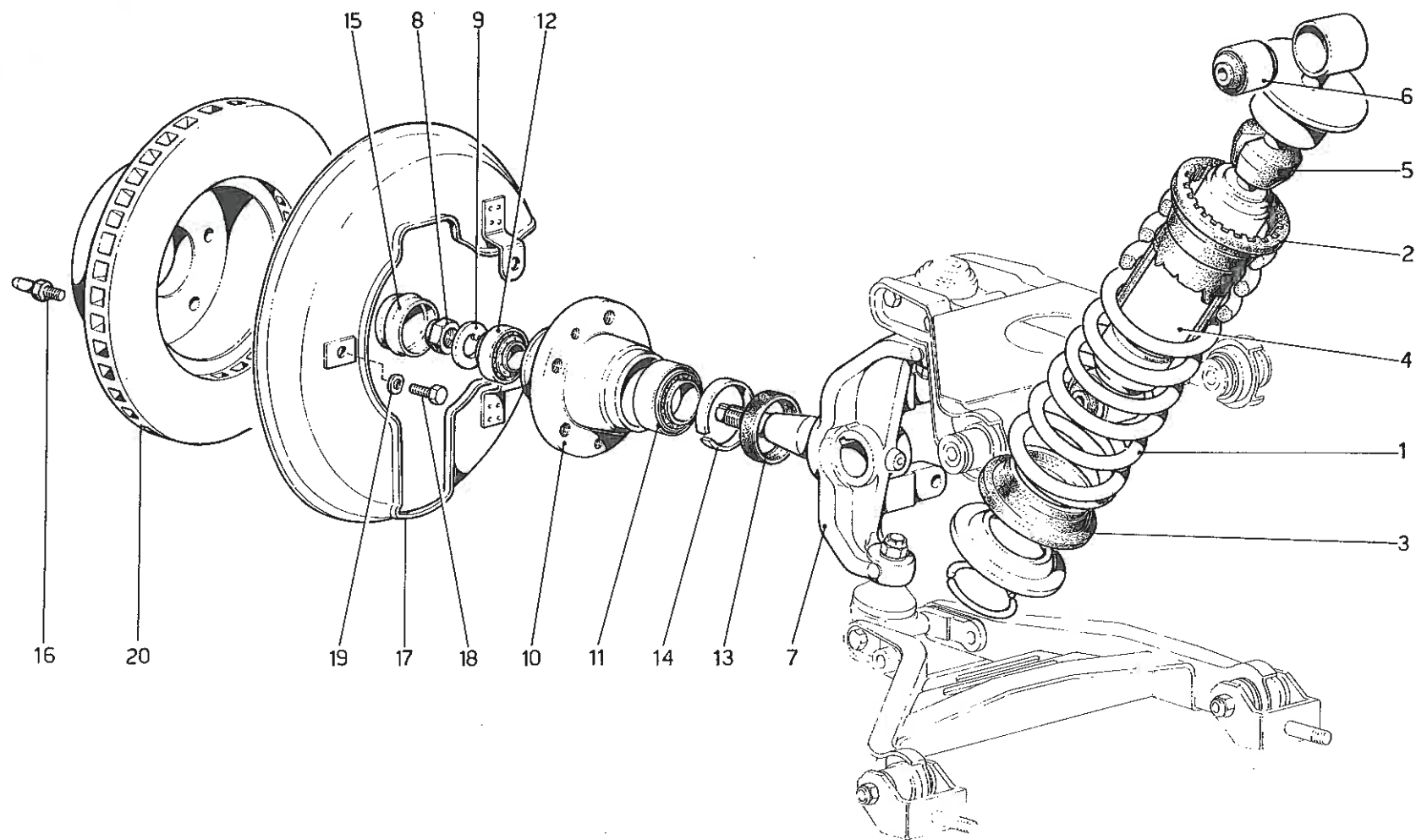


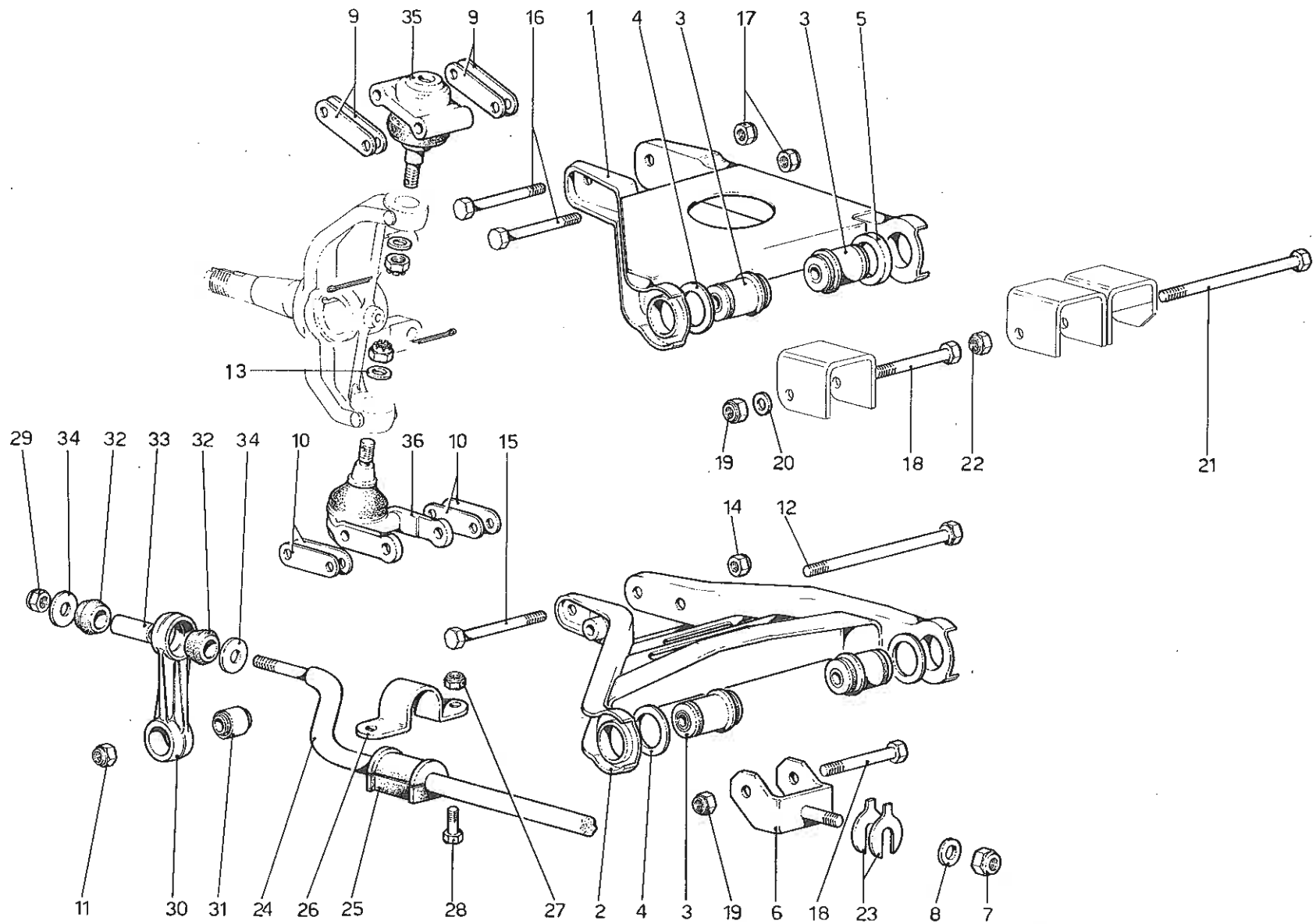


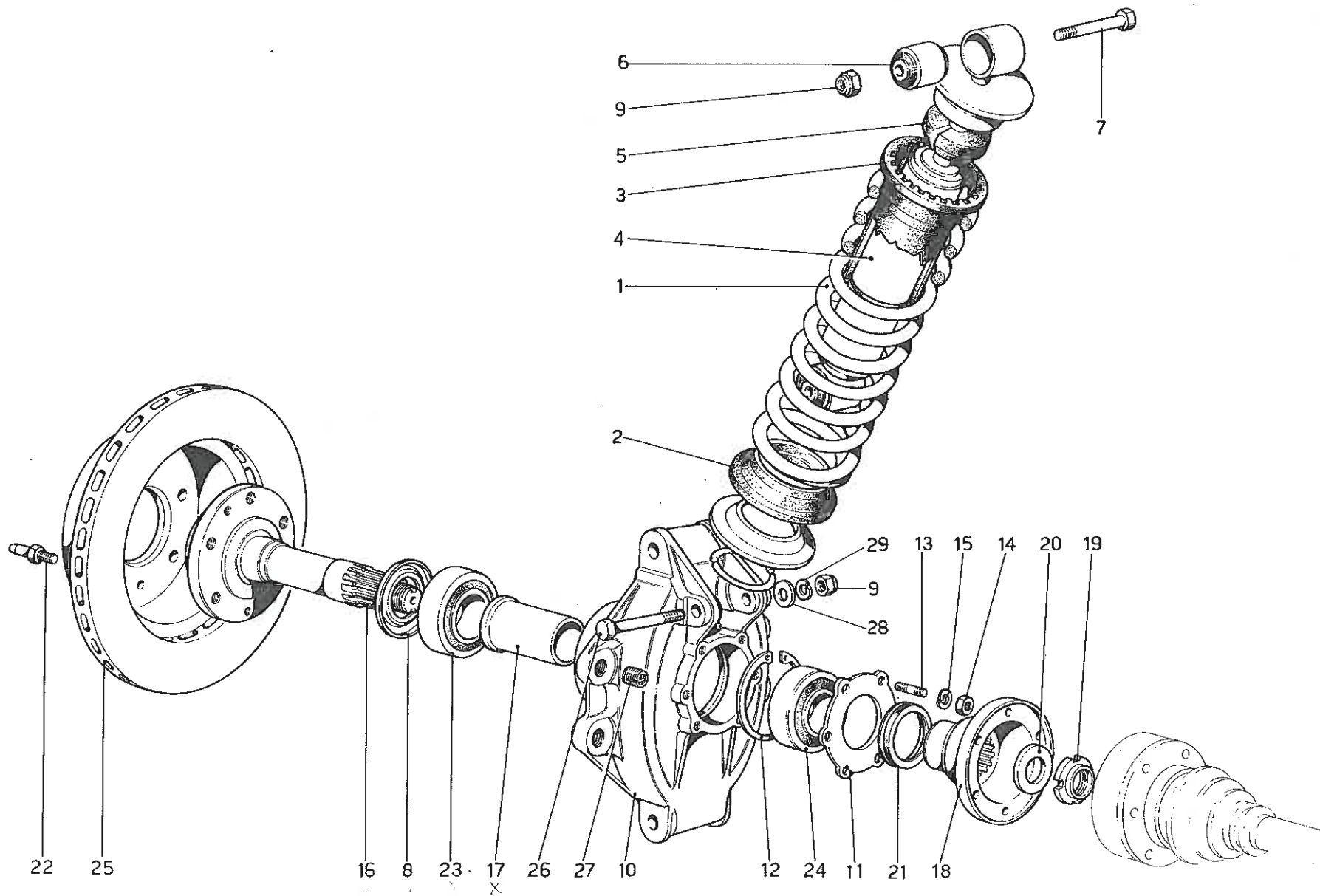


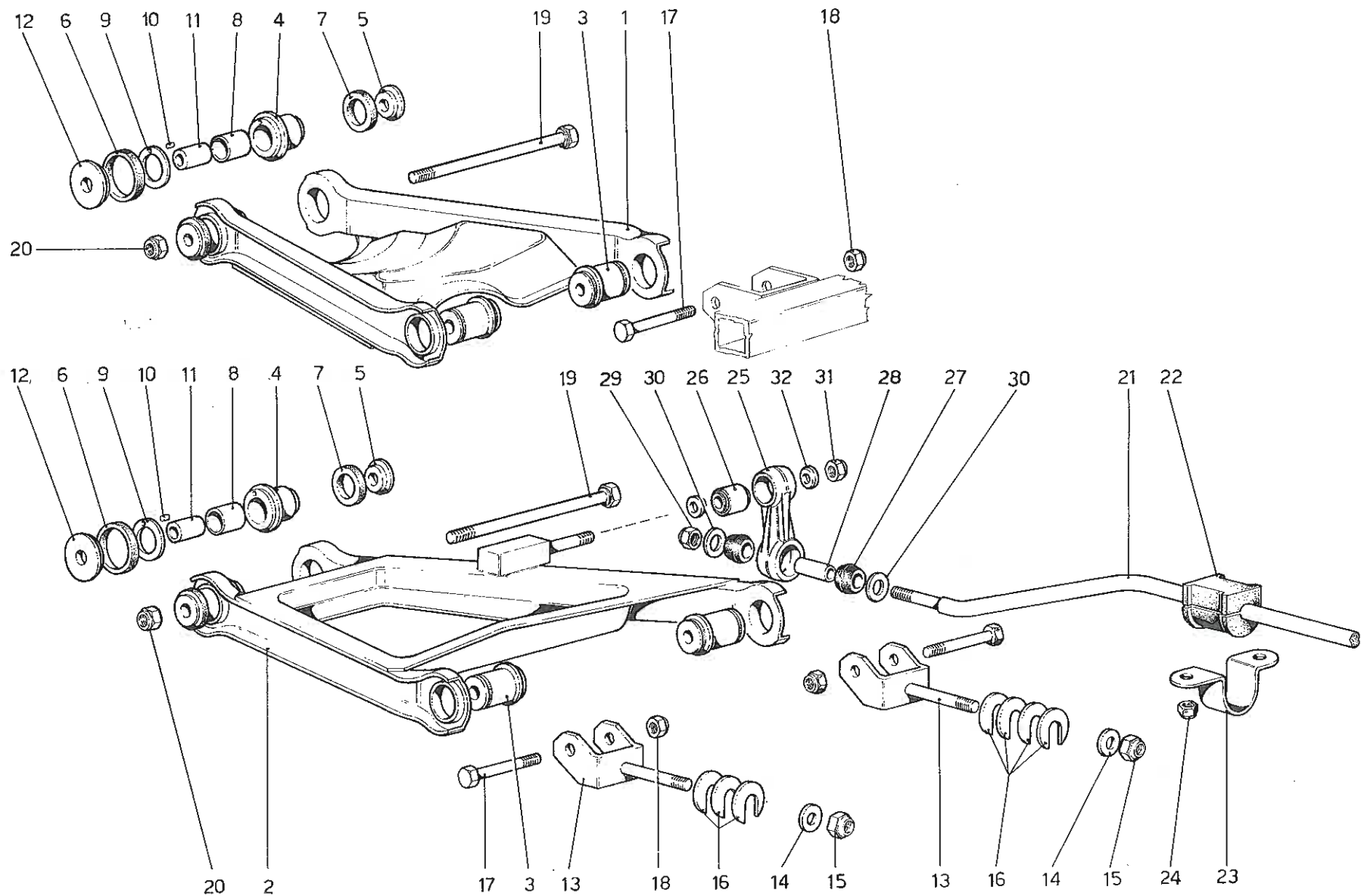


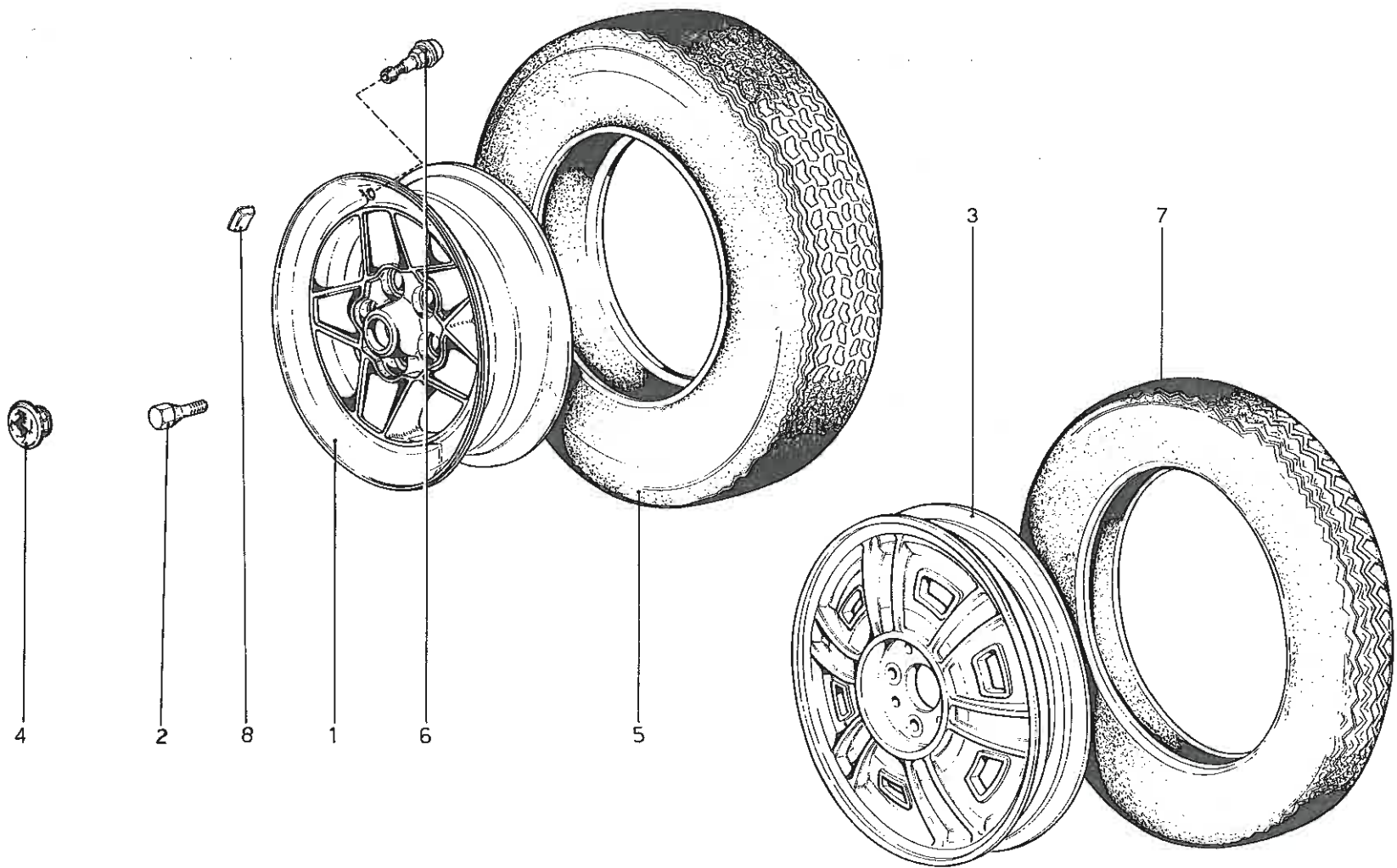


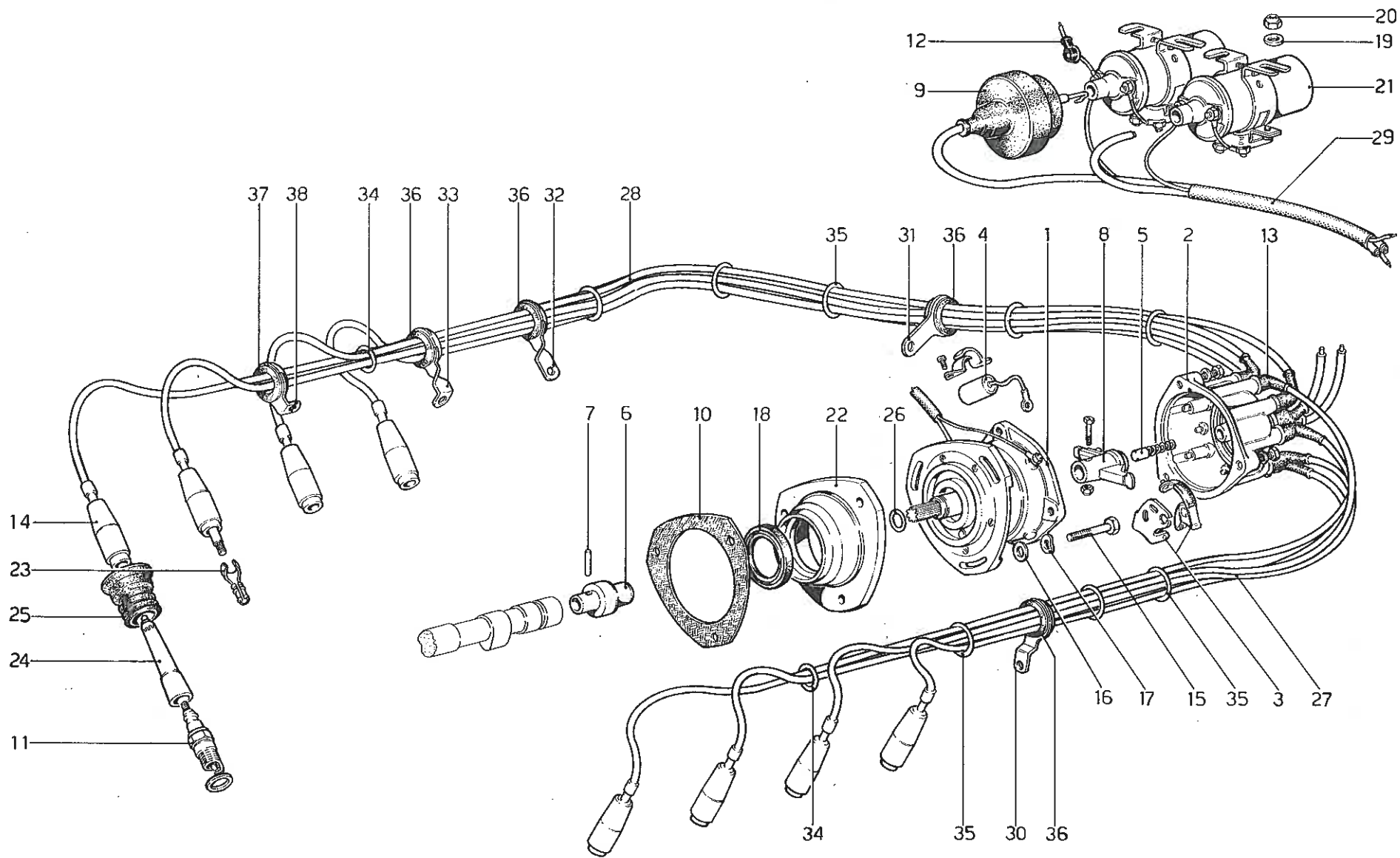


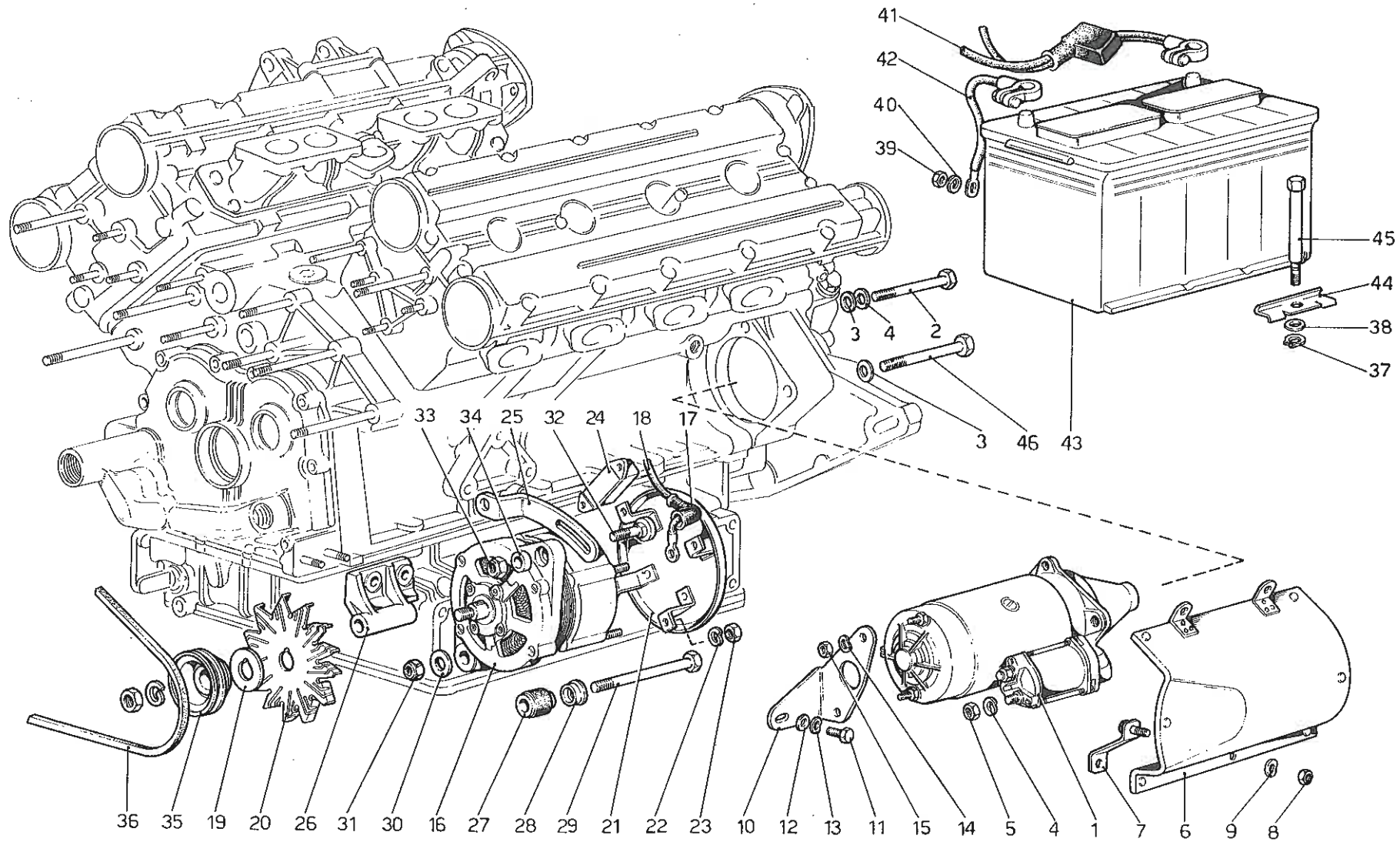


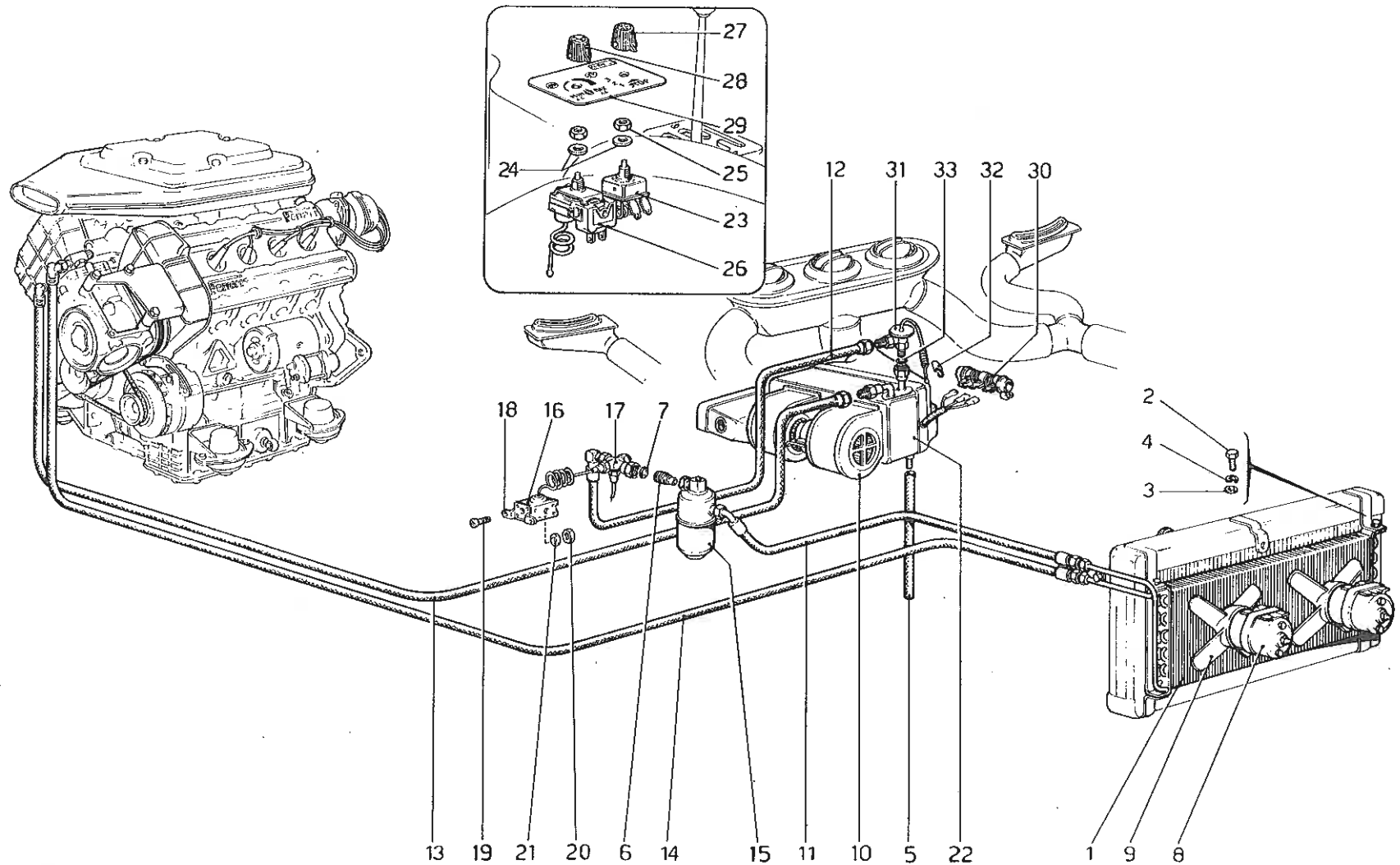


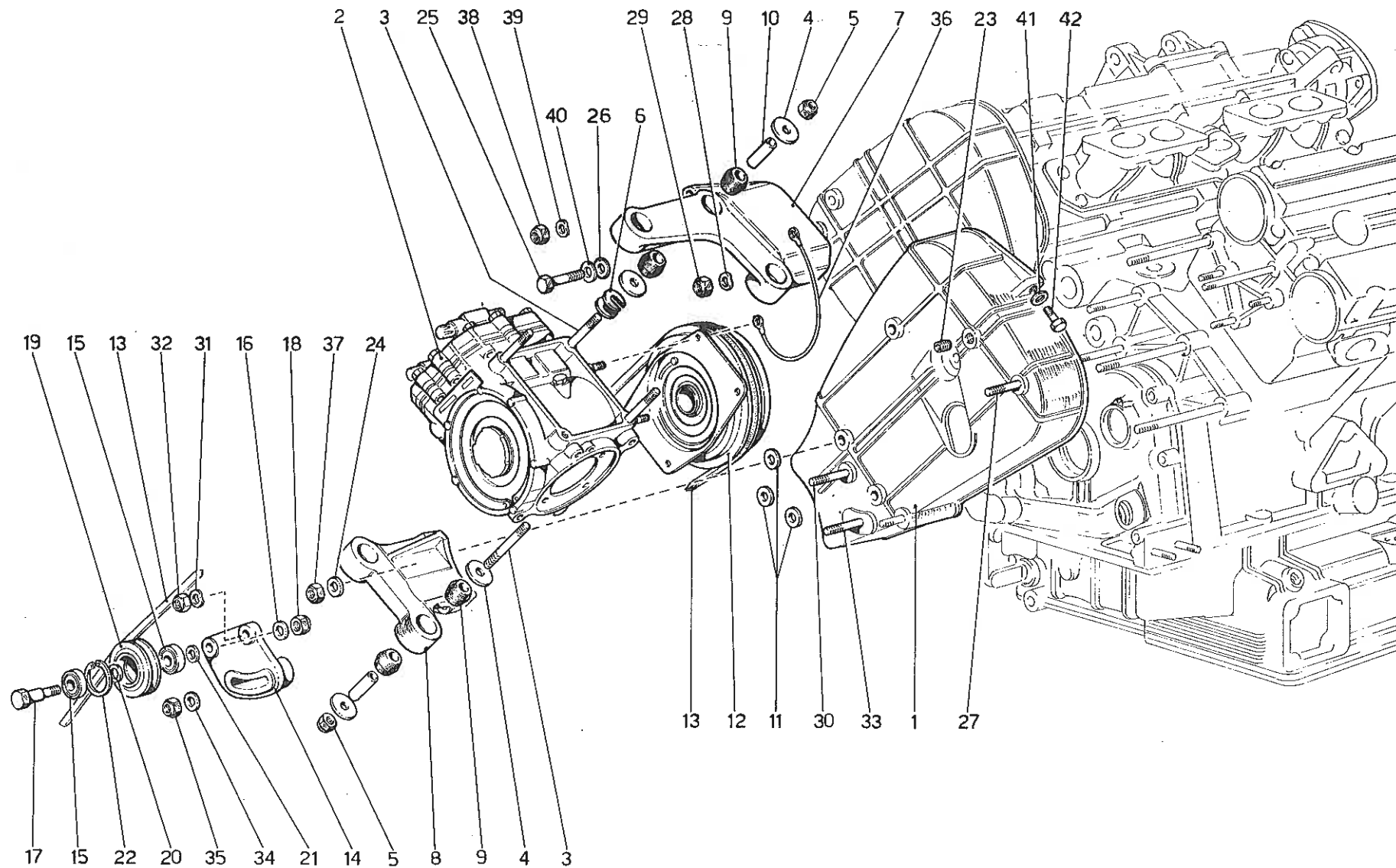


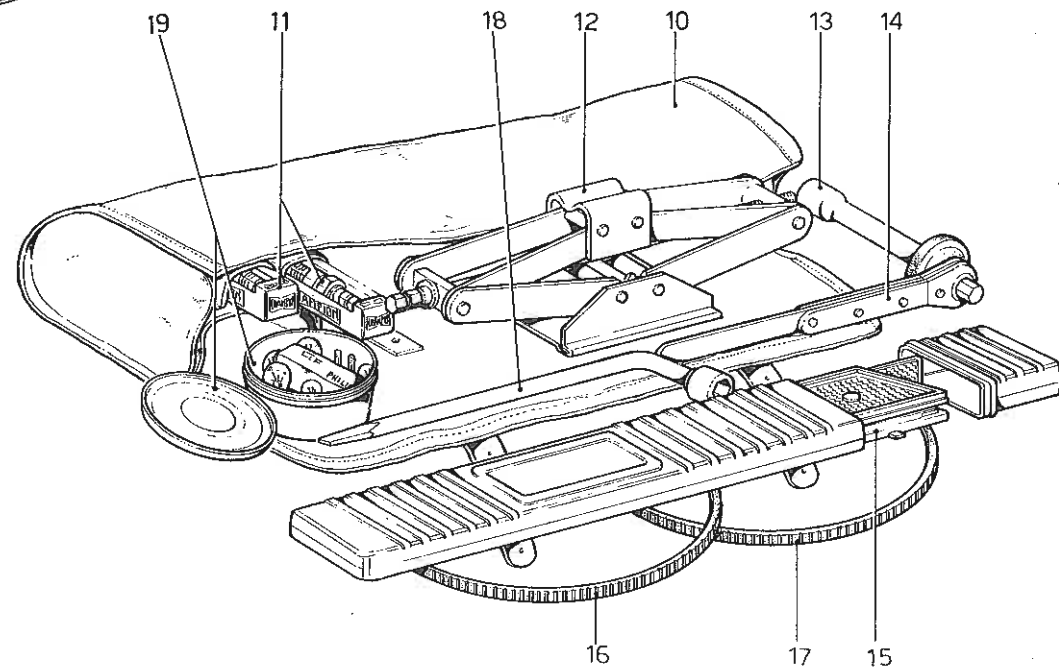
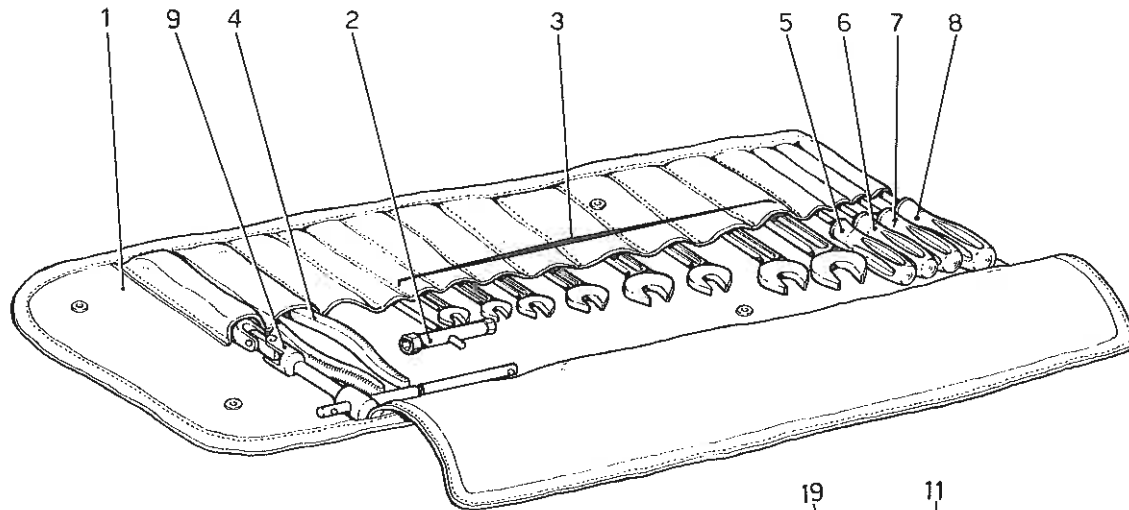


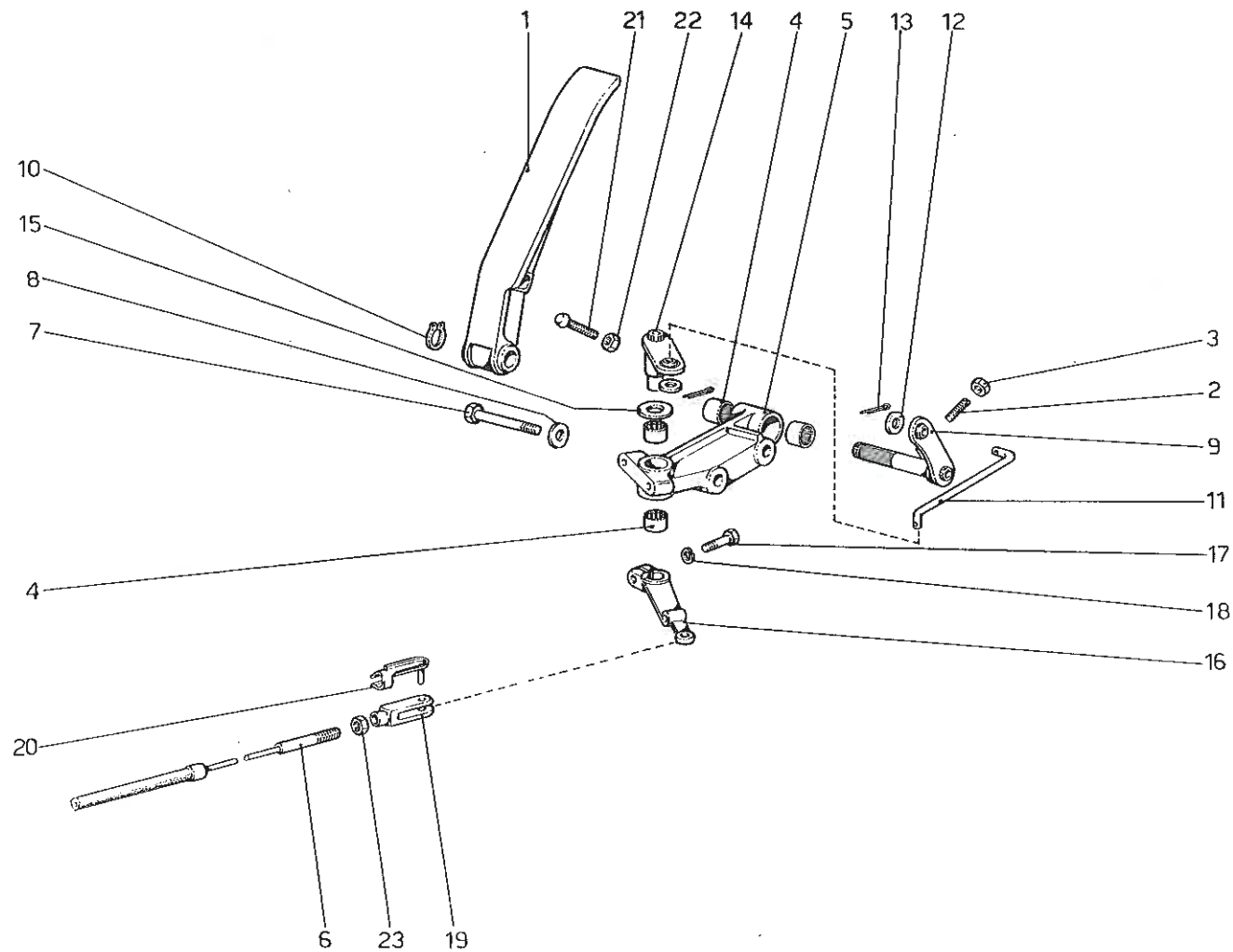


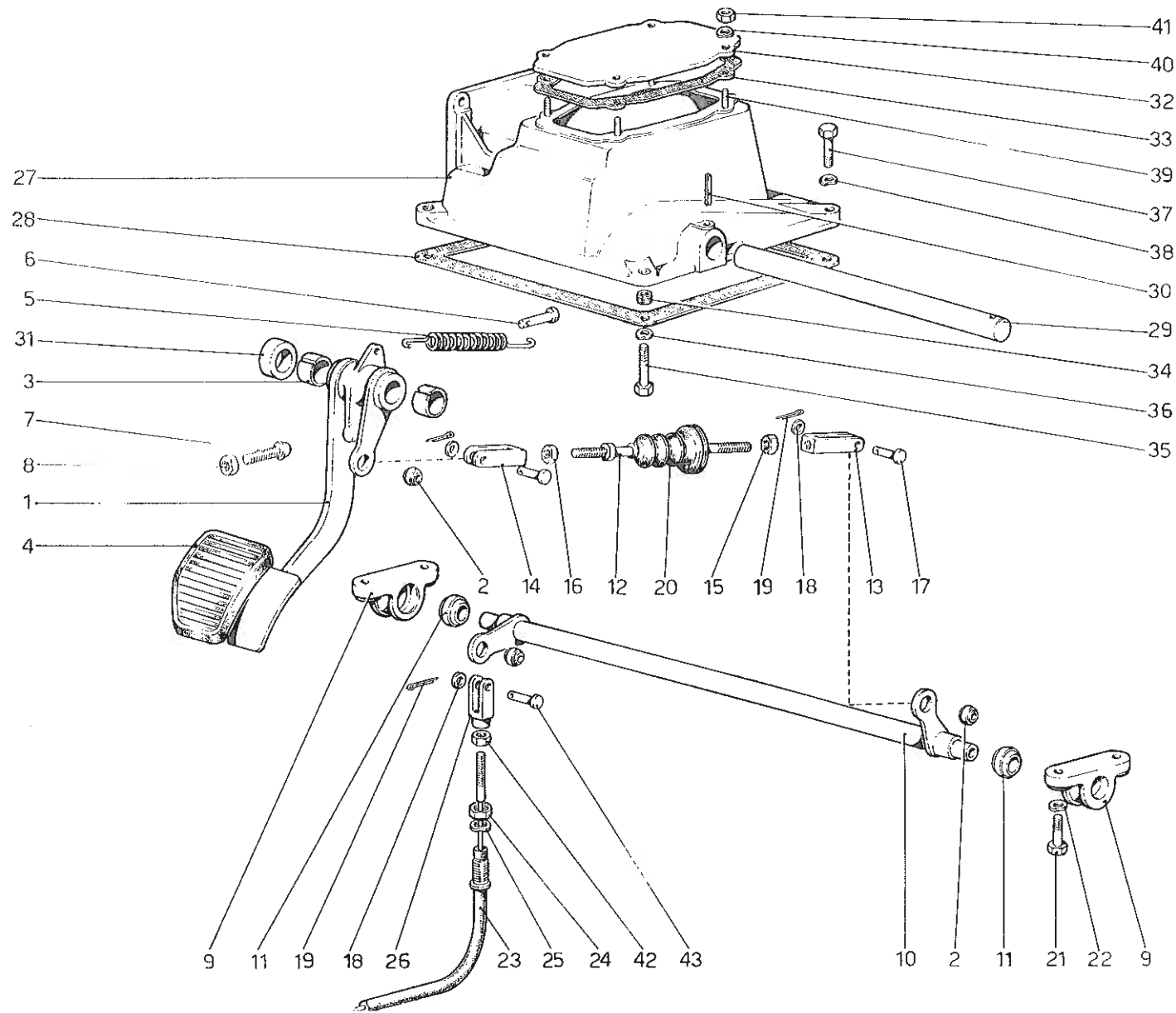


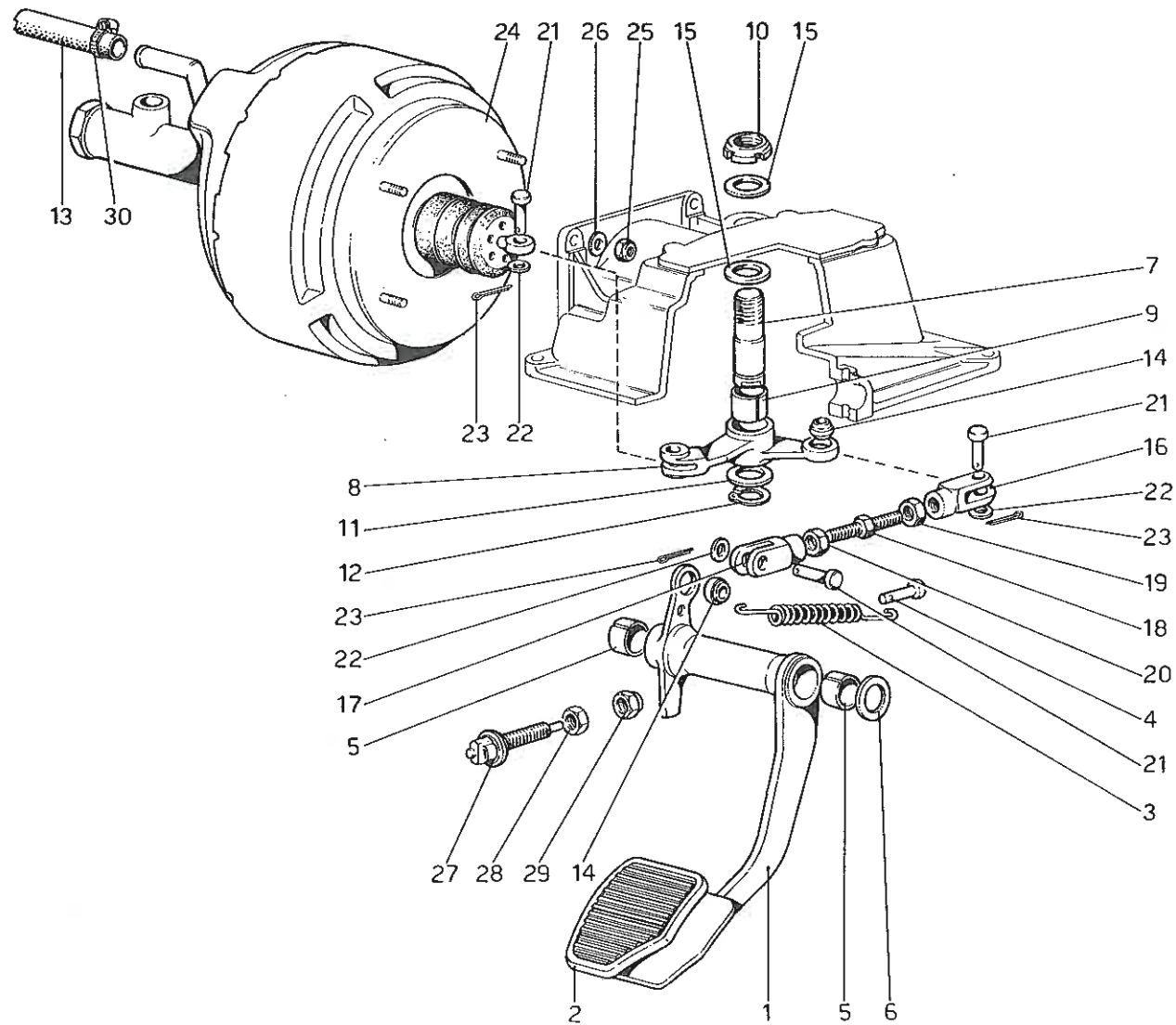


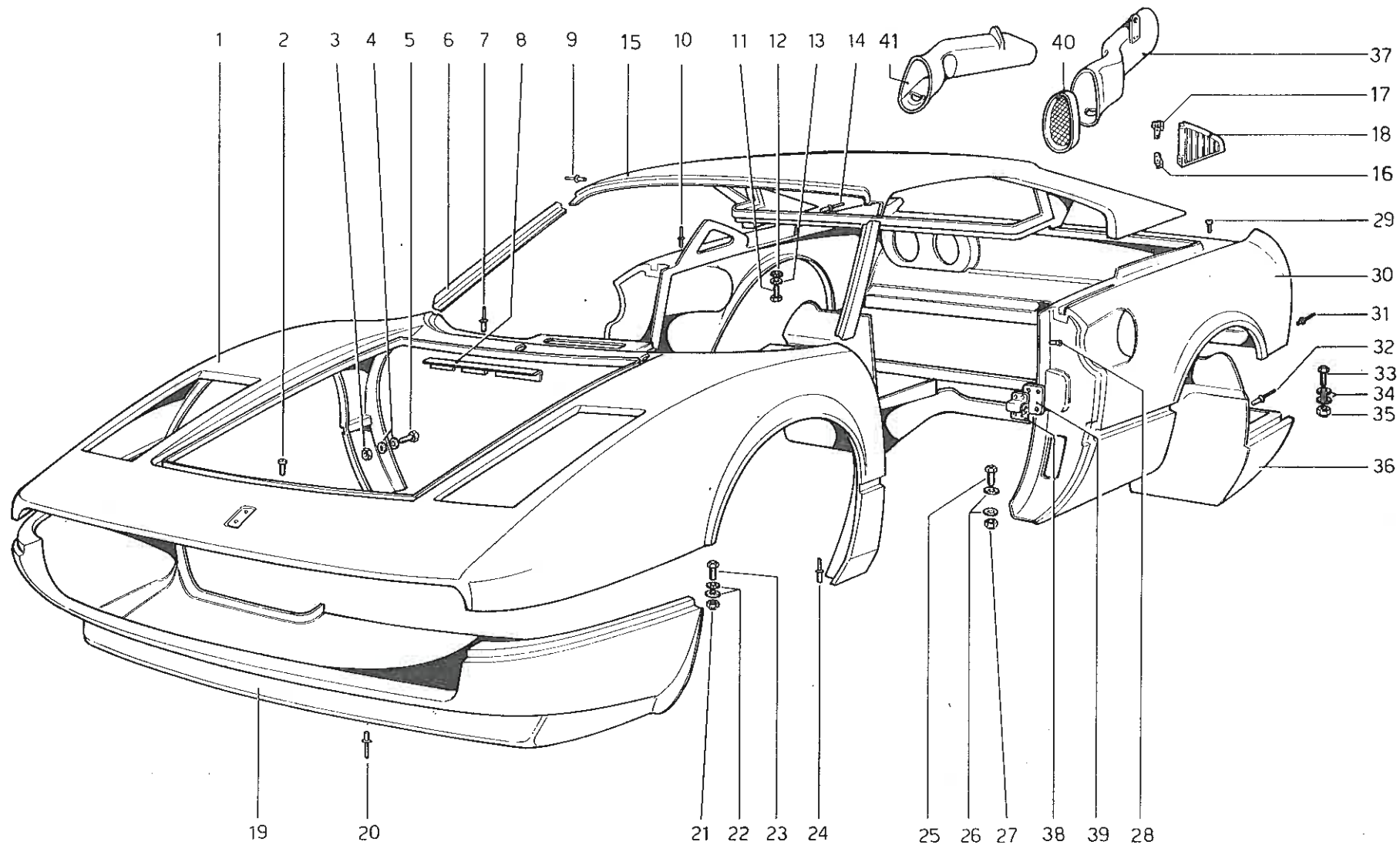


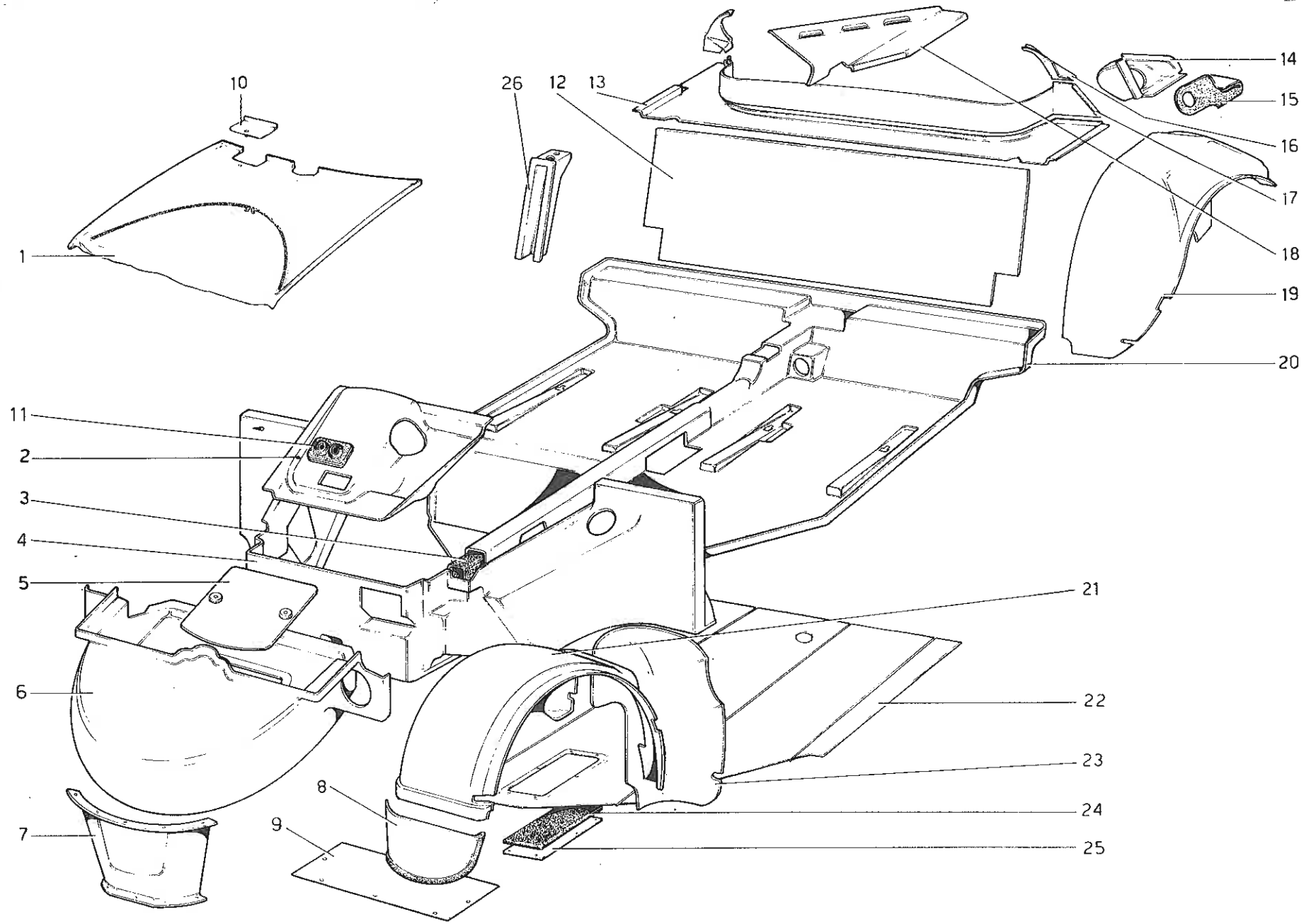


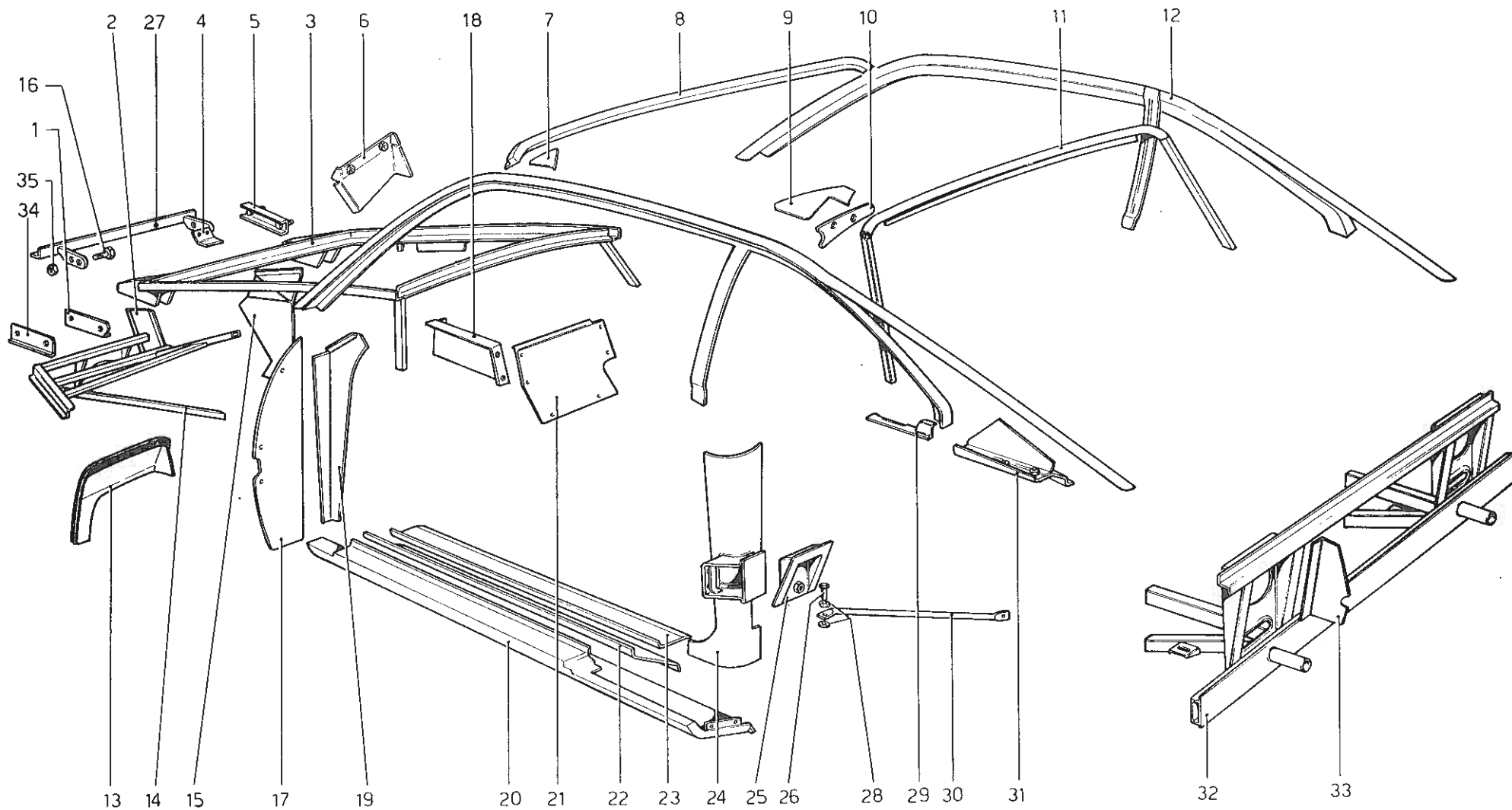


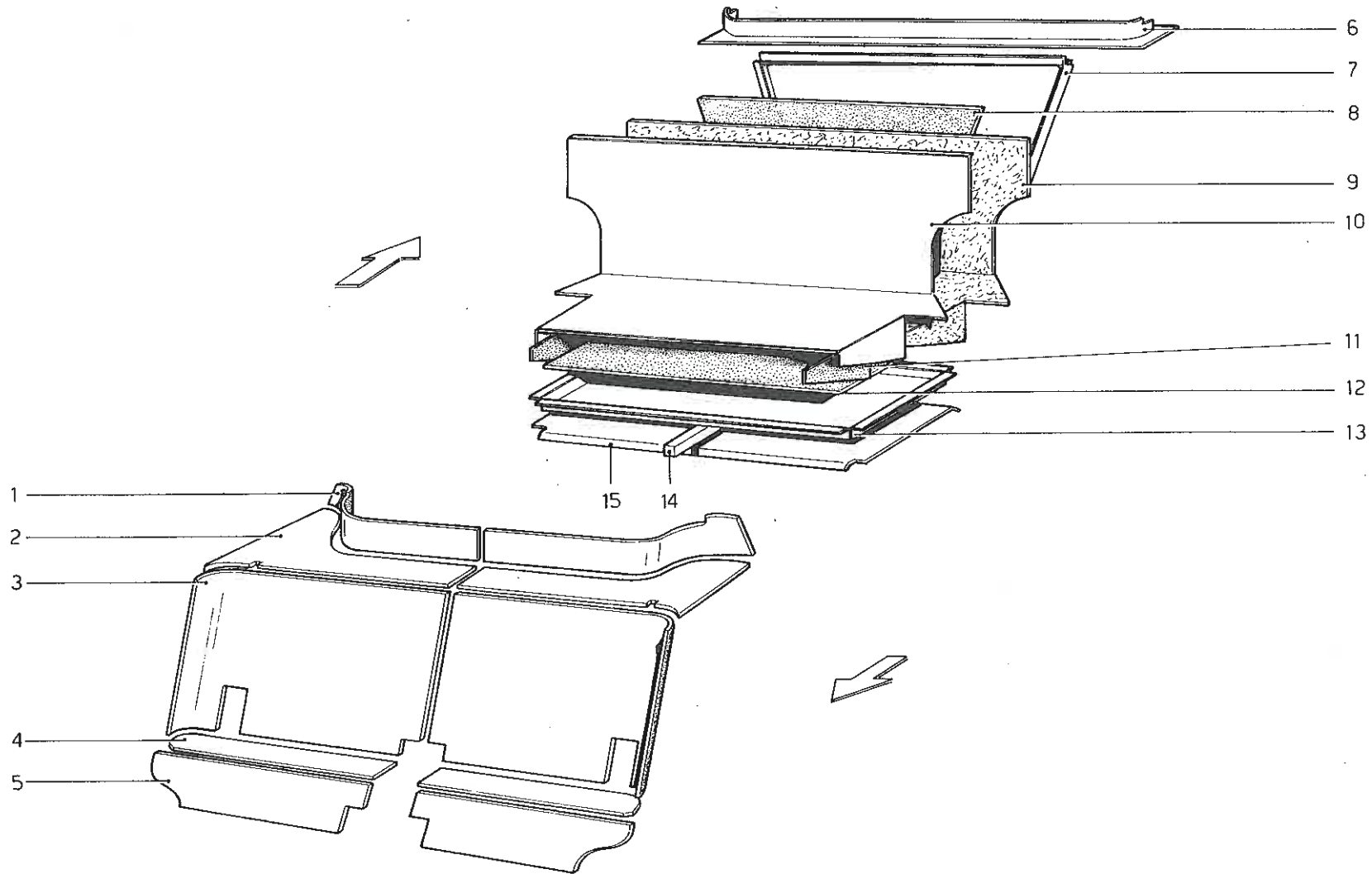


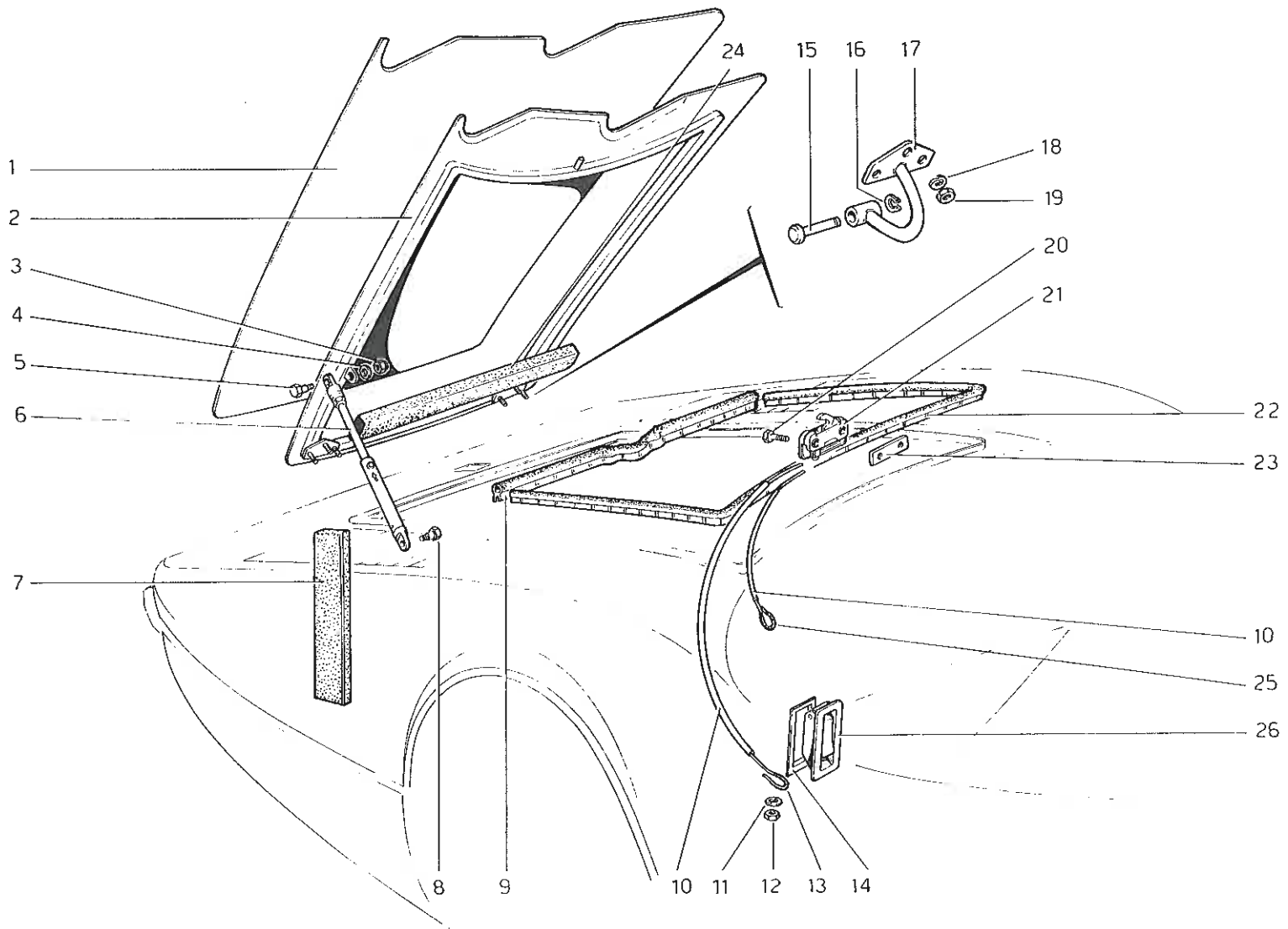


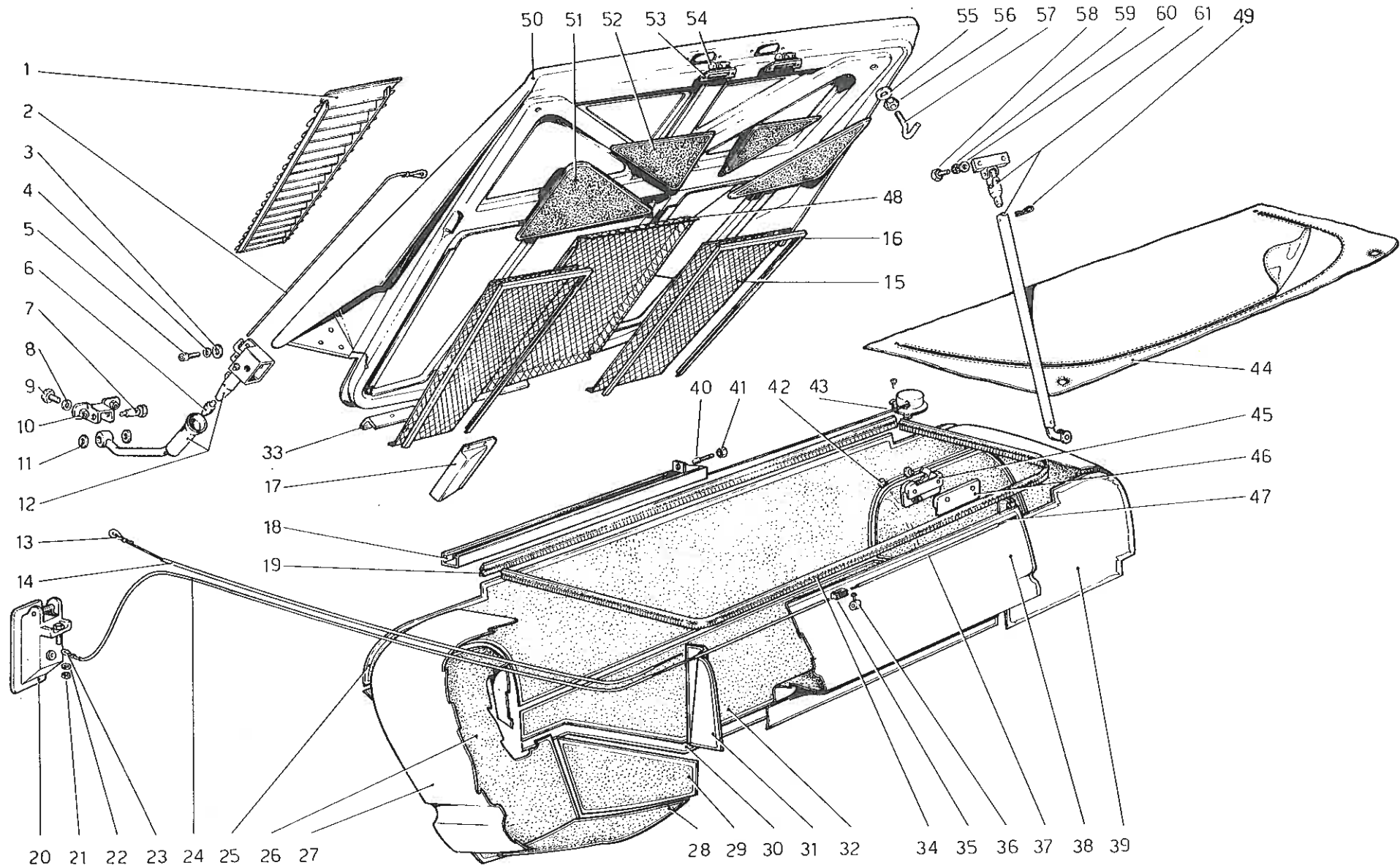


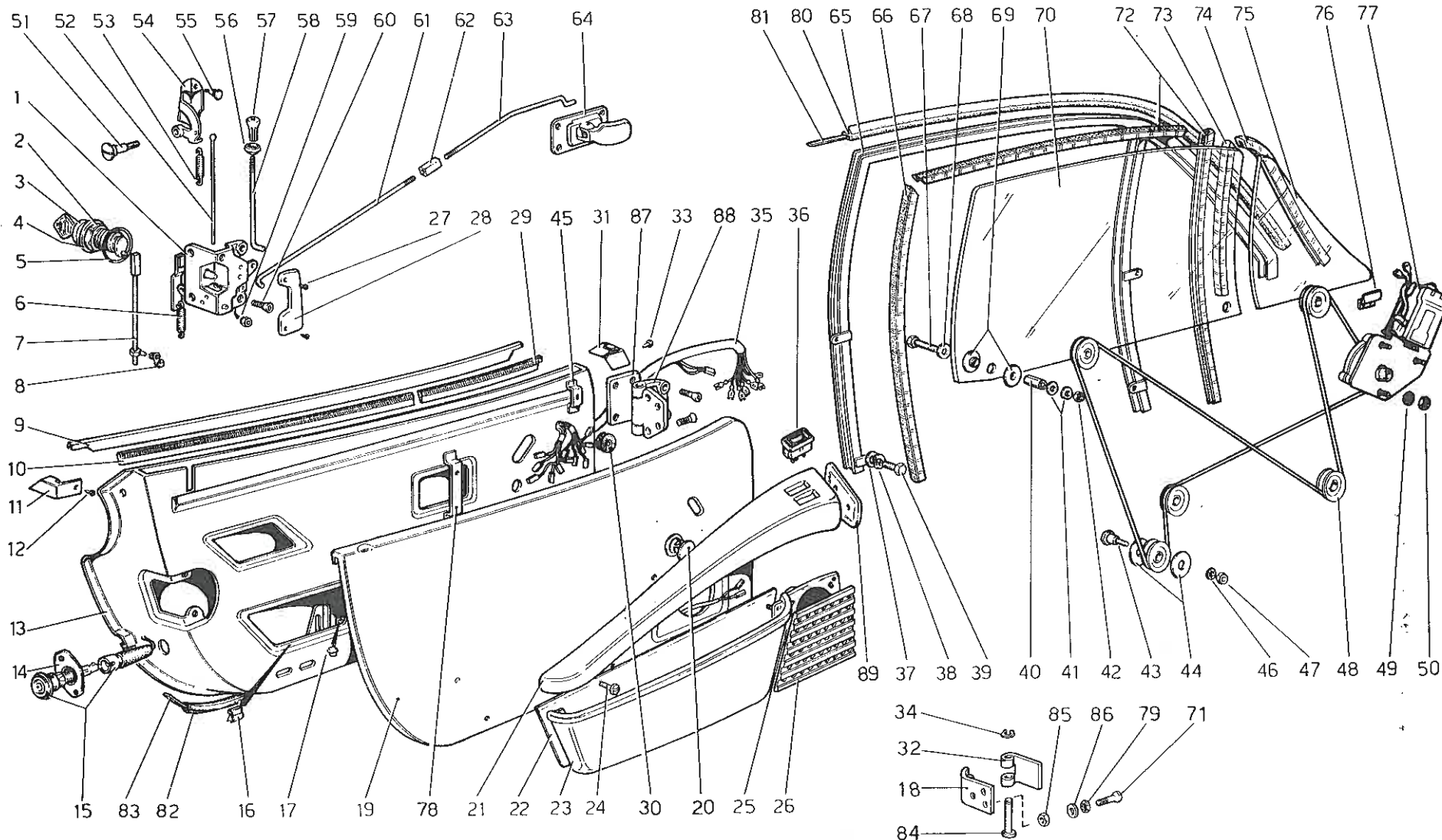


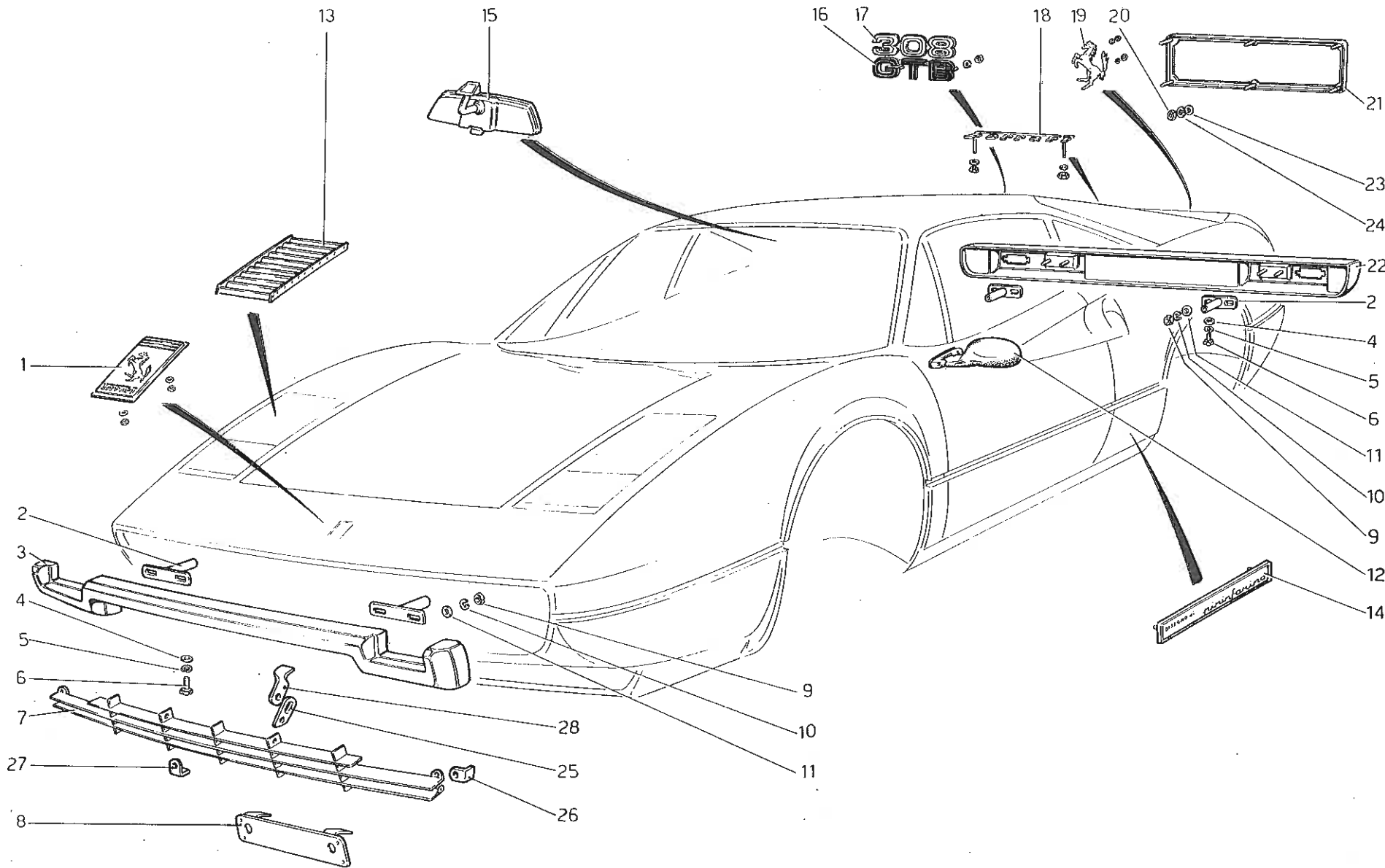


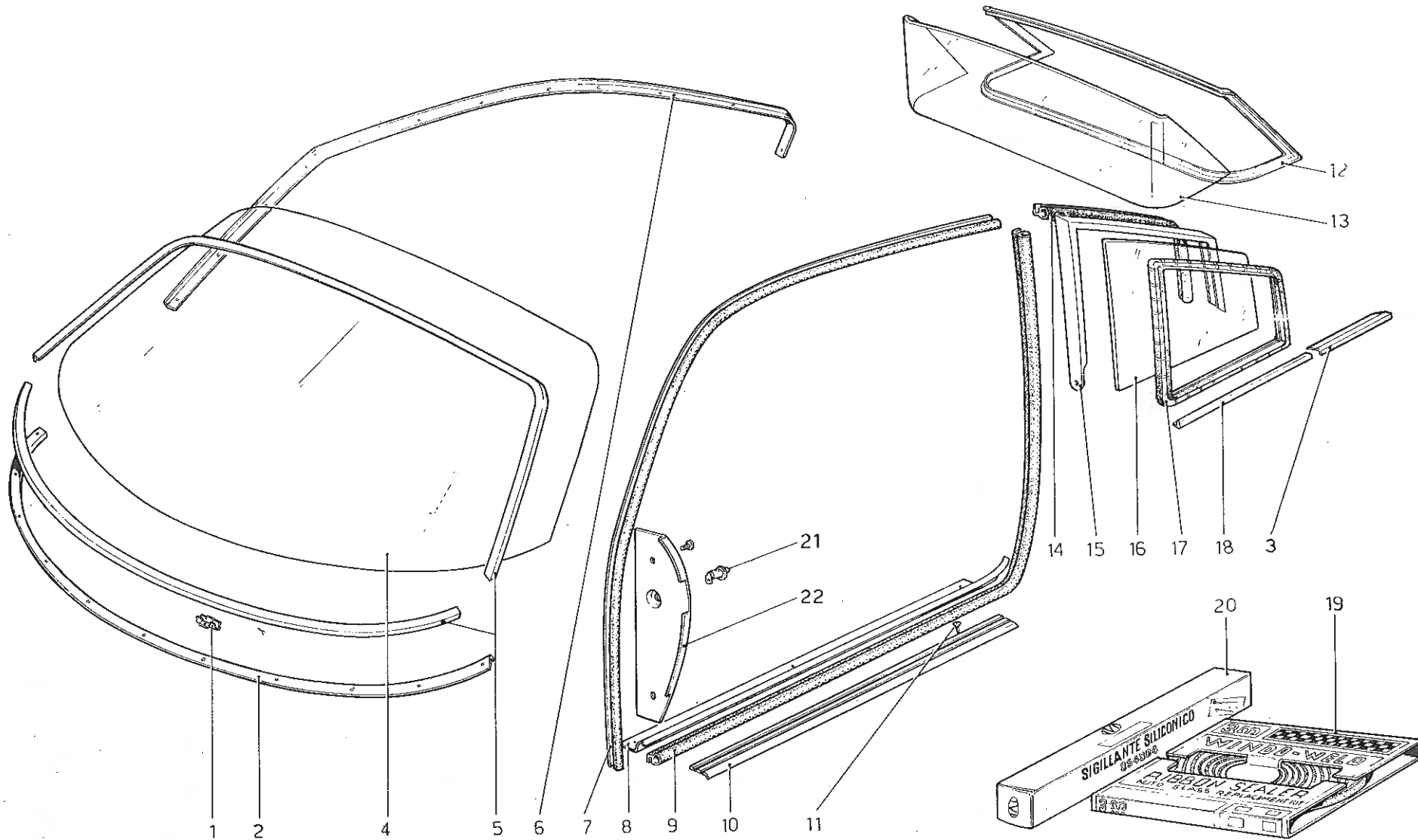


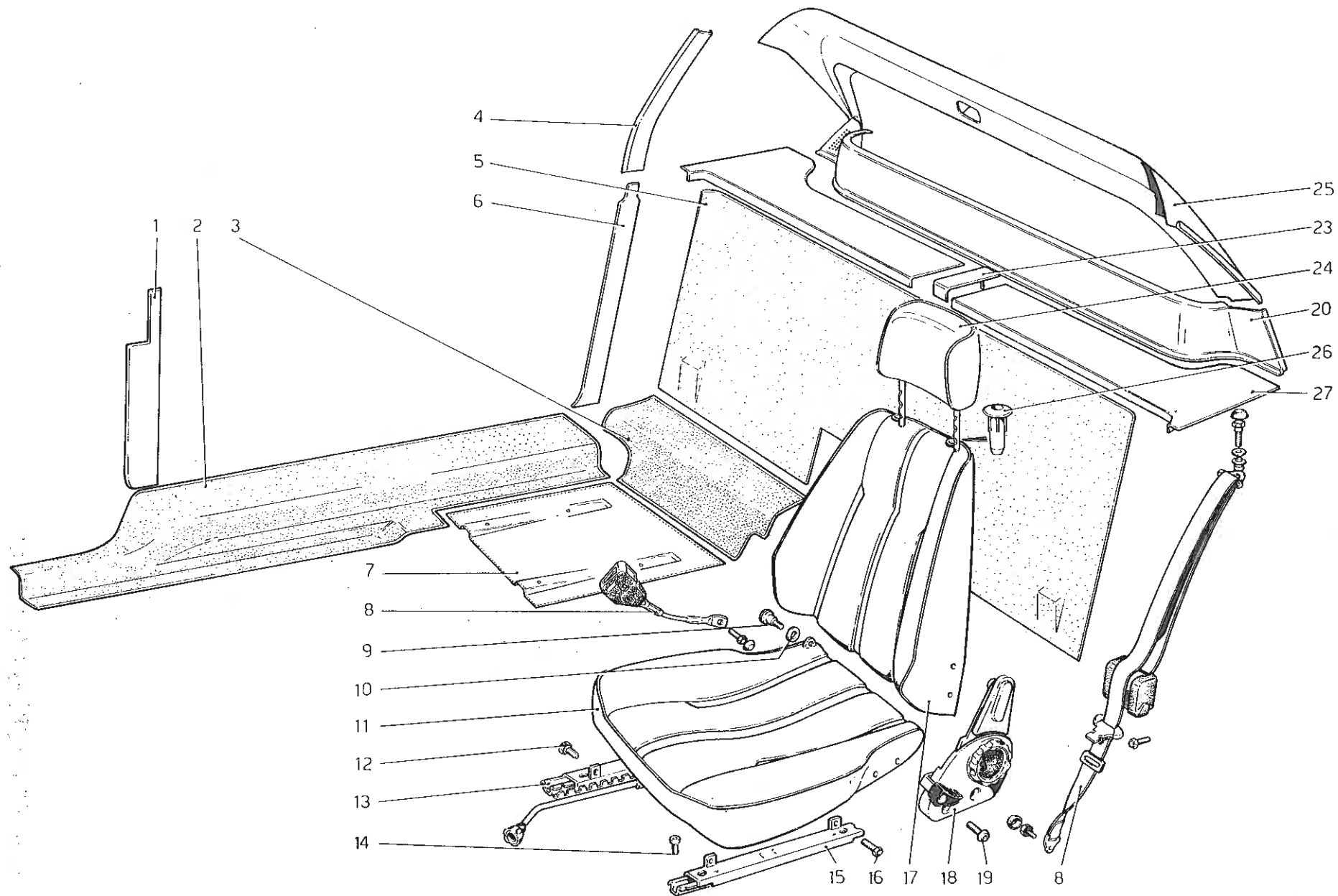


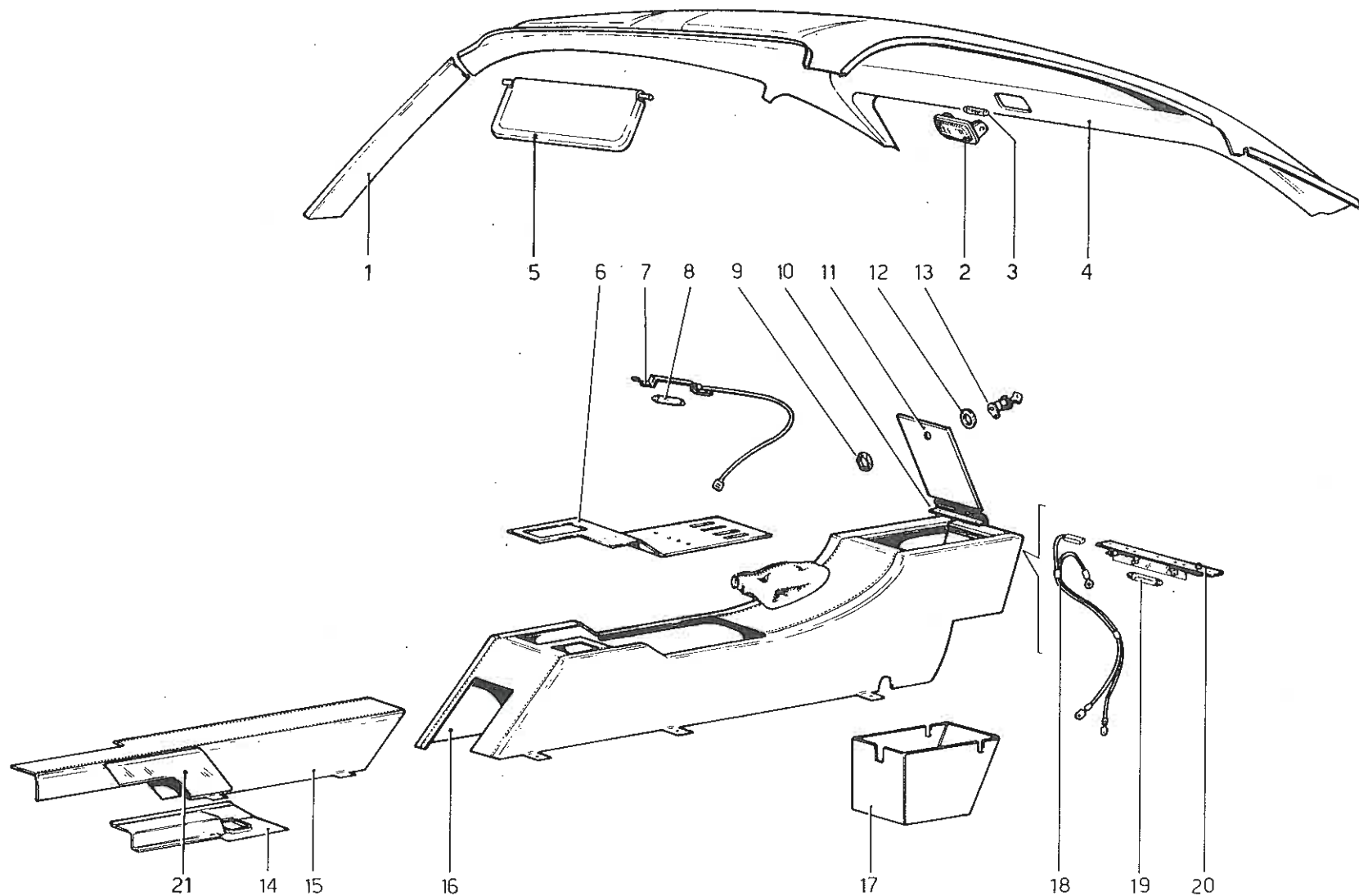


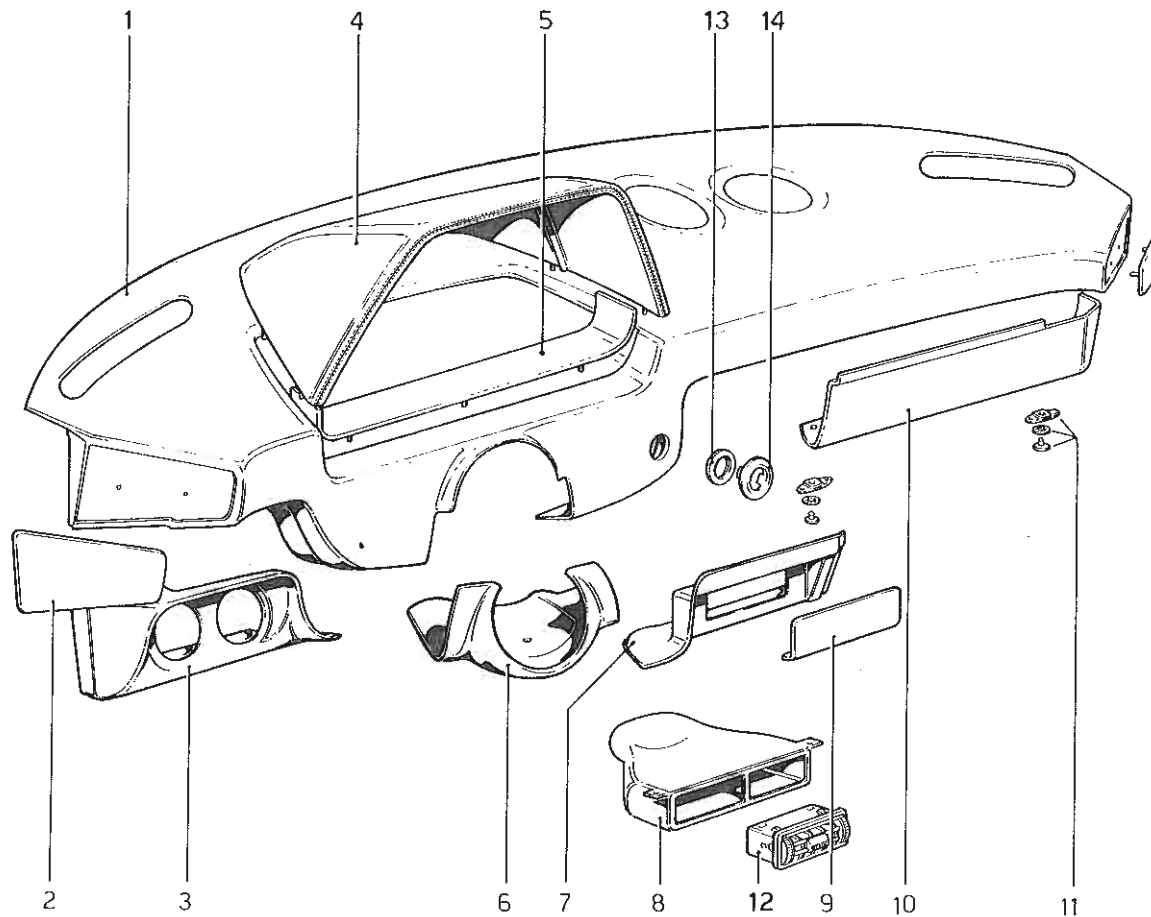


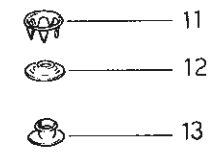
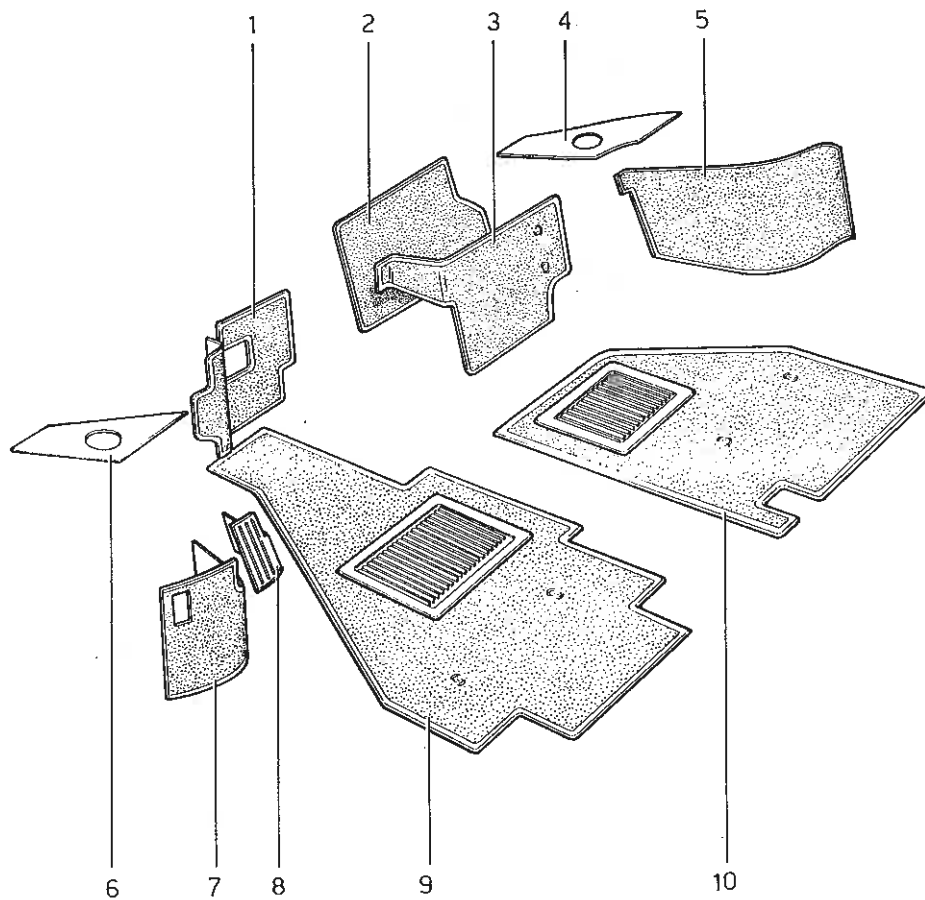


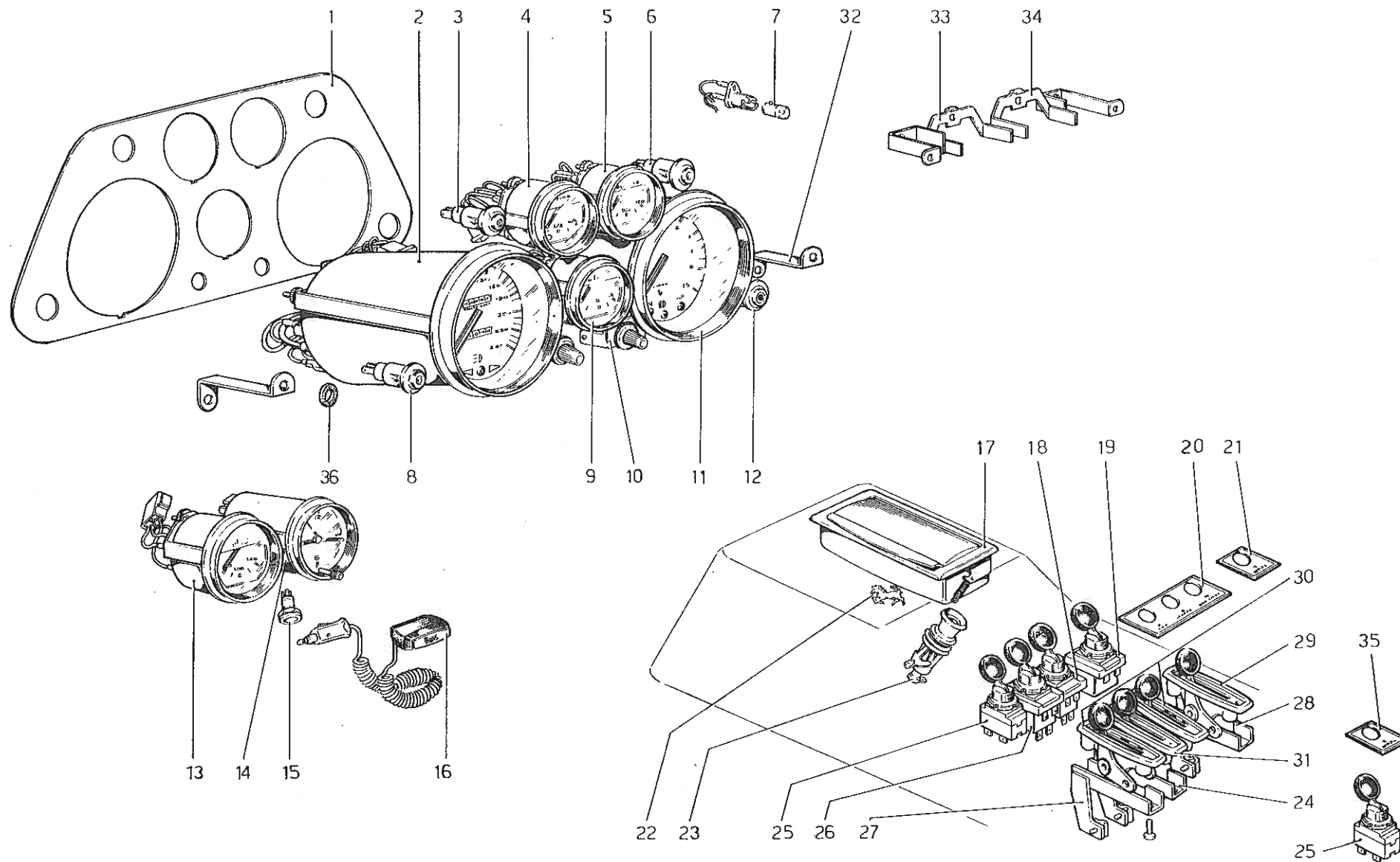


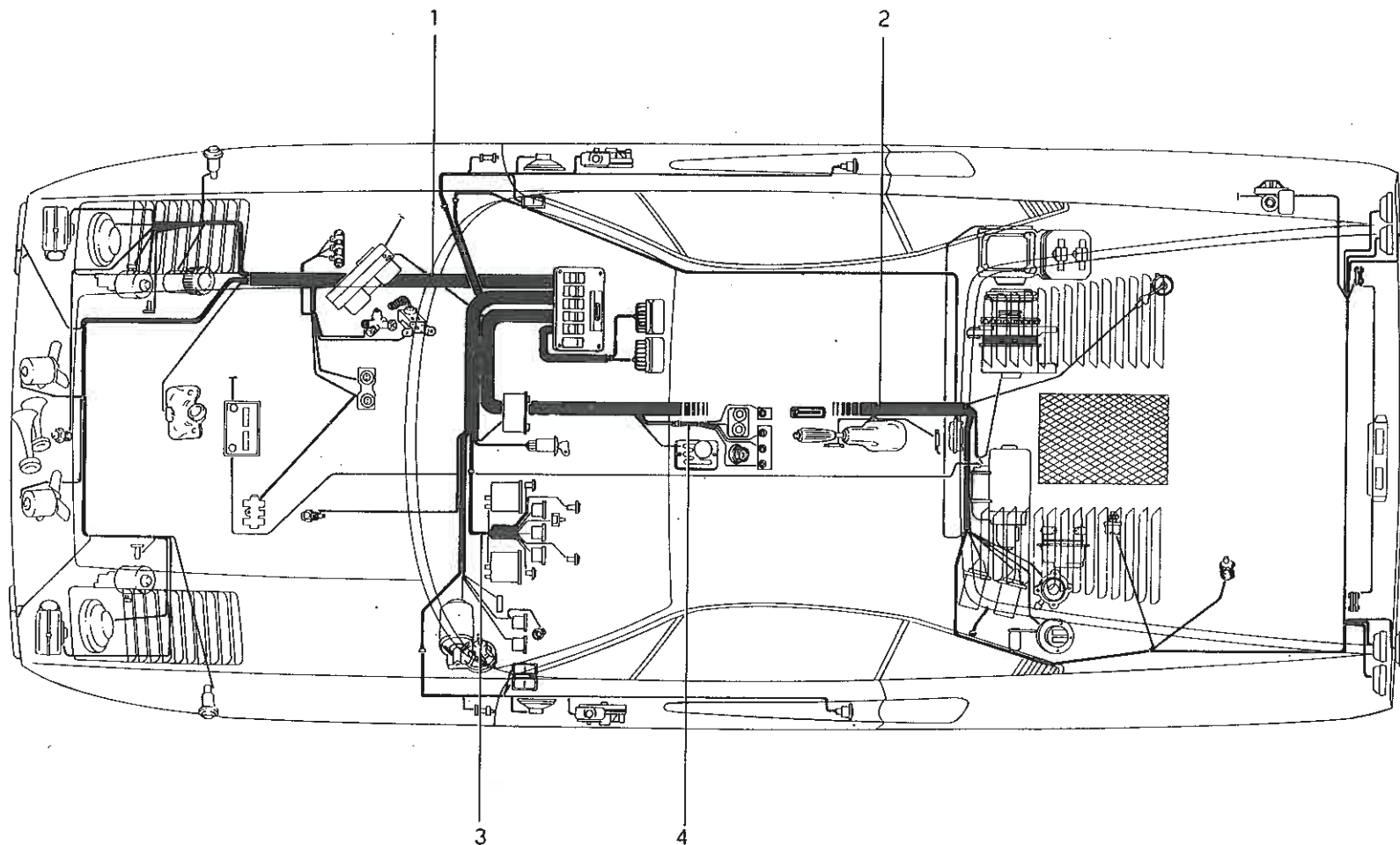












Ferrari 308
GTB

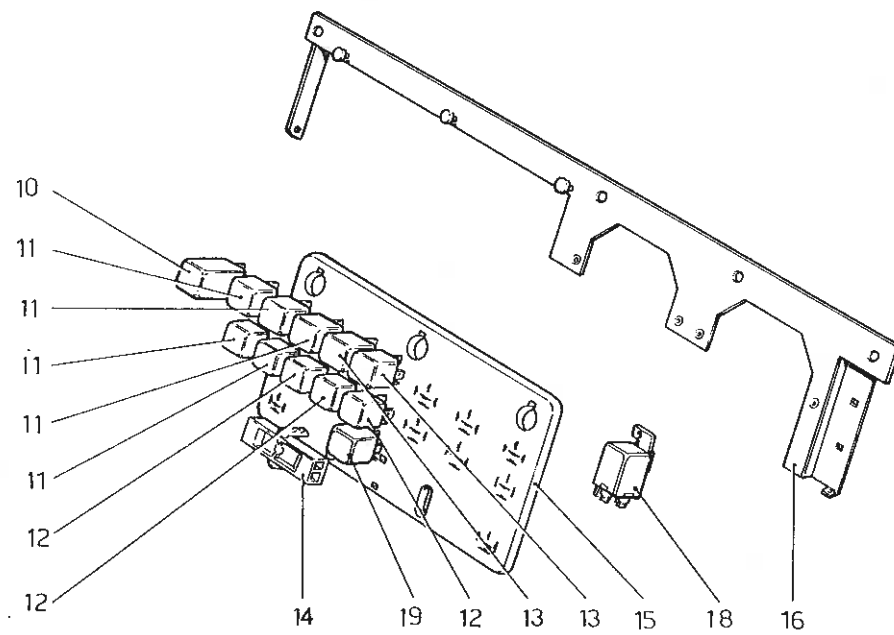
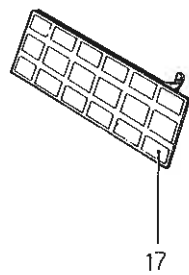
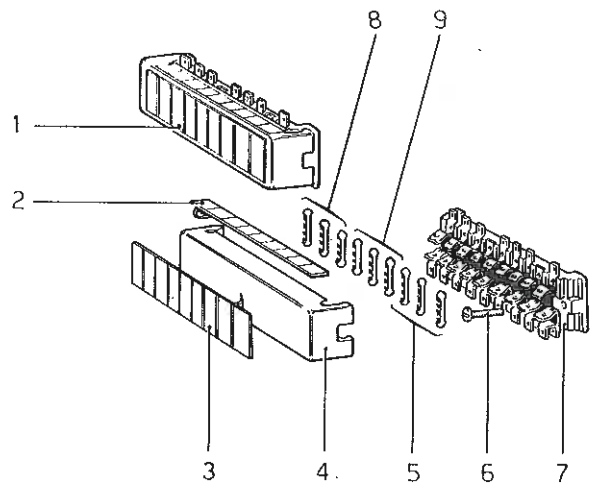
IMPIANTO ELETTRICO

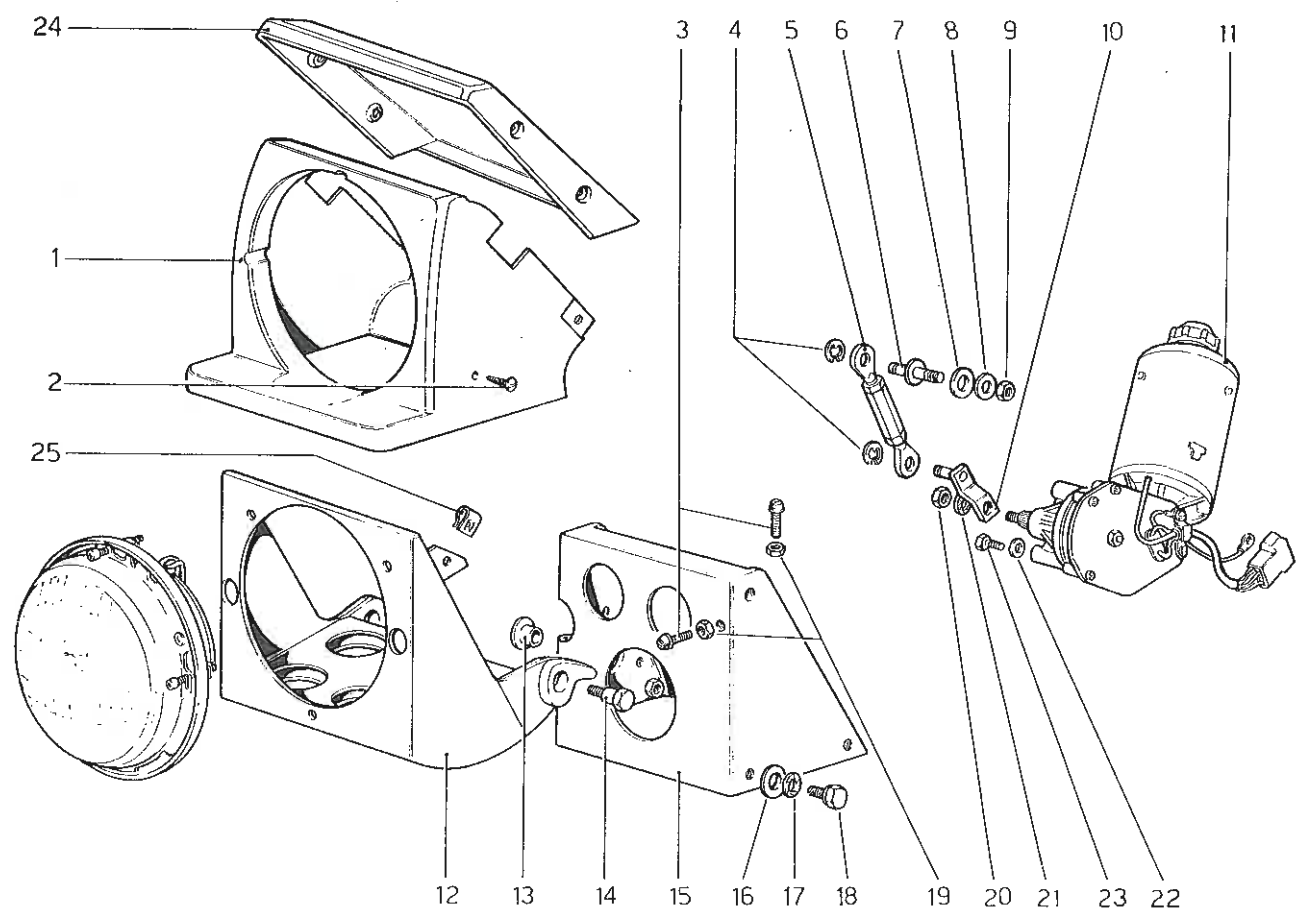
Note: _____

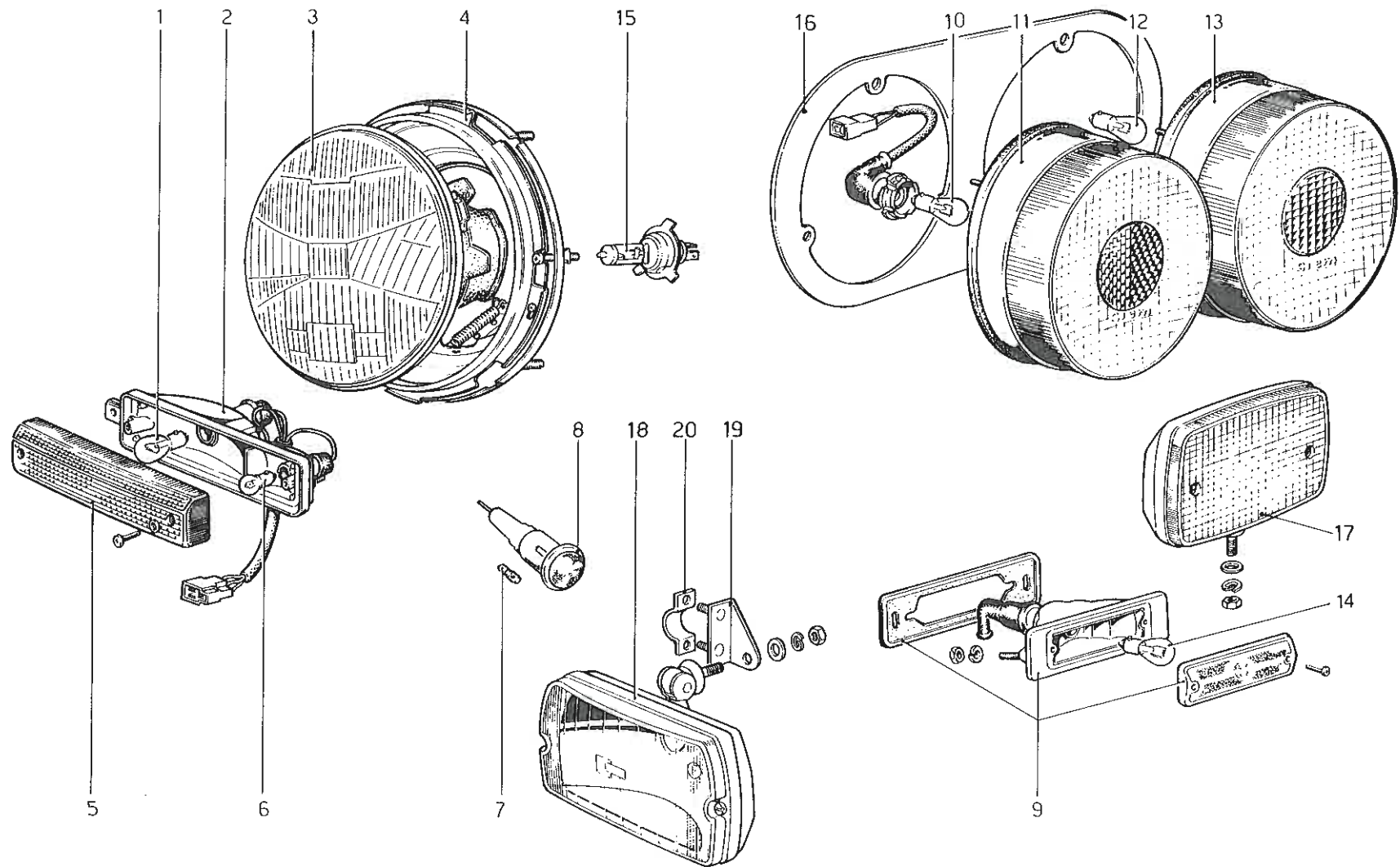
TAV. 116

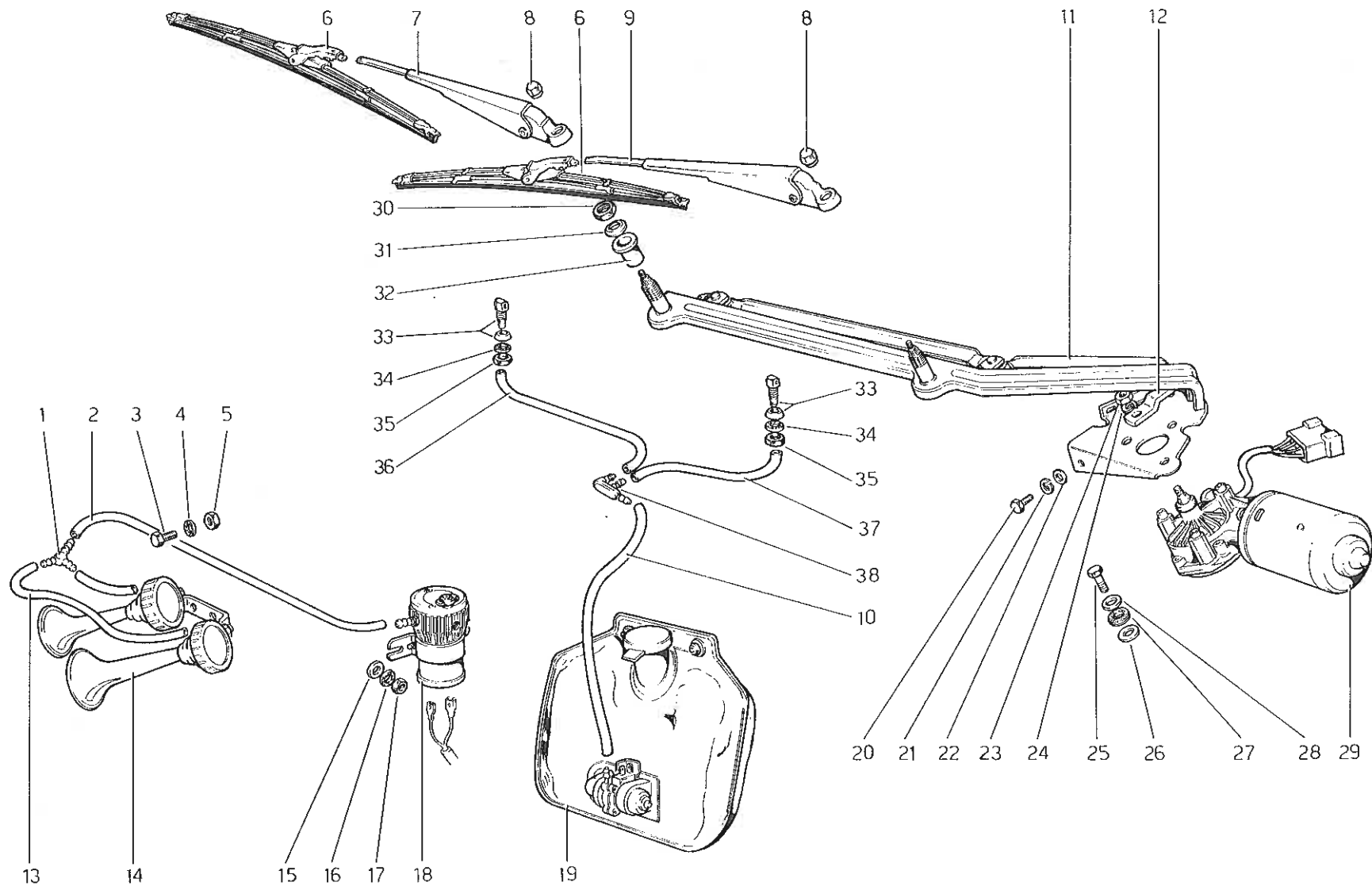
ESPONENTE MODIFICA:

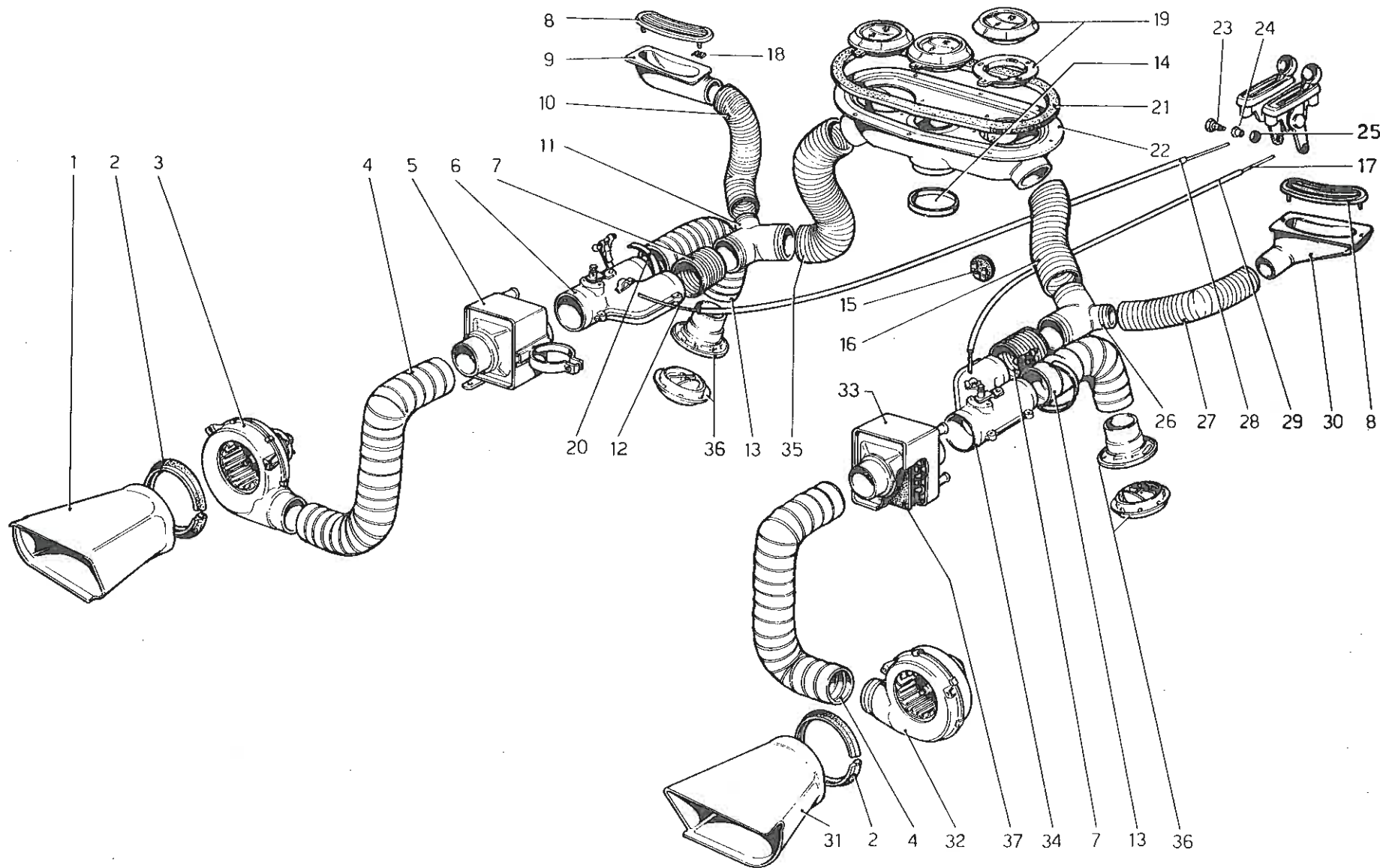
DATA: **SETTEMBRE 1976**

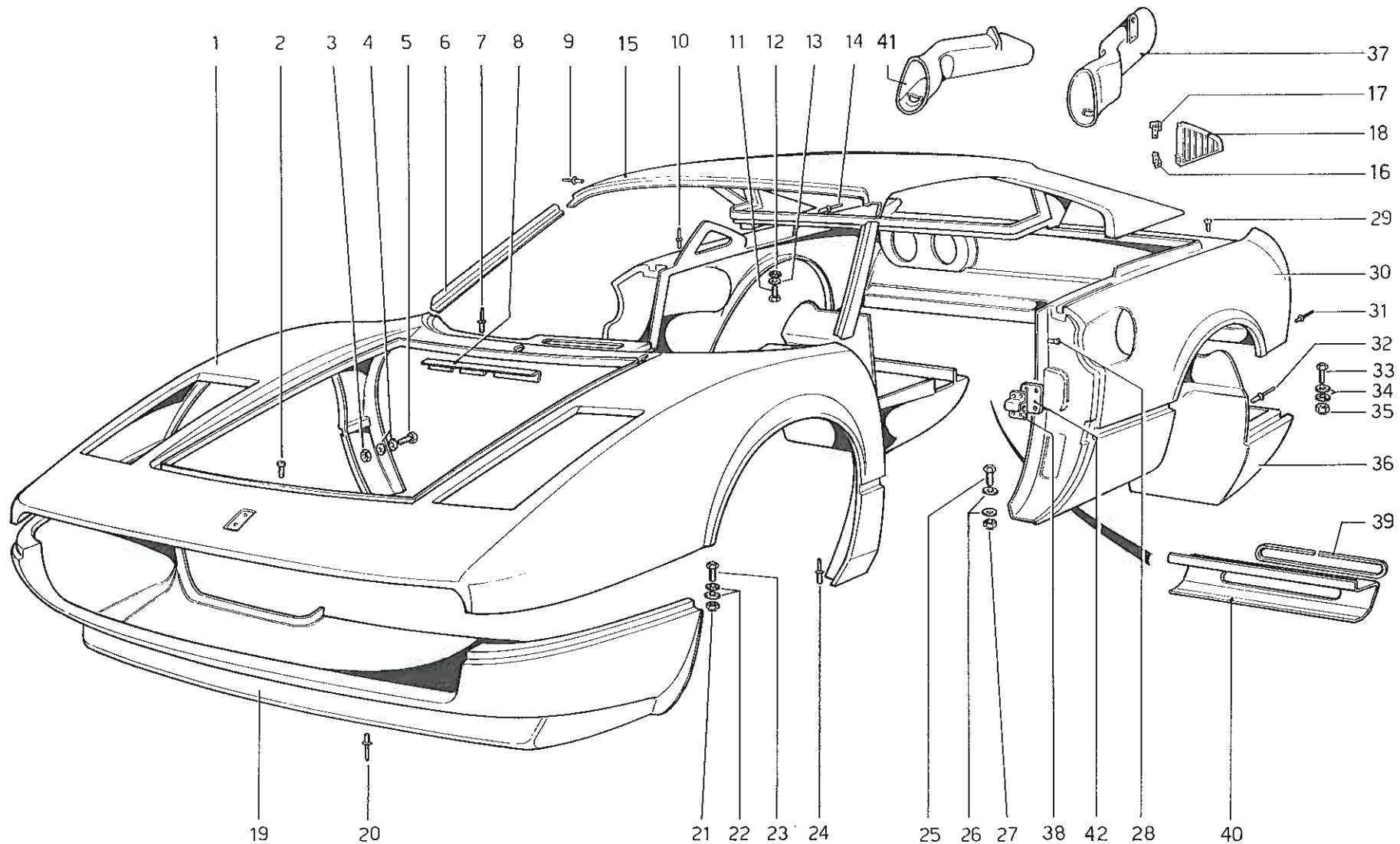


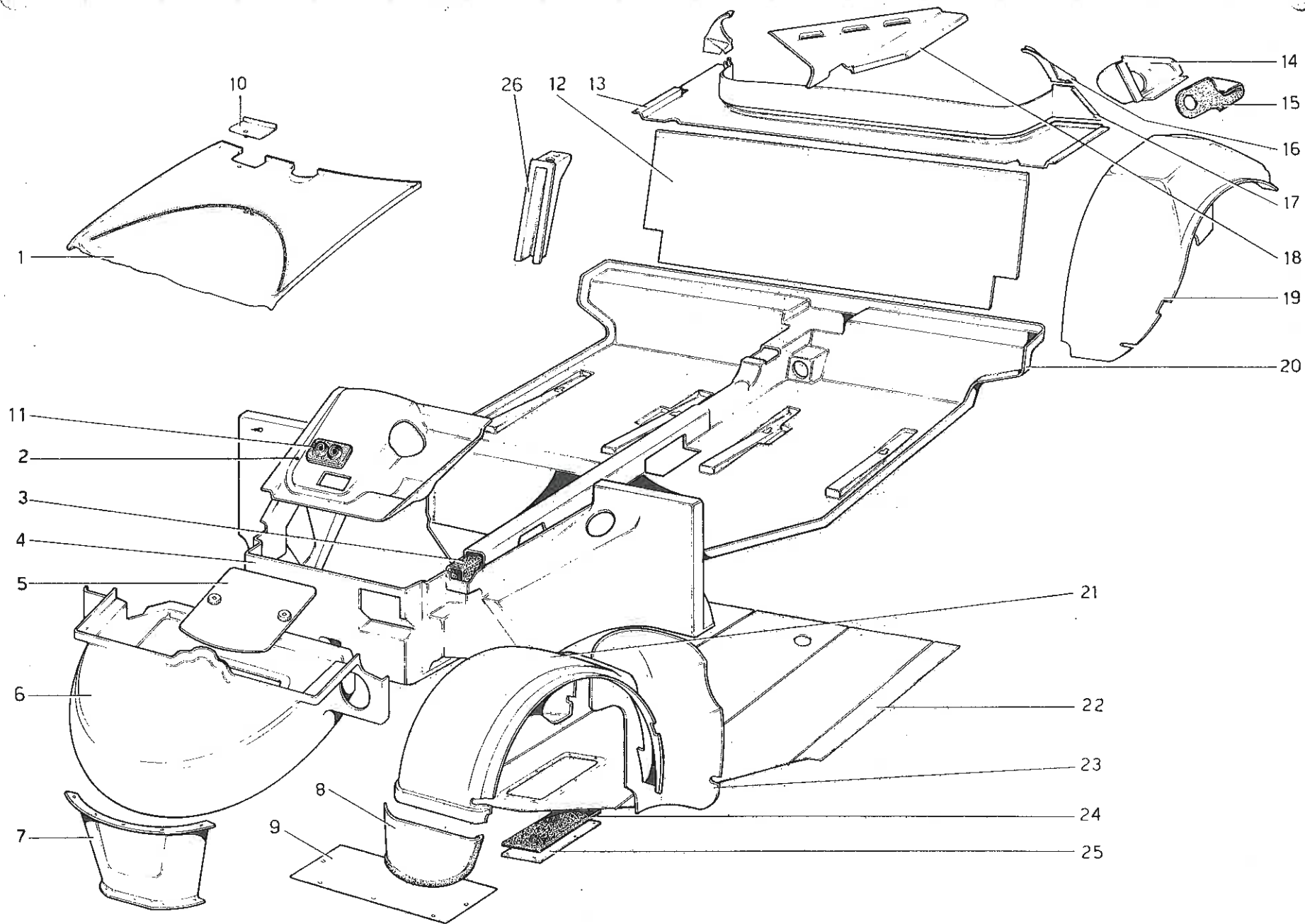


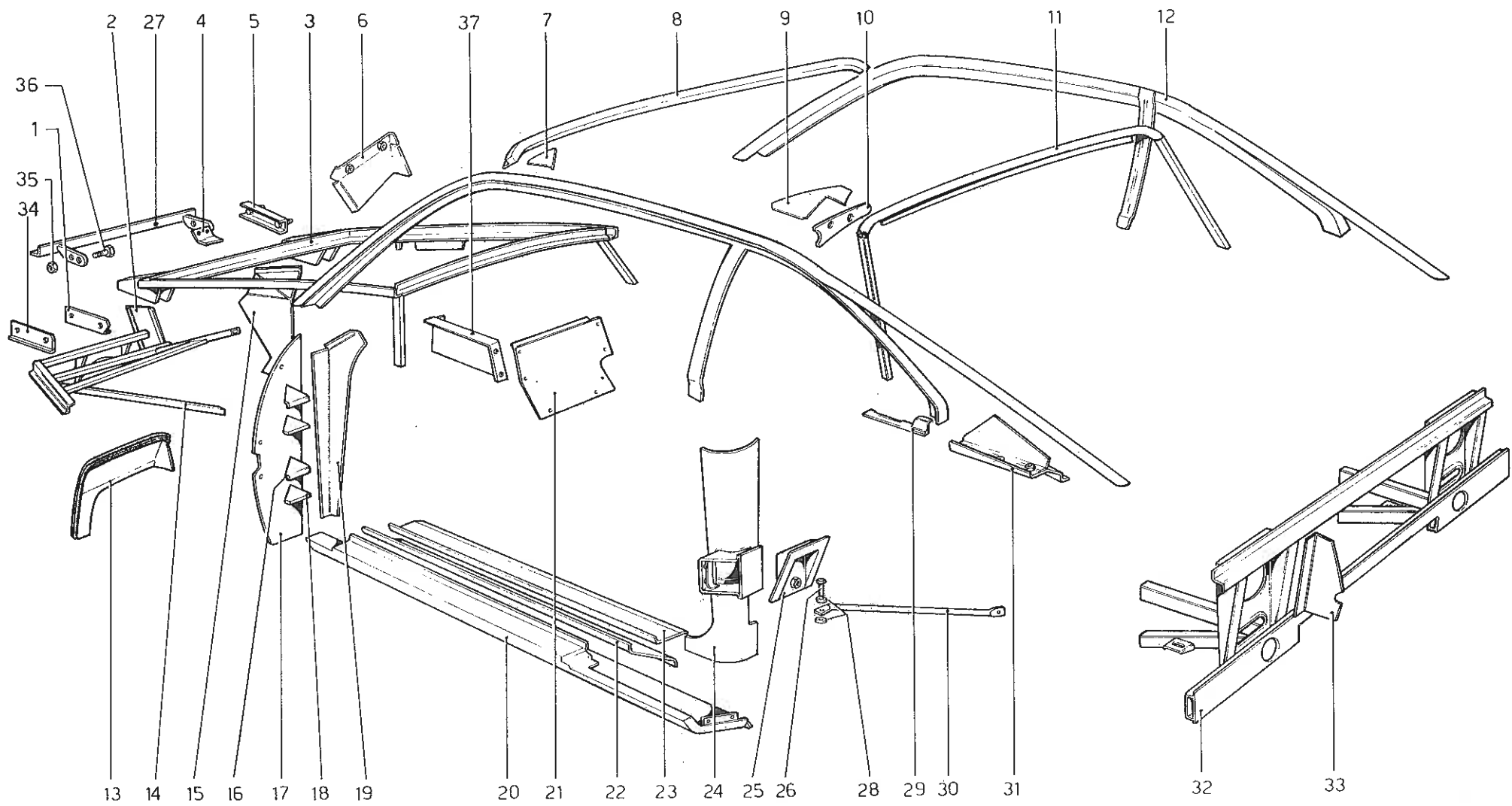


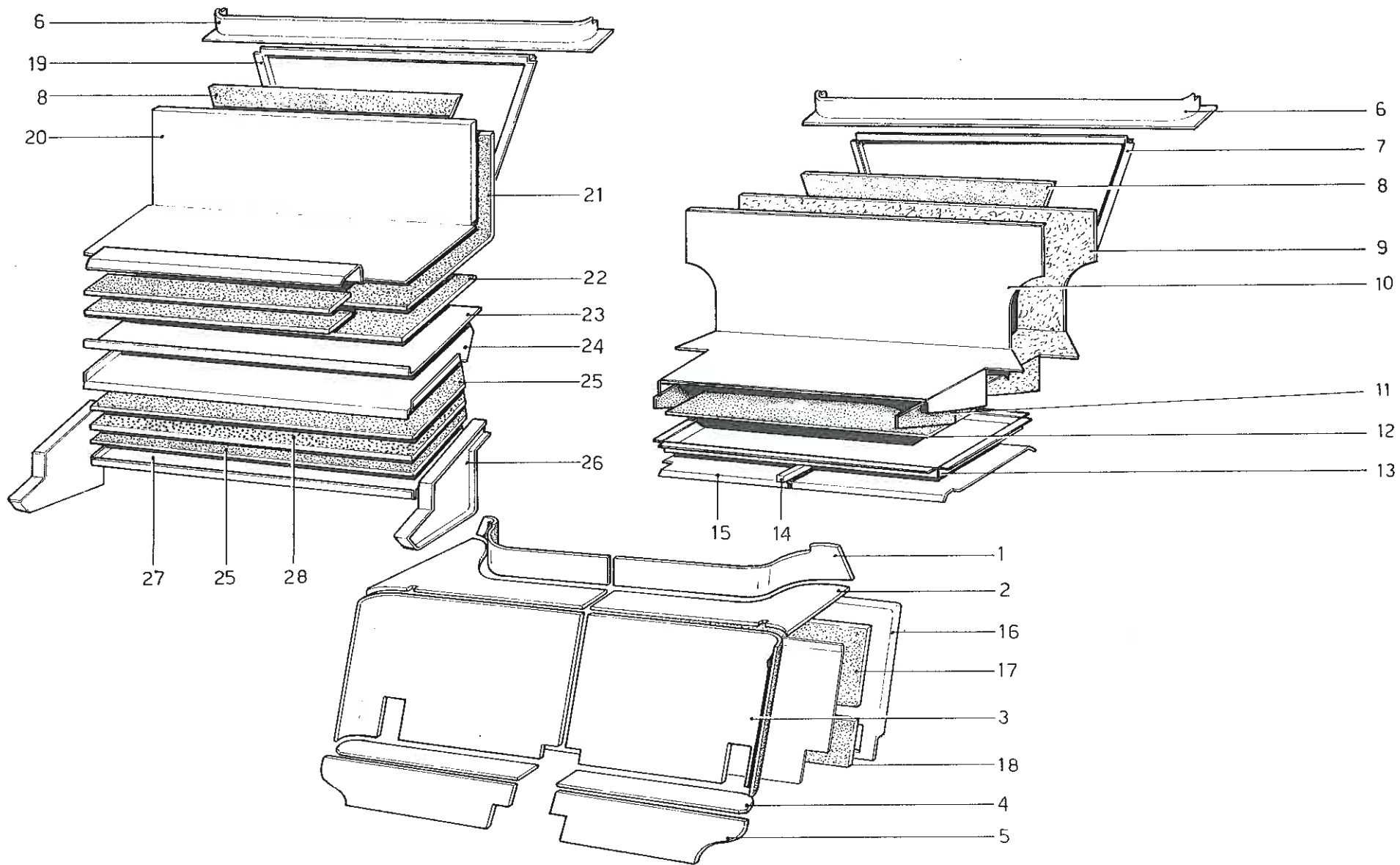


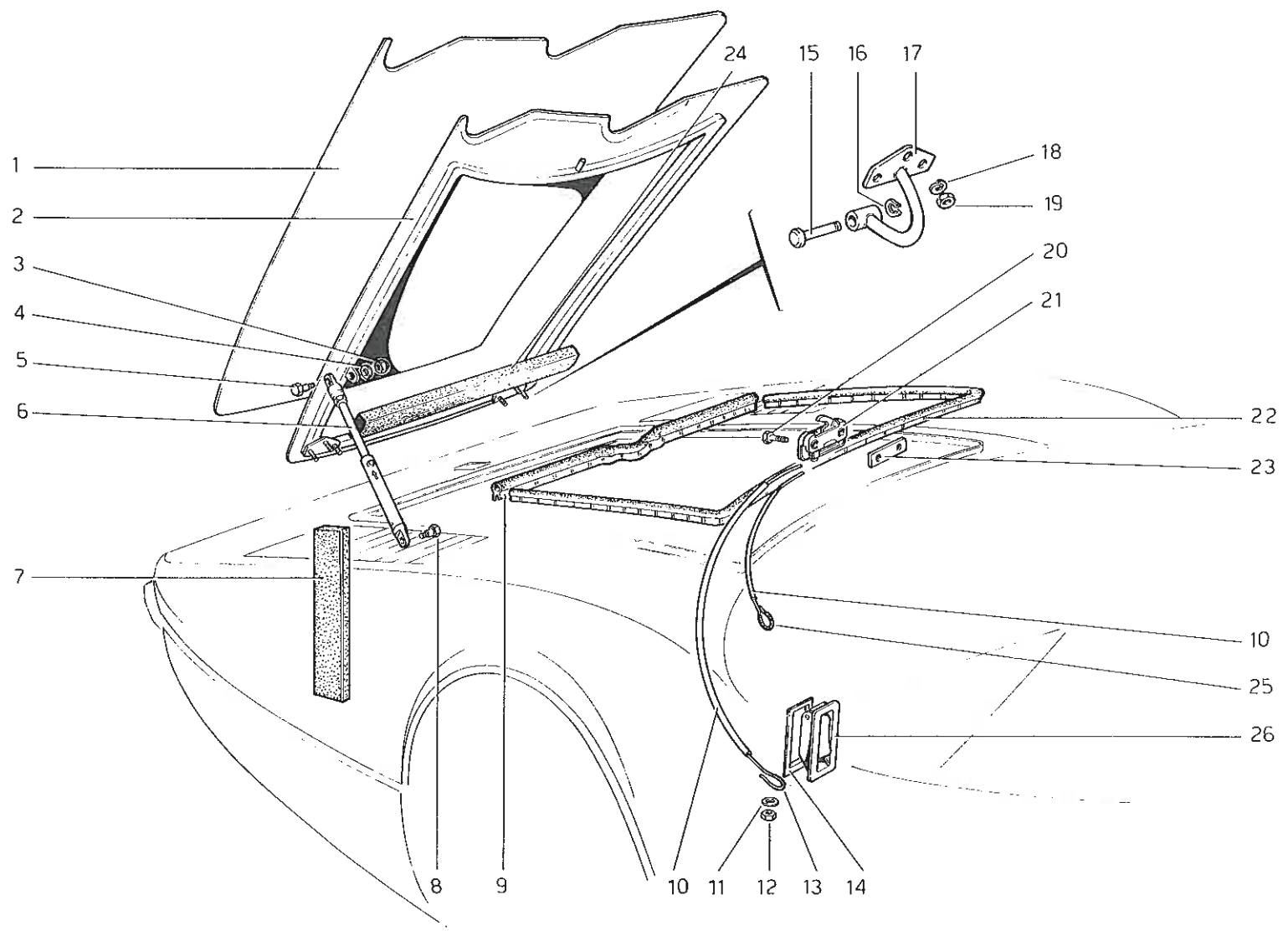


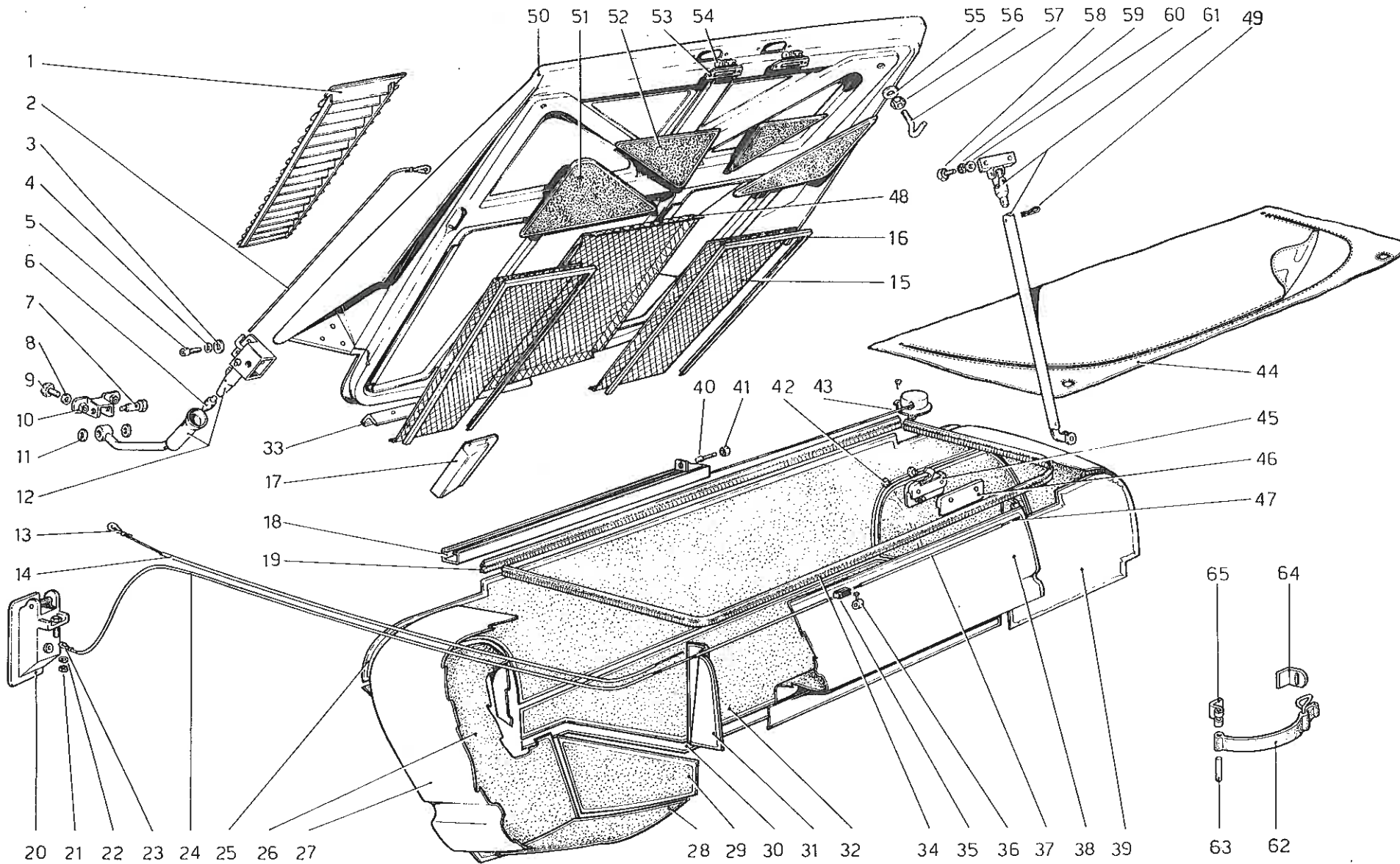


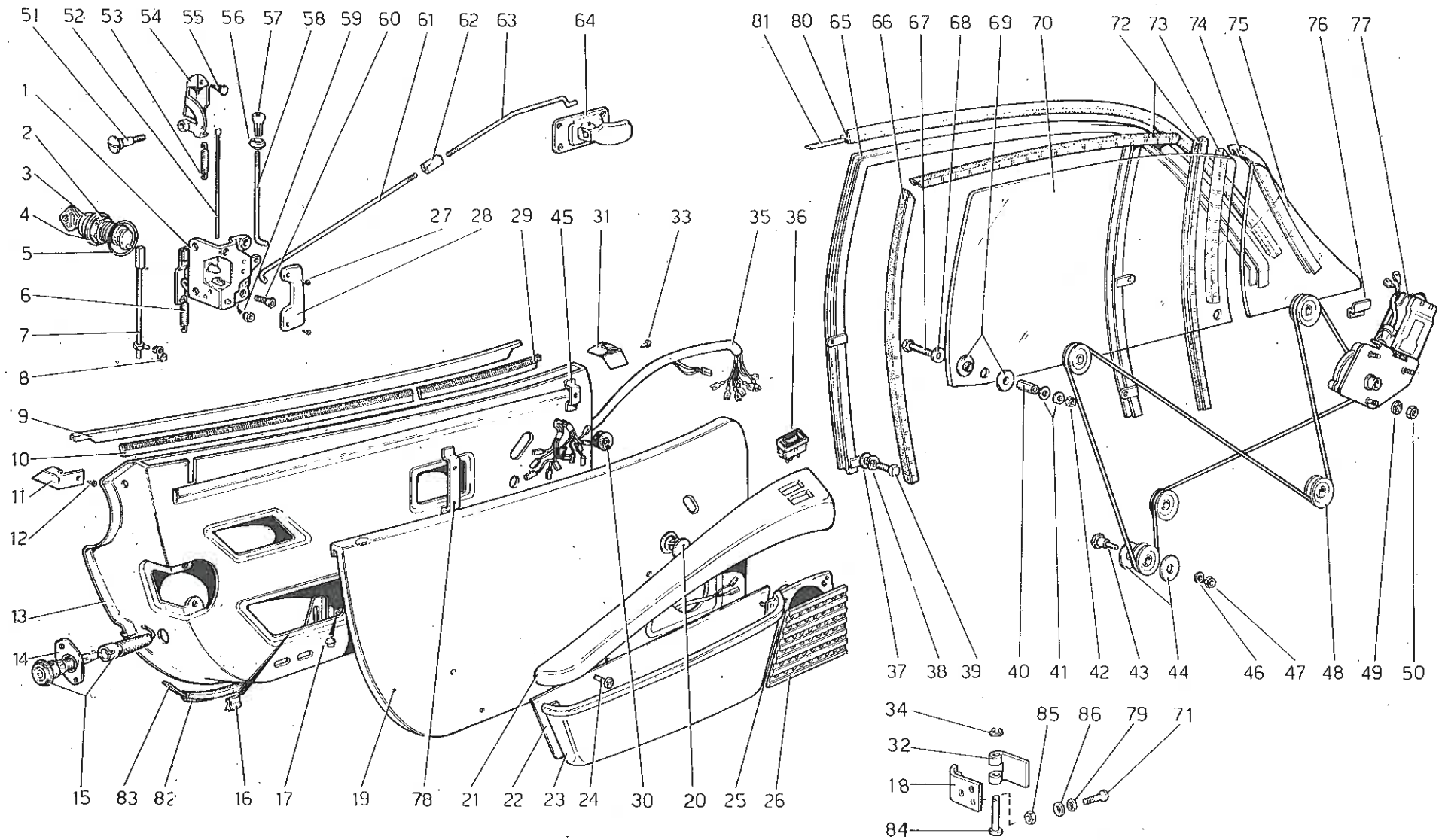


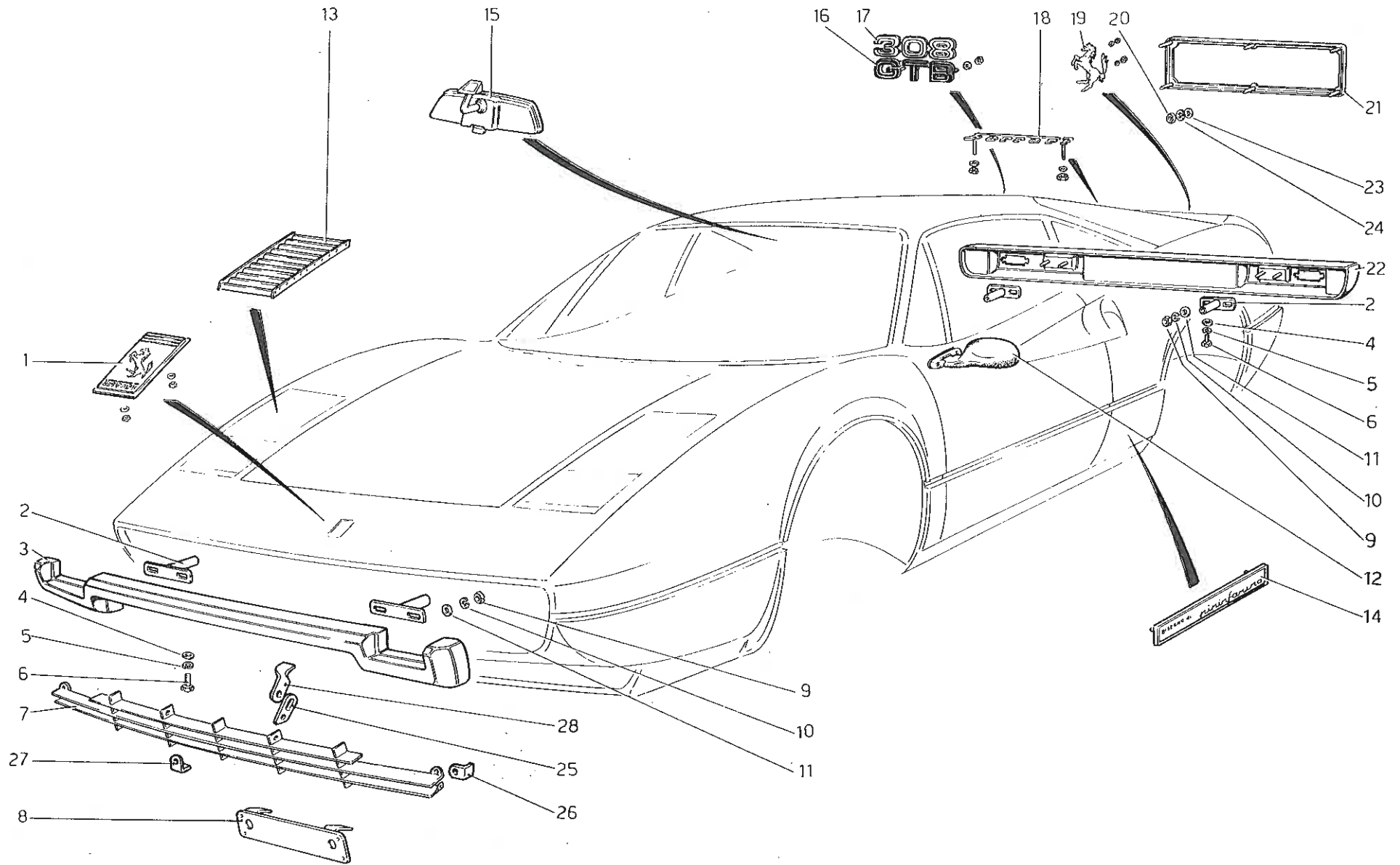


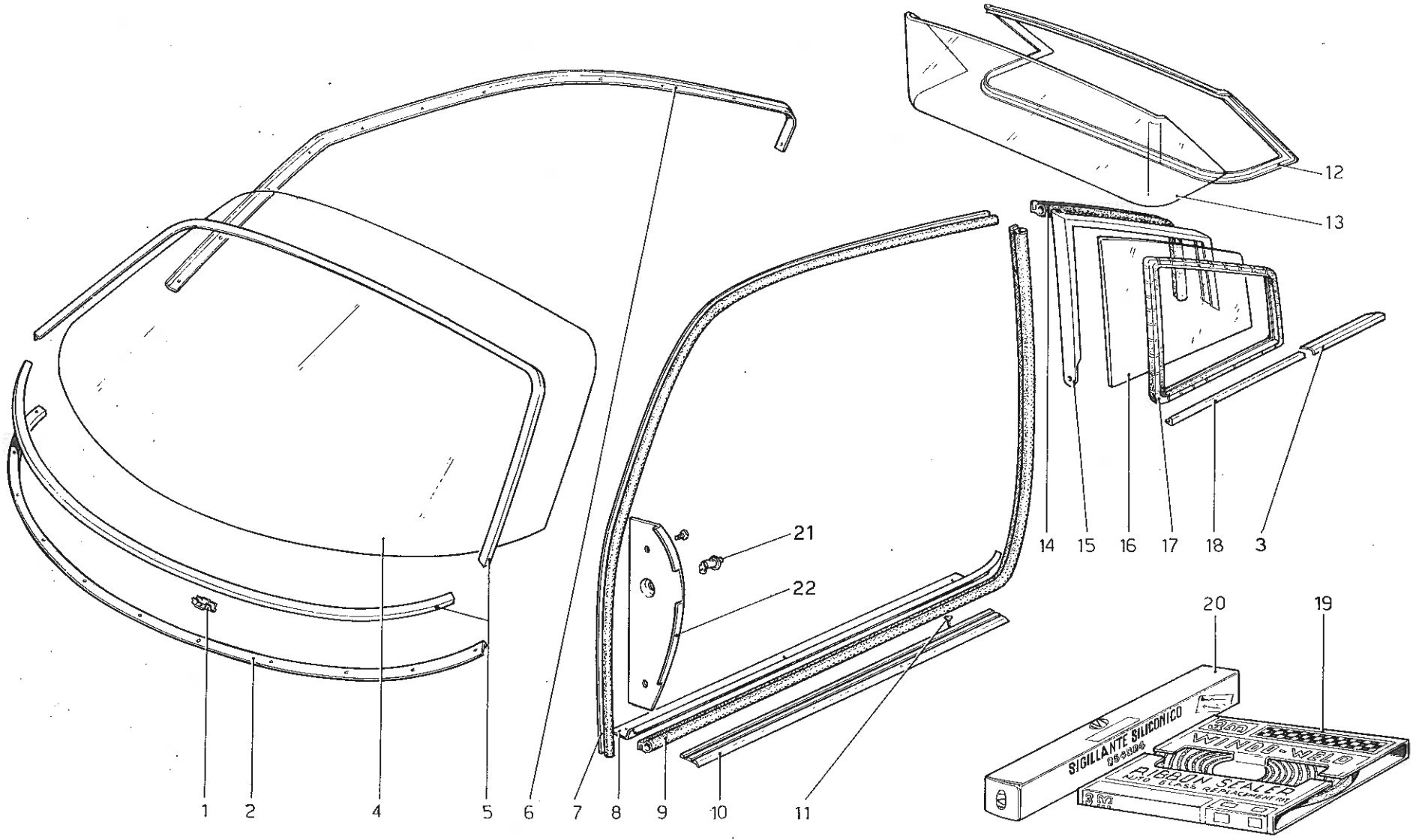


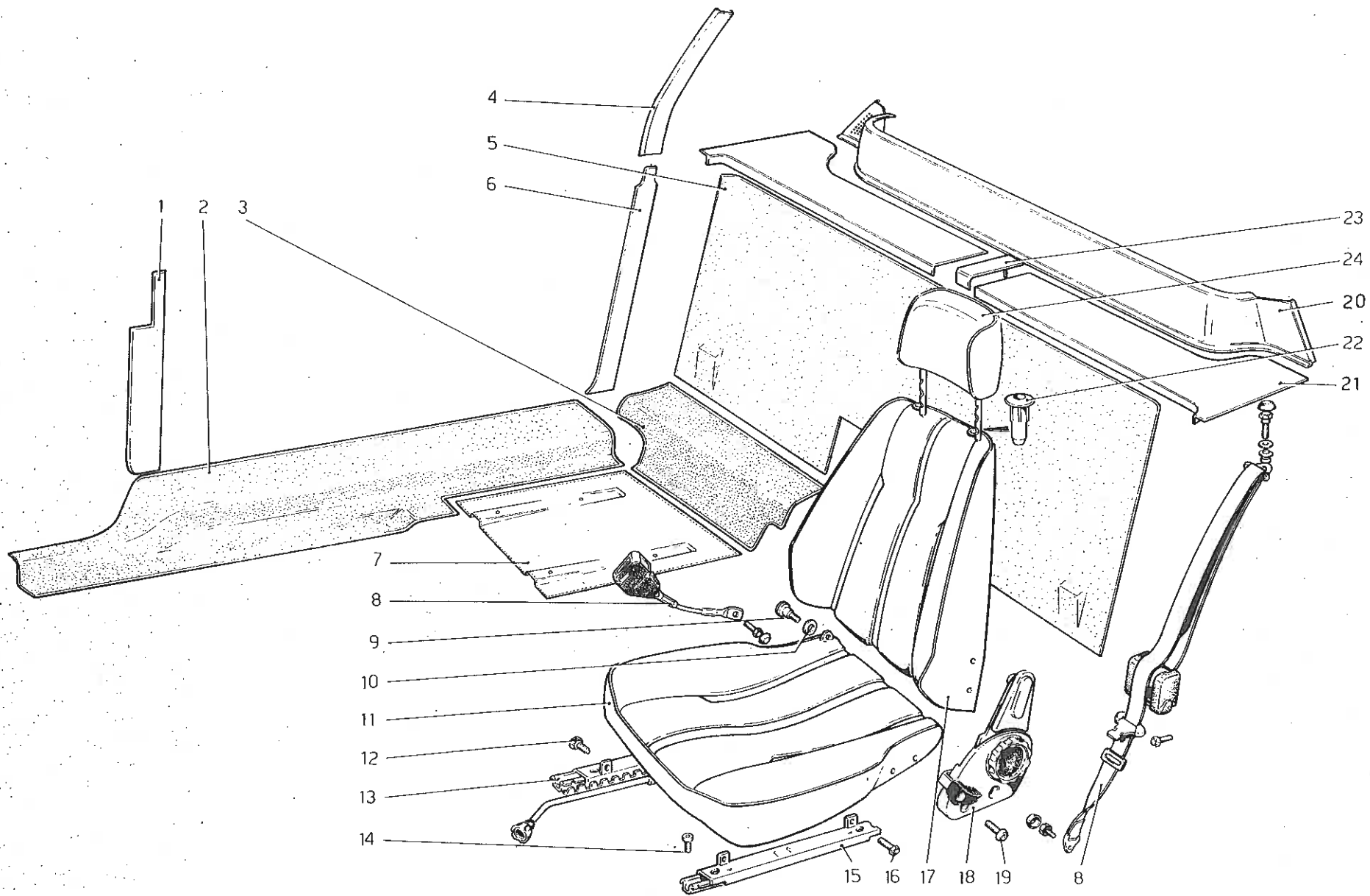


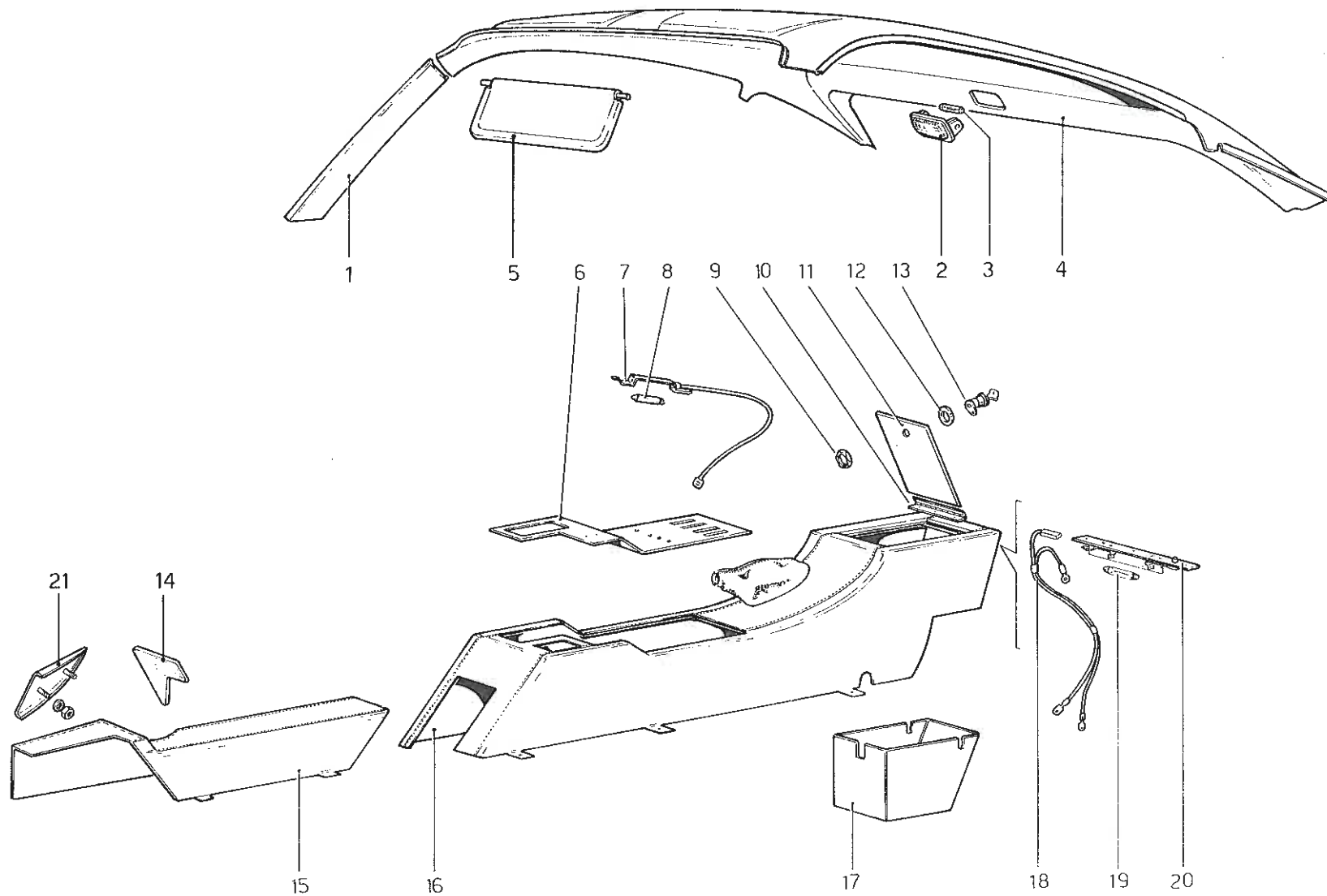


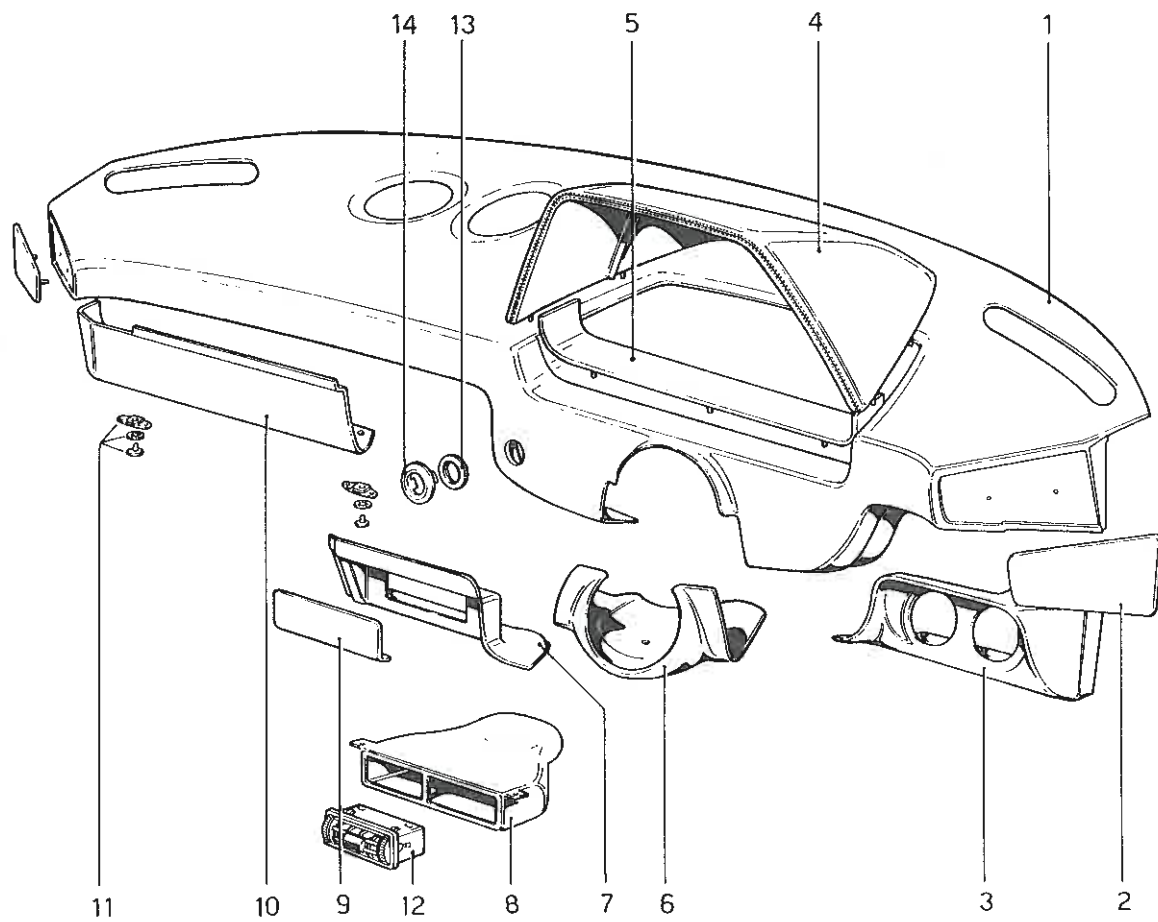


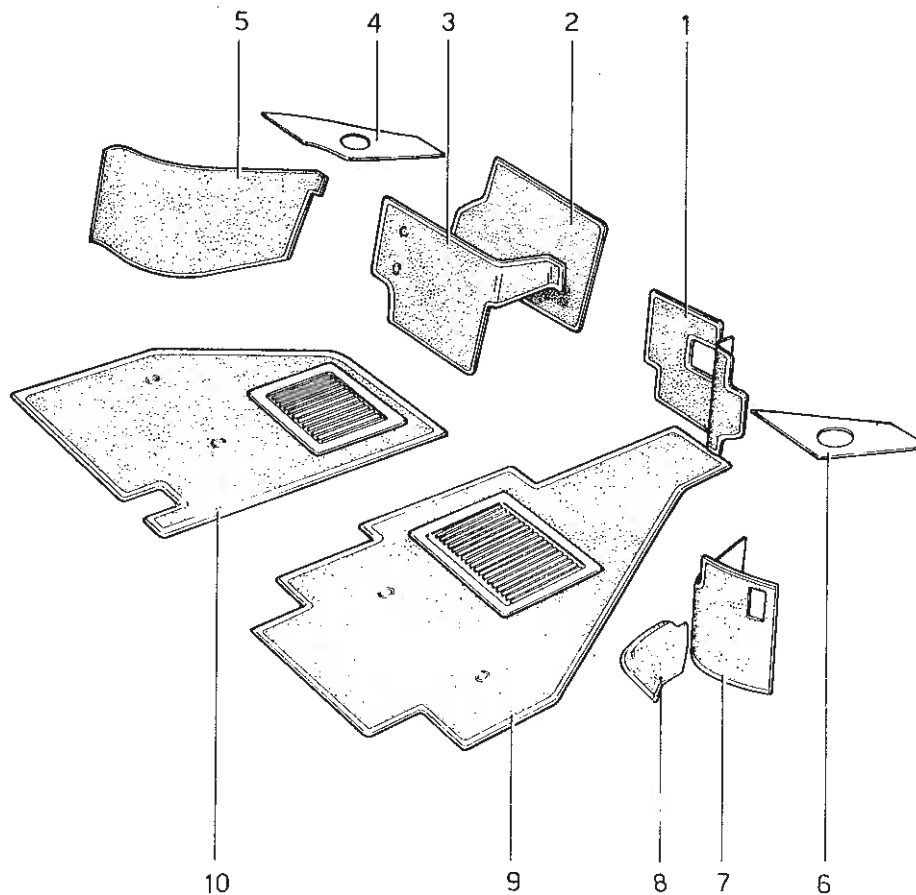







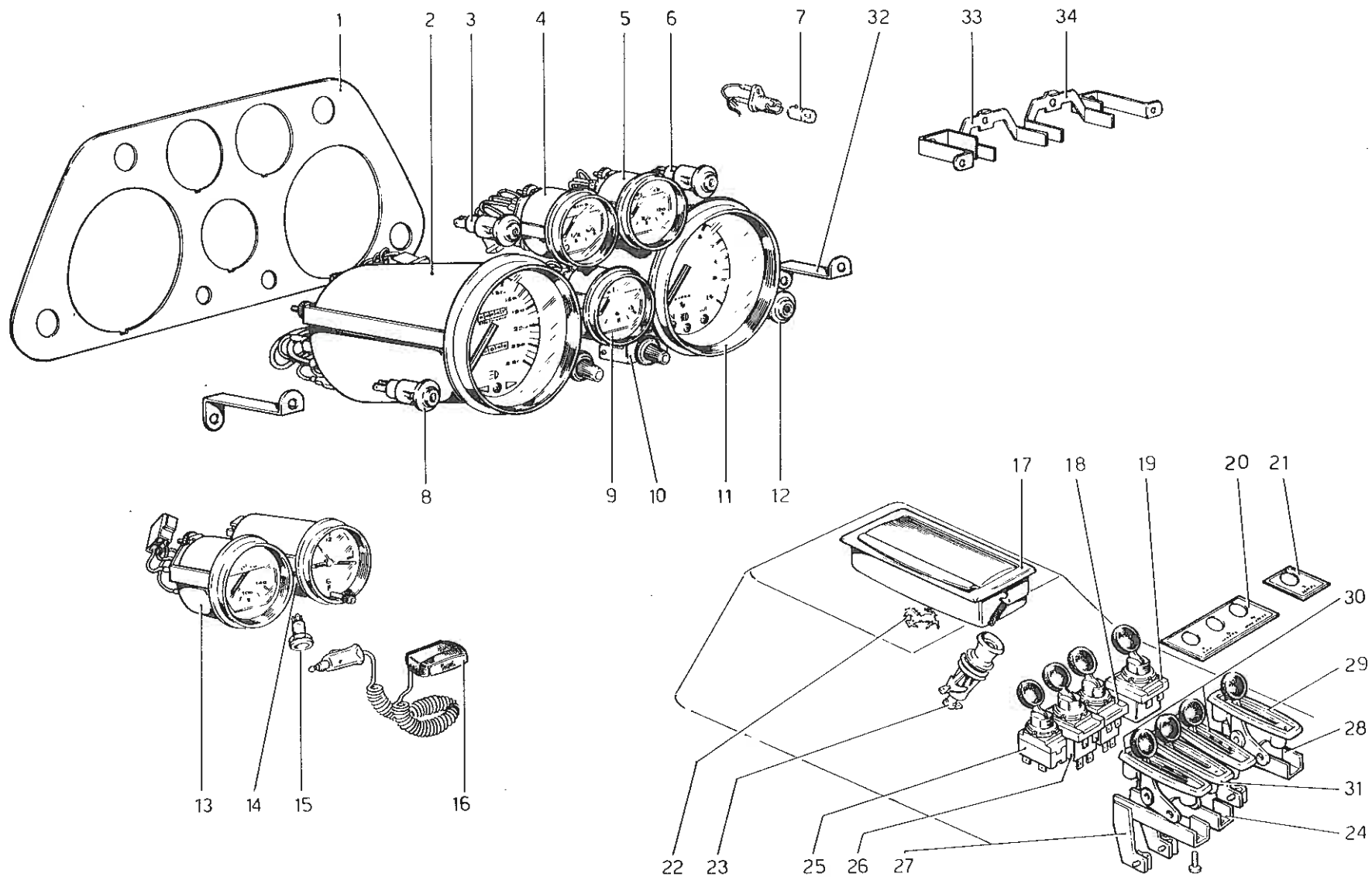


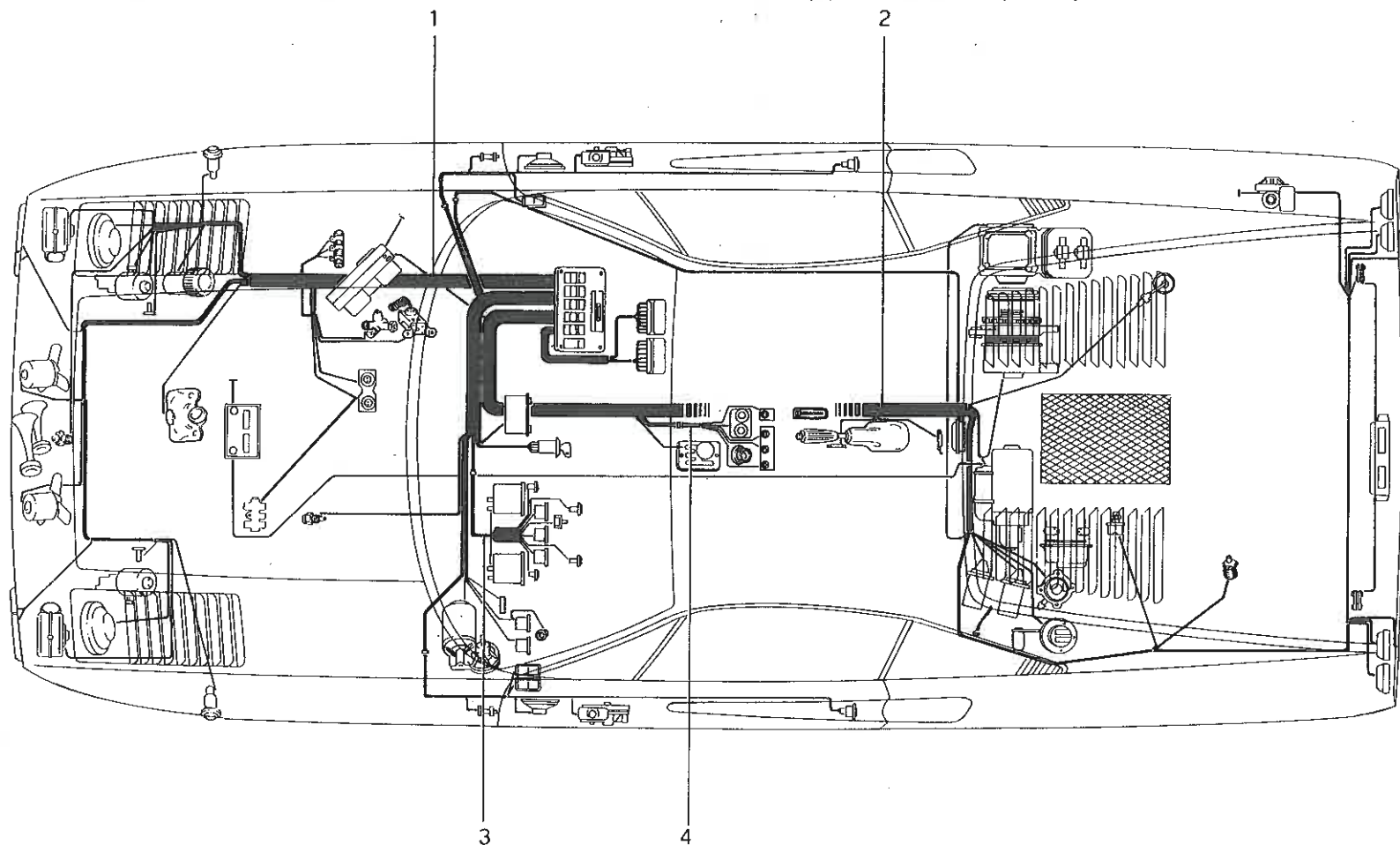






- 11 — 
- 12 — 
- 13 — 





Ferrari 308
GTB

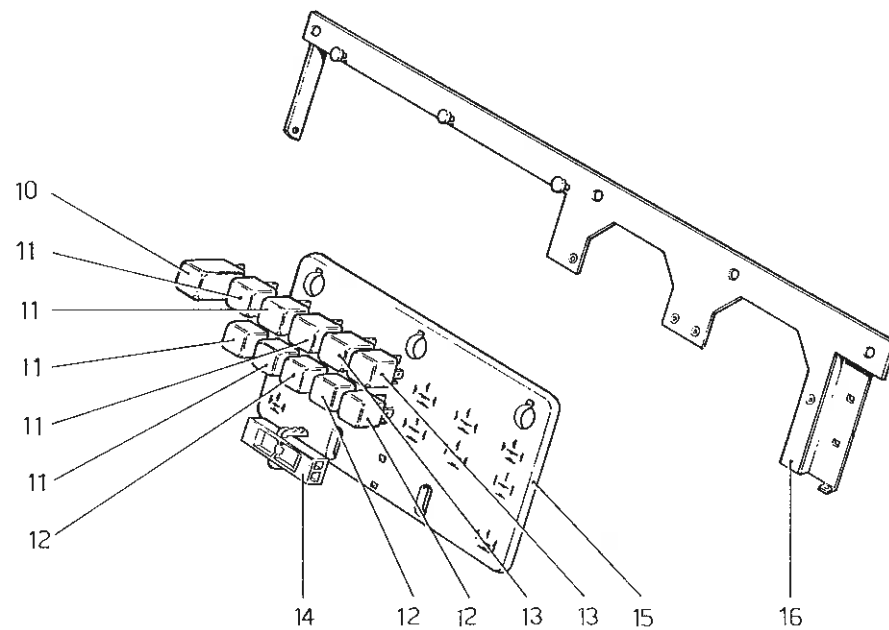
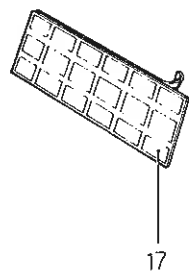
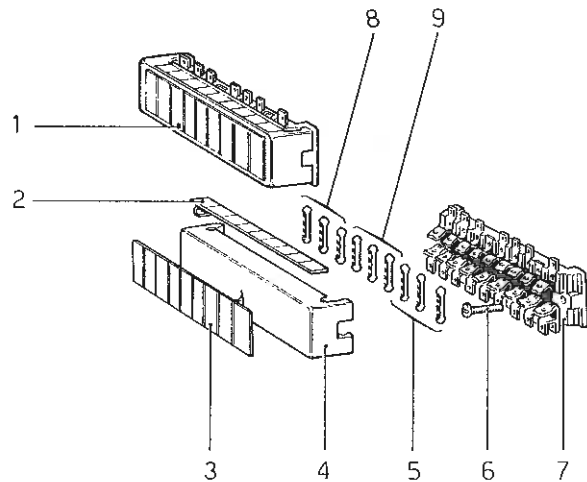
IMPIANTO ELETTRICO

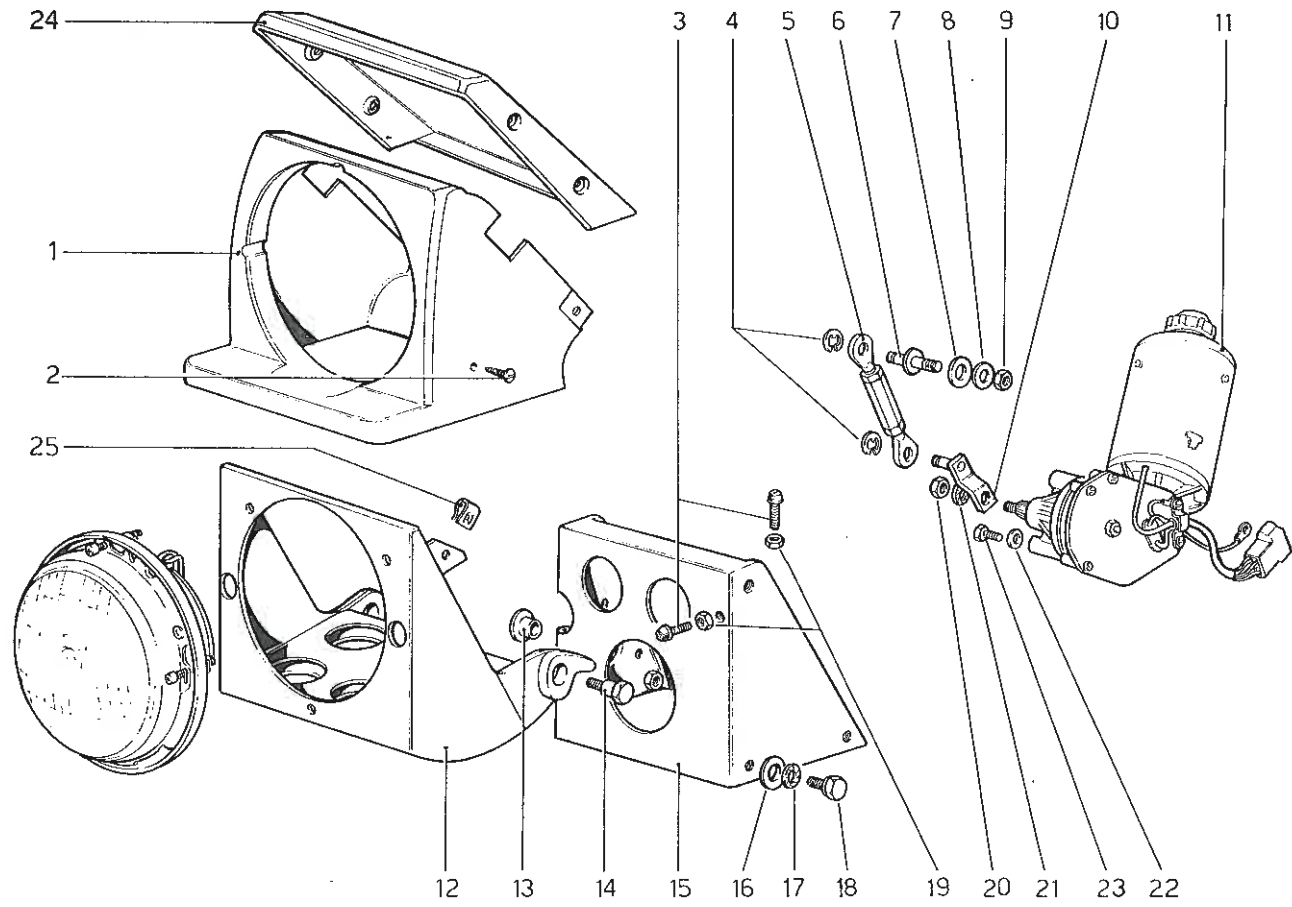
Note: _____

TAV. 166

ESPONENTE MODIFICA:

DATA: SETTEMBRE 1976





DISPOSITIVO ALZAFARI

Note: _____

TAV. 168
 ESPONENTE MODIFICA:
 DATA: **SETTEMBRE 1976**

